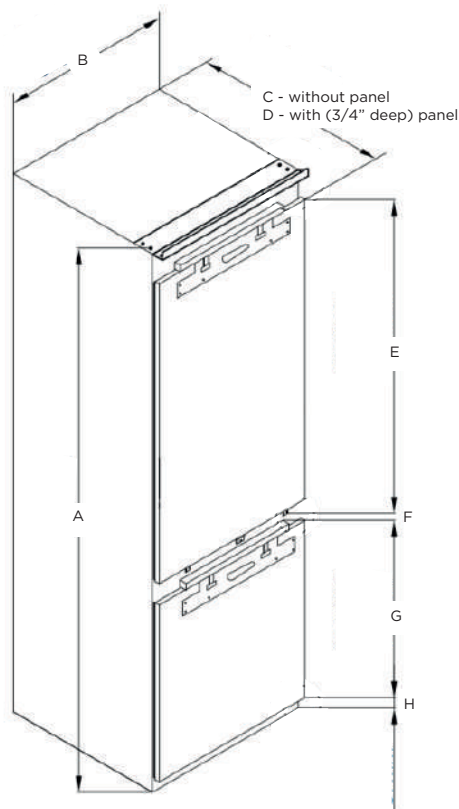


Dolomite 28"

Specification sheet

Bottom-mount, Built-In / Panel Ready refrigeration

MEASUREMENTS



DESCRIPTION

Upgrade your kitchen with the perfect blend of style, functionality, and innovation. Introducing our 28" Panel Ready Refrigerator with Bottom Mount Freezer boasting a convenient 12 CuFt Capacity.

It is more than an appliance; it's a statement of modern living with large storage space, adjustable temperature and perfect preservation for your food.

Elevate your kitchen with a seamlessly integrated appliance with Panel Ready Capabilities and unique 3D adjustment for perfect flush installation.



ER28SRB12IPR ER28SRB12XPR

	ER28SRB12IPR	ER28SRB12XPR
A	76	1/4" (193.7 cm)
B	27	3/16" (69 cm)
C	21	5/8" (55 cm)
D	22	3/8" (56.9 cm)
E	48	1/2" (123.2 cm)
F		1/4" (0.7 cm)
G	26	1/16" (66.1 cm)
H	1	7/16" (3.7 cm)

FEATURES

- Articulated hinge
- Quiet operation
- Panel ready
- Eco-mode
- Smart storage



GENERAL PROPERTIES

Width	28" Unit
Model	ER28SRB12IPR (with ice)** ER28SRB12XPR (without ice)
Dimensions	27 ³ / ₁₆ " W x 21 ⁵ / ₈ " D x 76 ¹ / ₄ " H
Cut Out Dimensions	28 ¹ / ₁₆ " W x 22 ¹ / ₁₆ " D x 76 ⁷ / ₁₆ " H
Weight	187 lbs (Net) - 197 lbs (Packaged)
Installation type	Built-In, Bottom Mount
Door Finish	Panel ready
Reversible Door	Field Reversible
Interior Finish	White plastic liner
Hinge Design	Articulating 90° opening flush hinge
Refrigerant type	R600A
Compressor	Donper
Total Capacity	12.0 cuft
Noise	Ultra Quiet 39 db(A)
Lighting	LED 6500K 200 lumens, 50 lumen for Freezer.
Controls	Electronic Soft-Touch Digital Black Glass display

ELECTRIC DATA

Electric	115V/60 Hz
Plug Type	NEMA 5-15 P plug
Power Cord Length	6.25 feet
Energy consumption	495 kw/year

REFRIGERATION ZONE

Fridge Capacity	9.0 cuft
Temperature range	+35°F (2°C) to 46°F (8°C) Chiller drawer 30°F (-1°C) to 41°F(5°C)
Shelving	3 Height adjustable cantilever Spill-Proof Glass shelves
Drawers	1 Humidity control Drawer + 1 Chiller Adjustable Temp Drawer
Door Storage	4 Height adjustable Bins

FREEZER ZONE

Freezer Capacity	3.0 cuft
Temperature range	+5°F (-15°C) to -11°F (-24°C)
Drawers	1 Large Freezer drawer 2 Medium Freezer drawer
IceMaker** (Depending on model)	Interior Automatic Icemaker (3.9 lbs/day with basket capacity 5 lbs)

OTHER FEATURES

Sabbath & Holiday Mode
ECO Mode
Soft close crisper & pantry drawers
Ultra Quiet operation
True Flush Install - 3D door adjustment
Cool Day LED interior light side walls & ceiling
Total NO-Frost fridge and freezer

KITS

Pro Handle Stainless Steel Kit	EPHKBSS
Tubular Handle Stainless Steel Kit	ETHKBSS

WARRANTY:¹ Two (2) Years Parts & In-Home Labor. Earn an additional One (1) Year of Parts & In-Home Labor by registering on elica.com



The product images shown are for illustration purposes only and may not be an exact representation of the product.
¹ For valid warranty extension, register within 3 months from purchase. For USA & Canada Users Only.