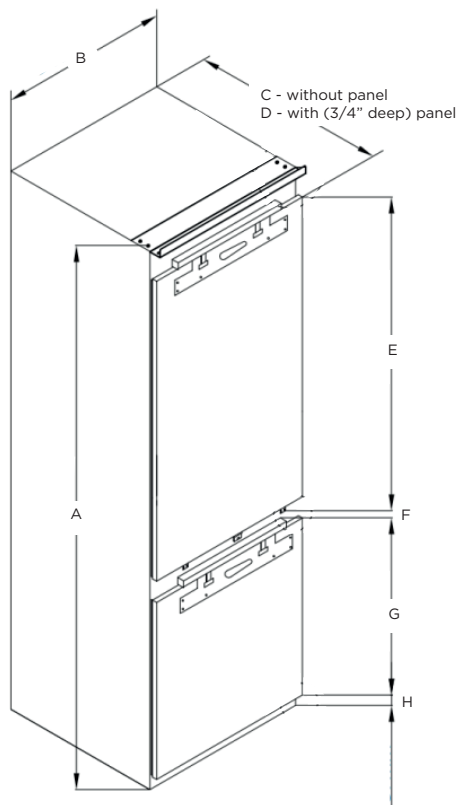


Dolomite 22"

Specification sheet

Bottom-mount, Built-In / Panel Ready refrigeration

MEASUREMENTS



DESCRIPTION

Upgrade your kitchen with the perfect blend of style, functionality, and innovation. Introducing our 22" Panel Ready Refrigerator with Bottom Mount Freezer boasting a convenient 8.4 CuFt Capacity.

It is more than an appliance; it's a statement of modern living with large storage space, adjustable temperature and perfect preservation for your food.






Elevate your kitchen with a seamlessly integrated appliance with Panel Ready Capabilities and unique 3D adjustment for perfect flush installation.



ER22SRB08IPR ER22SRB08XPR

	ER22SRB08IPR	ER22SRB08XPR
A	69 ⁵ / ₈ " (177.6 cm)	
B	21 ¹ / ₄ " (54 cm)	
C	21 ⁵ / ₈ " (55 cm)	
D	22 ³ / ₈ " (56.9 cm)	
E	40 ¹ / ₁₆ " (101.7 cm)	
F	⁹ / ₁₆ " (1.4 cm)	
G	26 ¹ / ₁₆ " (66.1 cm)	
H	1 ⁷ / ₁₆ " (3.7 cm)	

FEATURES

-  Articulated hinge
-  Quiet operation
-  Panel ready
-  Eco-mode
-  Smart storage

GENERAL PROPERTIES

Width	22" Unit
Model	ER22SRB08IPR (with/ice)** ER22SRB08IPR (with out/ice)
Dimensions	21 1/4" W x 21 5/8" D x 69 5/8" H
Cut Out Dimensions	22 1/16" W x 22 1/16" D x 70 1/8" H
Weight	133 lbs (Net) - 145 lbs (Packaged)
Installation type	Built-In, Bottom Mount
Door Finish	Panel ready
Reversible Door	Field Reversible
Interior Finish	White plastic liner
Hinge Design	Articulating 90° opening flush hinge
Refrigerant type	R600A
Compressor	Variable Speed with Inverter
Total Capacity	8.37 cuft
Noise	Ultra Quiet 41 db(A)
Lighting	LED 6500K 150 lumens
Controls	Electronic Soft-Touch Digital Black Glass display

ELECTRIC DATA

Electric	115V/60 Hz
Plug Type	NEMA 5-15 P plug
Power Cord Length	6.25 feet
Energy consumption	372 kw/year

REFRIGERATION ZONE

Fridge Capacity	6.0 cuft
Temperature range	+35°F (2°C) to 46°F (8°C) Chiller drawer 30°F (-1°C) to 41°F(5°C)
Shelving	2 Height adjustable cantilever Spill-Proof Glass shelves + Wine rack
Drawers	1 Humidity control Drawer + 1 Chiller Adjustable Temp Drawer
Door Storage	3 Height adjustable Bins

FREEZER ZONE

Freezer Capacity	2.37 cuft
Temperature range	+5°F (-15°C) to -11°F(-24°C)
Drawers	1 Large Freezer drawer 2 Medium Freezer drawer
IceMaker** (Depending on model)	Interior Automatic Icemaker (3.9 lbs/day with basket capacity 5 lbs)

OTHER FEATURES

Sabbath & Holiday Mode
ECO Mode
Soft close crisper & pantry drawers
Ultra Quiet operation
True Flush Install - 3D door adjustment
Cool Day LED interior light side walls & ceiling
Total NO-Frost fridge and freezer

KITS

Pro Handle Stainless Steel Kit	EPHKBSS
Tubular Handle Stainless Steel Kit	ETHKBSS

WARRANTY:¹**Two (2) Years Parts & In-Home Labor. Earn an additional One (1) Year of Parts & In-Home Labor by registering on elica.com**

The product images shown are for illustration purposes only and may not be an exact representation of the product.
¹ For valid warranty extension, register within 3 months from purchase. For USA & Canada Users Only.