

Asti 300-28

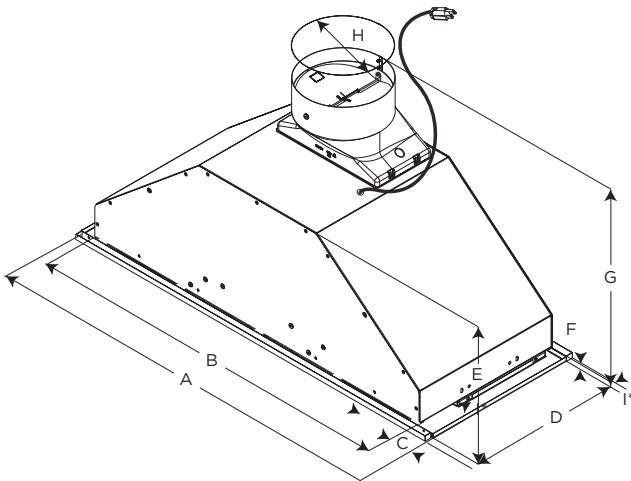
Specification sheet

Insert hood



Learn more

MEASUREMENTS



	EAS328S1
A	28" (71.8 cm)
B	23" (66.1 cm)
C	4 3/4" (2.9 cm)
D	10 3/4" (27.3 cm)
E	9 1/2" (24.2 cm)
F	1/8" (.95 cm)
G	14 9/16" (36.9 cm)
H	5 7/8" (15 cm)
I*	1/2" (1.2 cm)





I*- Stainless steel spacers must be installed and used when cabinet depth is greater than 12"

DESCRIPTION

Asti 300 is specifically created to be mounted discreetly inside cabinetry, with a perfect fit for 12" deep cabinetry and a 28" width, it is an excellent choice for kitchens with limited space or where the range hood needs to remain out of view. With a 300 CFM blower, Asti is capable of meeting most cooking needs. Its convenient mechanical push button controls operate the 3-speed blower and LED lighting, while its dishwasher-safe anodized aluminum mesh filters, ensure effortless maintenance. Asti is designed for both standard ducted and recirculating installations, now with a snap system that make it safer and easier to install.



FEATURES

-  **3x layer mesh**
-  **Led light**
-  **Super easy installation**
-  **Top or rear outlet**



GENERAL PROPERTIES

Width	28"
Model	EAS328S1
Dimensions	28 1/4"W x 10 3/4"D x 9 1/2"H
Blower Type ¹ (Internal)	300 CFM (3-speed)
Noise (Min-max sones) ¹	1.7-4.0 Sones
Electrical	120V-60Hz, 260W
Illumination	2 LED, 6.5W, 4000K, 235 Lumen
Finish	Stainless Steel
Controls	Mechanical push buttons
Grease filters	Dishwasher-Safe, Anodized aluminum mesh filter
Installation type	Ducted or recirculating with kit (sold separately)
Duct transition	6" round with back draft damper (top and rear)

KITS

Recirculating kit	KIT02770 (contains 2 carbon filters & 6" round deflector grate)
30" hood liner	KIT02773 (29"W x 17 1/2"-20 1/2"D x 4"H)
36" hood liner	KIT02774 (35"W x 17 1/2"-20 1/2"D x 4"H)

WARRANTY:² Two (2) Years Parts & In-Home Labor. Earn an additional One (1) Year of Parts & In-Home Labor by registering on elica.com



The product images shown are for illustration purposes only and may not be an exact representation of the product.

¹ CFM and Noise data indicate the performance of the hood blower tested according to international standards. For AHAM Certified Ratings, established in accordance with California Title 24 Standardized test procedure, please refer to AHAM Certified Product Directory. Electric Ratings are declared according to UL.

² For valid warranty extension, register within 3 months from purchase. For USA & Canada Users Only.