

# Bellagio

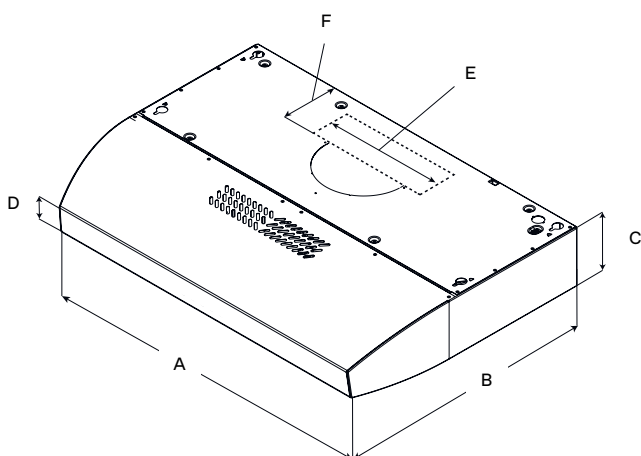
## Undercabinet hood

Specification sheet



Learn more

### MEASUREMENTS



	EBL430S2	EBL436S2
A	30" (76.2 cm)	36" (91.4 cm)
B	20" (50.8 cm)	
C	4 3/4" (12 cm)	
D	2 1/4" (5.7 cm)	
E	3 1/4" x 10" (8.3 x 25.4 cm)	
F	5 1/8" (13 cm)	




### DESCRIPTION

With a compact 4 3/4" height, Bellagio is an ideal choice where under-cabinet space is limited. Equipped with an upgraded 4-speed, 400 CFM internal blower that provides sufficient ventilation power, dishwasher-safe, anodized aluminum mesh filters, and multiple backlight color touch controls illuminated in elegant white, green, blue, or red.

Available in 30" or 36" width, Bellagio is designed for standard ducted installation, and can also be installed as a recirculating system using the Recirculating Kit, available as an accessory.



### FEATURES

-  3x layer mesh
-  Led light
-  CFM reduction system



#### GENERAL PROPERTIES

Width	30"	36"
Model	EBL430S2	EBL436S2
Dimensions	30"W x 20"D x 4 3/4"H	36"W x 20"D x 4 3/4"H
Blower Type <sup>1</sup> (Internal)	400 CFM (4-speed)	
Noise (Min-max sones) <sup>1</sup>	0.9-5.0 Sones	
Electrical	120V-60Hz, 445W	
Illumination	2 LED, 2.1W, 3000K, 180 Lumen	
Finish	Stainless Steel	
Controls	Electronic touch controls with adjustable color backlight	
Filters	2 Dishwasher-safe, anodized aluminum mesh filter	
Installation type	Ducted or recirculating wit kit (sold separately)	
Duct transition	3 1/4 x 10" (Top or Rear), or 7" round (sold separatley)	

#### KITS

Recirculating kit	KIT02178(contans 2 flat carbon filters & clips)	KIT02179(contans 2 flat carbon filters & clips)
Upgrade filter	GRI0131086A (contains 1 baffle slot filter)	GRI0131087A (contains 1 baffle slot filter)
Backdraft damper	KIT02723 (7" round)	

**WARRANTY:<sup>2</sup> Two (2) Years Parts & In-Home Labor. Earn an additional One (1) Year of Parts & In-Home Labor by registering on elica.com**



The product images shown are for illustration purposes only and may not be an exact representation of the product.

<sup>1</sup> CFM and Noise data indicate the performance of the hood blower tested according to international standards. For AHAM Certified Ratings, established in accordance with California Title 24 Standardized test procedure, please refer to AHAM Certified Product Directory. Electric Ratings are declared according to UL.

<sup>2</sup> For valid warranty extension, register within 3 months from purchase. For USA & Canada Users Only.