

Sora

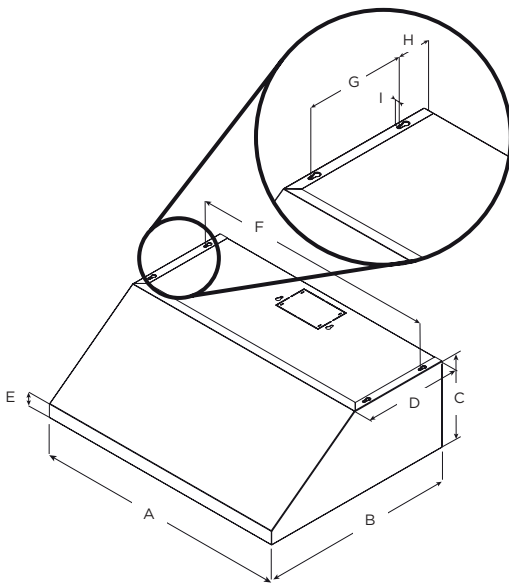
Undercabinet hood

Specification sheet



Learn more

MEASUREMENTS



| | ESR430S1 | ESR436S1 |
|---|--------------------|---------------|
| A | 30" (76.2 cm) | 36" (91.5 cm) |
| B | 23" (58.4 cm) | |
| C | 10" (25.4 cm) | |
| D | 11 1/16" (29.7 cm) | |
| E | 2 3/16" (5.5 cm) | |
| F | 29" (73.3 cm) | 35" (88.9 cm) |
| G | 7 1/2" (19 cm) | |
| H | 2 9/16" (6.5 cm) | |
| I | 3/8" (1 cm) | |

DESCRIPTION

Available in 30" and 36" widths and only 10" high, the Sora offers professional styling and adequate power for most cooking needs. Sora features a 400 CFM blower with a dishwasher Stainless steel semi-baffle slot filters, LED lighting, and rocker switch controls for convenience and safety. Sora is sure to deliver easy maintenance, higher efficiency, and a cleaner kitchen.



FEATURES

- Semi baffle filter
- Led light



GENERAL PROPERTIES

| | | |
|--|---|--------------------|
| Width | 30" | 36" |
| Model | ESR430S1 | ESR436S1 |
| Dimensions | 30"W x 23"D x 10"H | 36"W x 23"D x 10"H |
| Blower Type ¹ (Internal) | 400 CFM (2-speed) | |
| Noise (Min-max sones) ¹ | 0.4-5.0 Sones | |
| Electrical | 120V-60Hz, 265W | |
| Illumination | 2 LED, 2.1W, 3000K, 235 Lumen | |
| Finish | Stainless Steel | |
| Controls | Rocker switches | |
| Filters | Dishwasher-safe stainless steel semi baffle slot | |
| Installation type | Ducted or recirculating wit kit (sold separately) | |
| Duct transition | 3 1/4" x 10" (top or rear) with Backdraft damper | |

KITS

| | |
|-------------------|--|
| Recirculating kit | KIT02770 (contains 2 round carbon filters & cabinet grate) |
| CFM Reduction kit | KIT0175561 (achieves <300CFM) |

WARRANTY:² Two (2) Years Parts & In-Home Labor. Earn an additional One (1) Year of Parts & In-Home Labor by registering on elica.com



The product images shown are for illustration purposes only and may not be an exact representation of the product.

¹ CFM and Noise data indicate the performance of the hood blower tested according to international standards. For AHAM Certified Ratings, established in accordance with California Title 24 Standardized test procedure, please refer to AHAM Certified Product Directory. Electric Ratings are declared according to UL.

² For valid warranty extension, register within 3 months from purchase. For USA & Canada Users Only.