

Toblino 24

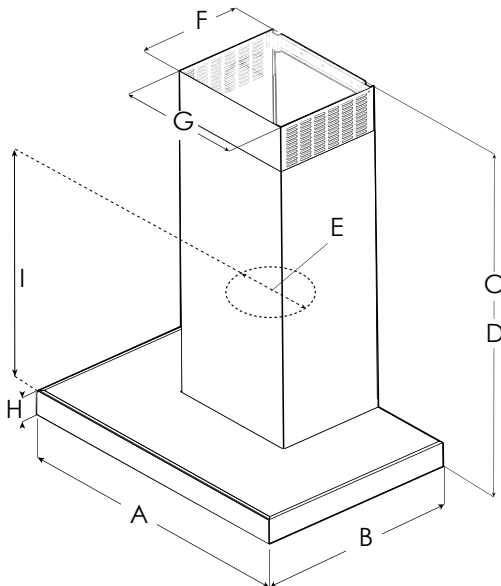
Wallmount hood

Specification sheet



Learn more

MEASUREMENTS



ETB424SS

A	24" (60.9 cm)
B	19 1/16" (50 cm)
C*	Min: 20 3/4" (52.7 cm) Max: 35" (89 cm)
D**	Min: 20 1/2" (52.2 cm) Max: 31 3/16" (79.2 cm)
E	6" (15.24 cm)
F	10 3/4" (27 cm)
G	13" (33 cm)
H	1 5/8" (4 cm)
I	15 5/8" (38.9 cm)

*Ductless (recirculating)

** Ducted version

DESCRIPTION

Toblino, with its super sleek hood design that's only 2" high, is the perfect complement for modern kitchen designs featuring sharp, futuristic architectural lines. Available in a 24" width, Toblino features backlit push button controls, LED lights, and a 3-speed blower.

Toblino also includes a telescopic chimney for ceilings up to 8'5". Designed for standard ducted installation, it can also be installed as a recirculating system using the optional kit.



FEATURES

≡↑ 3x layer mesh

☾ Led light



GENERAL PROPERTIES

Width	24"
Model	ETB424SS
Dimensions	24"W x 19 1/16"D x min:20 3/4" max:35"H
Blower Type ¹ (Internal)	400 CFM (3-speed)
Noise (Min-max sones) ¹	0.4-5.9 Sones
Electrical	120V-60Hz,265W
Illumination	2 LED, 2.1W, 3000K
Finish	Stainless Steel
Controls	Electronic silver push button with white illumination
Grease filters	Dishwasher-Safe, Anodized aluminum mesh filter
Installation type	Ducted or recirculating with kit (sold separately)
Duct transition	6" round with backdraft damper (sold separately)
Telescopic chimney	Can reach ceiling heights for heights 6'11"-8'7" (ducted),7'0"-8'11" (recirculating)

KITS

Chimney extension	KIT02785 (Reaches ceiling heights of 8'5"-12'1" (ducted), 8'9"-12'5"(recirculating)) KIT01935 (Reaches ceiling heights of 7'5"-10'5" (ducted), 7'9"-10'9"(recirculating))
Recirculating kit	KIT0184663 (contains 6" deflector & 3 flat carbon filters & clips)
Upgrade filter kit	GF04YB (Contains 1 filter)
CFM Reduction	KIT0175561 (achieves <300 CFM)

WARRANTY:² Two (2) Years Parts & In-Home Labor. Earn an additional One (1) Year of Parts & In-Home Labor by registering on elica.com



The product images shown are for illustration purposes only and may not be an exact representation of the product.

¹ CFM and Noise data indicate the performance of the hood blower tested according to international standards. For AHAM Certified Ratings, established in accordance with California Title 24 Standardized test procedure, please refer to AHAM Certified Product Directory. Electric Ratings are declared according to UL.

² For valid warranty extension, register within 3 months from purchase. For USA & Canada Users Only.