

Maggiore

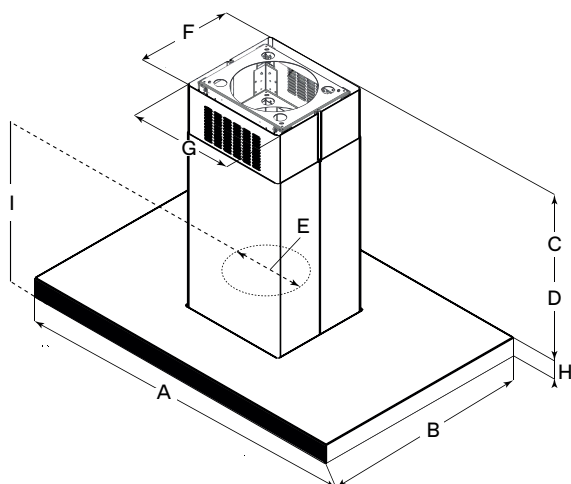
Island hood

Specification sheet



Learn more

MEASUREMENTS



	EMG636S1	EMG642S1
A	36" (91.4 cm)	42" (106.7 cm)
B	27 1/8" (68.9 cm)	
C*	Min: 29 13/16" (75.72 cm) Max: 50 1/8" (127.32 cm)	
D**	Min: 29 13/16" (75.72 cm) Max: 44 7/8" (114 cm)	
E	6" (15.2 cm)	
F	12" (30.4 cm)	
G	13" (33.2 cm)	
H	2 3/8" (6 cm)	

*Ductless (recirculating)
**Ducted version

DESCRIPTION

With a minimalist design and strong stainless steel construction, Maggiore complements avant-garde appliances where clear and architectural lines take precedence. Maggiore features a powerful 600 CFM blower, dimmable LED lights, stainless steel microhole filters, and high-tech glass touch controls for convenience and safety. Designed for standard ducted installation, Maggiore can also be installed as a recirculating system using the optional Recirculating Kit.



FEATURES

- 🔇 Hush system
- 💡 Dim light
- 🌀 Top performance
- 👆 Touch controls
- 🔇 CRS CFM reduction system
- 💡 Led light



GENERAL PROPERTIES

Width	36"	42"
Model	EMG636S1	EMG642S1
Dimensions	36"W x 27 1/8"D x min 29 13/16" max 50 1/8"H	42"W x 27 1/8"D x min 29 13/16" max 50 1/8"H
Blower Type (Internal) ¹	600 CFM (3-speed+ boost)	
Noise (Min-max sones) ¹	1.7-6.8 Sones	
Electrical	120V-60Hz, 426W	
Illumination	4 premium dimmable LED, 2.1W, 4000K	
Finish	Stainless Steel with black tempered glass	
Controls	Multi-function Electronic with black glass touch display	
Grease filters	3 stainless steel microhole filter	
Installation type	Ducted or recirculating with kit (sold separately)	
Telescopic chimney	Can reach ceiling heights of min 7'6", max 9'9" (ducted out) & min 7'6", max 10'2" (recirculating)	
Duct transition	Round 6" (top only)	

KITS

Recirculating Kit	KIT02665 (Contains 6"/8" deflector & 2 round carbon filters)
Chimney Extension	KIT0100317 (Can reach 8'9" - 12'8" (ducted), 9'2"-12'9" (recirculating))

WARRANTY:² Two (2) Years Parts & In-Home Labor. Earn an additional One (1) Year of Parts & In-Home Labor by registering on elica.com



The product images shown are for illustration purposes only and may not be an exact representation of the product.
¹ CFM and Noise data indicate the performance of the hood blower tested according to international standards. For AHAM Certified Ratings, established in accordance with California Title 24 Standardized test procedure, please refer to AHAM Certified Product Directory. Electric Ratings are declared according to UL.

² For valid warranty extension, register within 3 months from purchase. For USA & Canada Users Only.