

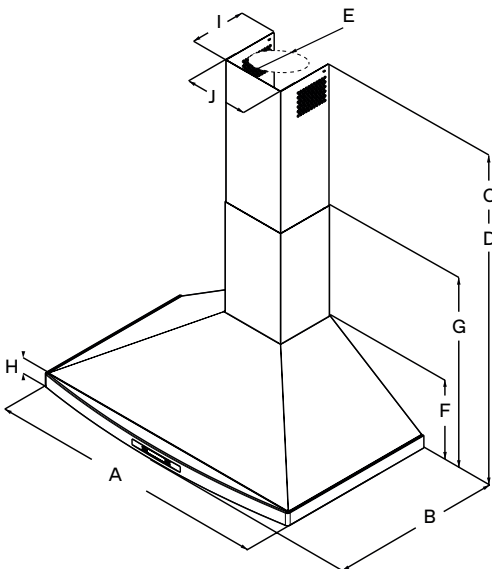
# Pilato

## Wallmount hood



Learn  
more

### MEASUREMENTS



	EPL630S2	EPL636S2
A	30" (76.2 cm)	36" (91.4 cm)
B	21 1/2" (54.7 cm)	
C*	Max: 42 1/8" (107 cm) Min: 28 3/8" (72.1 cm)	
D**	Max: 38 3/8" (97 cm) Min: 28 3/8" (73 cm)	
E	6" (15.2 cm)	
F	10" (25.4 cm)	
G	24 1/8" (21.5 cm)	
H	1 1/2" (4 cm)	
I	7 1/4" (18.4 cm)	
J	8 1/8" (20.7 cm)	

\*Ductless (recirculating)

\*\*Ducted version

### DESCRIPTION

The rounded front, beautifully sloping angles, and stainless steel finish of Pilato make a striking visual statement. Available in 30" or 36" widths, Pilato features a powerful 600 CFM blower, 2 LED lights, dishwasher-safe stainless steel microhole filters, and multi-function electronic controls with an LCD display for convenience and safety.

Designed for standard ducted installation, Pilato can also be installed as a recirculating system using the Recirculating Kit, available as an accessory.



### FEATURES

Hush system

Dim light

Top performance

Led light

CFM reduction system



### GENERAL PROPERTIES

Width	30"	36"
Model	EPL630S2	EPL636S2
Dimensions	30"W x 21 1/2"D x min 28 3/8" max 42 1/16"H	36"W x 21 1/2"D x min 28 3/8" max 42 1/16"H
Blower Type (Internal) <sup>1</sup>	600 CFM (3-speed+ boost)	
Noise (Min-max sones) <sup>1</sup>	1.7-6.8 Sones	
Electrical	120V-60Hz, 450W	
Illumination	2 premium dimmable LED, 6.5W, 3000K	
Finish	Stainless Steel with black tempered glass	
Controls	Multi-function Electronic with black glass touch display	
Grease filters	Stainless steel microhole filter	
Installation type	Ducted or recirculating with kit (sold separately)	
Telescopic chimney	Can reach ceiling heights of min 7'5", max 9'2" (ducted out) & min 7'5", max 9'6" (recirculating)	
Duct transition	Round 6" top discharge (top)	

### KITS

Recirculating Kit	KIT02766 (Contains 6" deflector & 2 round carbon filters)
Chimney Extension	KIT02762 (Can reach 8'5"-11'3" (ducted), 8'7"-11'7" (recirculating))

**WARRANTY:<sup>2</sup> Two (2) Years Parts & In-Home Labor. Earn an additional One (1) Year of Parts & In-Home Labor by registering on elica.com**



The product images shown are for illustration purposes only and may not be an exact representation of the product.

<sup>1</sup> CFM and Noise data indicate the performance of the hood blower tested according to international standards. For AHAM Certified Ratings, established in accordance with California Title 24 Standardized test procedure, please refer to AHAM Certified Product Directory. Electric Ratings are declared according to UL.

<sup>2</sup> For valid warranty extension, register within 3 months from purchase. For USA & Canada Users Only.