

Salice

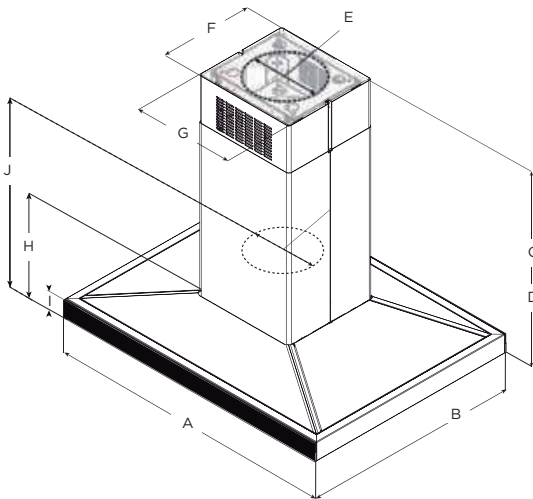
Island hood

Specification sheet



Learn
more

MEASUREMENTS



	ESL636S3	ESL642S3
A	36" (91.4 cm)	42" (106.7 cm)
B	27 7/16" (69.6 cm)	
C*	Min: 32 7/16" (82.3 cm) Max: 52 7/16" (133.1 cm)	
D**	Min: 32 7/16" (82.3 cm) Max: 46 1/2" (118.1 cm)	
E	6" (15.24 cm)	
F	12 1/8" (30.8 cm)	
G	13 3/16" (33.5 cm)	
H	4 9/16" (12.6 cm)	
I	2 3/8" (6 cm)	
J	18 5/8" (47.2 cm)	

*Ductless version (recirculating)

**Ducted version

DESCRIPTION

Salice conveys understated elegance with a gently tapered canopy that measures only 5" tall, opening up the kitchen for entertainment and conversation. Available in 36" and 42" widths, Salice features a powerful 600 CFM blower, dimmable LED lighting, perimeter aspiration, and high-tech glass touch controls for convenience and safety. Designed for ducted installation, Salice can also be installed as a recirculating system using the optional Recirculating Kit.



FEATURES

- ✂️ CFM reduction system
- 🔊 Hush system
- 🌀 Perimeter aspiration
- 💡 Led light
- ⚡ Top performance
- 💡 Dim light
- 👆 Touch controls



GENERAL PROPERTIES

Width	36"	42"
Model	ESL636S3	ESL642S3
Dimensions	36"W x 27 7/16"D x min 32 7/16 max 52 7/16"H	42"W x 27 7/16"D x min 32 7/16 max 52 7/16"H
Blower Type (Internal) ¹	600 CFM (3-speed + boost)	
Noise (Min-max sones) ¹	1.7-6.8 Sones	
Electrical	120V-60Hz, 540W	
Illumination	4 premium dimmable LED, 2.1W, 4000K	
Finish	Stainless Steel with black tempered glass	
Controls	Multi-function Electronic with black glass touch display	
Grease filters	Dishwasher-Safe, anodized aluminum mesh filters + perimeter aspiration	
Installation type	Ducted or recirculating with kit (sold separately)	
Duct transition	Round 6" top discharge	
Telescopic chimney	Can reach ceiling heights of min 7'9", max 9'11" (ducted out) & min 7'9", max 10'4" (recirculating)	

KITS

Recirculating Kit	KIT0141924 (Contains 6" deflector, 3 flat carbon filters & clips)
Long chimney extension	KIT0100317 (Can reach 9'0"-12'10" (ducted), 9'4"-13'0" (recirculating))

WARRANTY:* Two (2) Years Parts & In-Home Labor. Earn an additional One (1) Year of Parts & In-Home Labor by registering on elica.com**



The product images shown are for illustration purposes only and may not be an exact representation of the product.
¹ CFM and Noise data indicate the performance of the hood blower tested according to international standards. For AHAM Certified Ratings, established in accordance with California Title 24 Standardized test procedure, please refer to AHAM Certified Product Directory. Electric Ratings are declared according to UL.

² For valid warranty extension, register within 3 months from purchase. For USA & Canada Users Only.