



ARGO | Insert Range Hood

Discreet mounting inside cabinetry.

SKU: AAR428SSB | CATEGORY: Insert

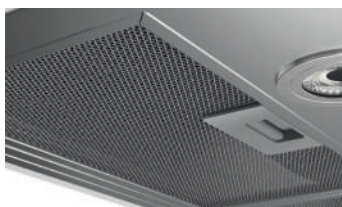
Argo fits perfectly inside standard 12" deep cabinetry. It is ideal for kitchens where space is limited, or where the range hood needs to be out-of-sight. Argo comes equipped with a powerful 400 CFM blower that can handle most cooking needs. Convenient push-button controls operate the 3-speed blower and LED lighting, while dishwasher safe anodized aluminum mesh filters offer easy maintenance.



2 LED lamps with 1 light intensity that safely illuminates the cooking area.



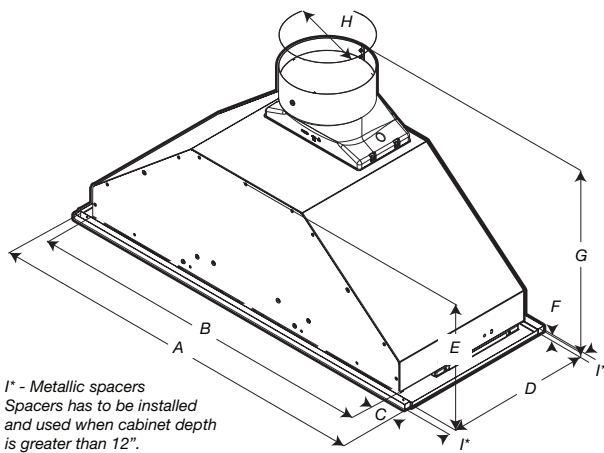
Electronic Push buttons with white backlight



Dishwasher-safe, Anodized Aluminum Mesh filters.

FEATURES

Size (in)	28-1/4"
Dimensions	28-1/4"W x 10-3/4"D x 9-1/2"H
Finish	Stainless Steel
Controls	Electronic Push buttons with white backlight
Illumination	2 LED lamps (700 mA & 2.1 W, 3000 Kelvin and 235 Lumens / Lamp) 1 Light Intensity,
Blower Performance**	400 CFM, 3-Speed Internal Blower Min 0.7 - Max 6.6 sones (Noise)
Filter Type	2, Dishwasher-Safe, Anodized Aluminum Mesh Filters
Duct Transition	6" (Round, Top)
Electrical	120V - 60 Hz 265 Watt at 2.2 Amps
Accessories	KIT02770 Recirculating Kit - Contains 2 round carbon filters & cabinet grate KIT02773 Hood Liner, 29" x 17 1/2" - 20 1/2" D x 4" H KIT02774 Hood Liner, 35" X 17 1/2" - 20 1/2" D x 4" H KIT0175561 Electronic CFM Reduction Bypass Kit (Achieves less than 300 CFM)



AAR428SSA	
A	28 1/4" (71.8 cm)
B	26" (66 cm)
C	1 1/8" (2.9 cm)
D	10 3/4" (27.3 cm)
E	9 1/2" (24.2 cm)
F	5/16" (.85 cm)
G	14 9/16" (37 cm)
H	6" (15.2 cm)
I	1/2" (1.27 cm)

DESIGNED IN ITALY, MADE IN NORTH AMERICA

Two (2) Years Warranty
Parts & In-Home Labor.

* The product images shown are for illustration purposes only and may not be an exact representation of the product.
** CFM and Noise data indicate the performance of the hood blower tested according to international standards. For AHAM Certified Ratings, established in accordance with California Title 24 Standardized test procedure, please refer to AHAM Certified Product Directory. Electric Ratings are declared according to UL.