

arietta



LAZIO | Wall - Mount Range Hood

Classic design and strong lines

SKU: ALZ430SSB, ALZ436SSB
CATEGORY: Wall-Mount

The Lazio 36" Wall Mounted Range Hood by Arietta, also available in a 30" width, features a classic design and strong lines, which is ideal for traditional kitchens. The extra large 23" depth provides added air capture and is well-suited for professional style cooking and those who passionately pursue the culinary arts. Electronic Push buttons with white backlight, and LED lighting provide added convenience and efficiency. The stainless steel construction offers durability, easy clean-up and a bright attractive appearance.



2 LED lamps with 1 light intensity that safely illuminates the cooking area.



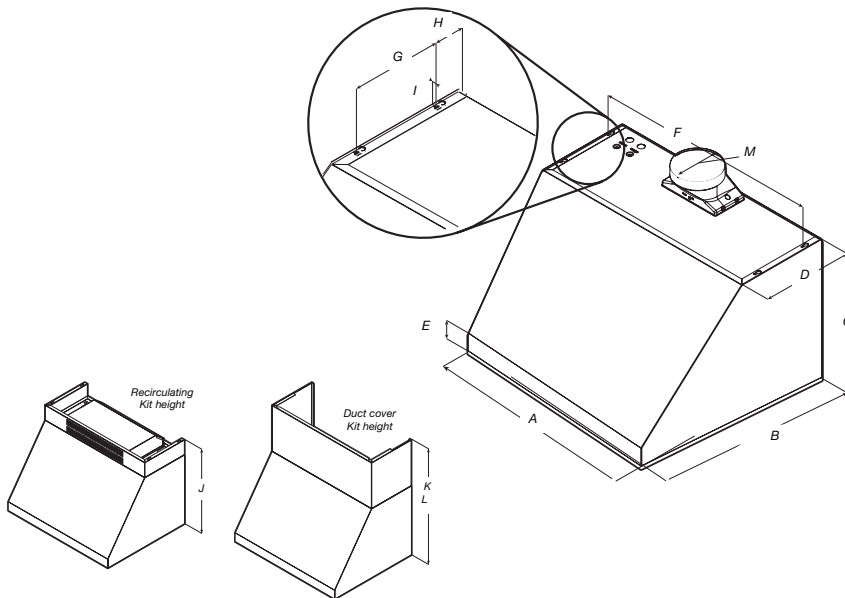
Electronic Push buttons with white backlight.



Dishwasher-safe, Anodized Stainless Steel Mesh filters.

FEATURES

Size (in)	30, 36"
Dimensions	30"/36"W x 23-1/6"D x 18"H
Finish	Stainless Steel
Controls	Electronic Push buttons with white backlight
Illumination	2 LED lamps (700 mA & 2.1 W, 3000 Kelvin and 235 Lumens / Lamp) 1 Light Intensity
Blower Performance**	400 CFM, 3-Speed Internal Blower Min 1.0 - Max 7.0 sones (Noise)
Filter Type	2 for 30", 3 for 36", Dishwasher-Safe, Anodized Stainless Steel Mesh Filters
Duct Transition	3 1/4" x 10" Rectangular (Top) or 6" Round (Top)
Electrical	120V - 60 Hz 265 Watts at 2.2 Amps
Accessories	<p>KIT01939 Recirculating Kit (30") - Contains carbon filters</p> <p>KIT01940 Recirculating Kit (36") - Contains carbon filters</p> <p>KIT01941 Chimney Extension - 30" wide x 6" tall</p> <p>KIT01942 Chimney Extension - 36" wide x 6" tall</p> <p>KIT01944 Chimney Extension - 30" wide x 12" tall</p> <p>KIT01945 Chimney Extension - 36" wide x 12" tall</p> <p>KIT0102873 Back Draft Damper, 6" Round</p> <p>KIT02724 Back Draft Damper, 3 1/4" x 10"</p> <p>KIT0175561 Electronic CFM Reduction Bypass Kit (Achieves less than 300 CFM)</p> <p>KIT0142864 30" Stainless steel Backspash kit</p> <p>KIT0142867 36" Stainless steel Backsplash kit</p>



	ALZ430SSB	ALZ436SSB
A	30" (76 cm)	36" (91.54 cm)
B	23 1/8" (58.7 cm)	
C	18" (45.7 cm)	
D	12 1/8" (30.6 cm)	
E	2 5/8" (5.9 cm)	
F	29 1/8" (74 cm)	35 1/4" (89.5 cm)
G	7 1/8" (18 cm)	
H	2 9/16" (6.5 cm)	
I	7/16" (1 cm)	
J	22" (55.7 cm)	
K	24" (60.8 cm)	
L	30" (76 cm)	
M	6" (15.24 cm)	

DESIGNED IN ITALY, MADE IN NORTH AMERICA

**Two (2) Years Warranty
Parts & In-Home Labor.**

* The product images shown are for illustration purposes only and may not be an exact representation of the product.

** CFM and Noise data indicate the performance of the hood blower tested according to international standards. For AHAM Certified Ratings, established in accordance with California Title 24 Standardized test procedure, please refer to AHAM Certified Product Directory. Electric Ratings are declared according to UL.