



URBINO | Undercabinet Range Hood

Contemporary styling & gleaming color.

SKU: AUR330SSA, AUR336SSA
CATEGORY: Undercabinet

Urbino design is ideal where undercabinet space is limited. Offering two models with a 30" and 36" width featuring a 3-speed, 300 CFM internal blower that provides an adequate ventilating power for most kitchens.

This efficient hood counts with a Dishwasher-safe anodized stainless steel mesh filters that are quick and safe to remove for an easy cleaning. Urbino was created for a standard ducted installation but can also be installed as a recirculating system using the Recirculating Kit.



2 LED lamps with 1 light intensity that safely illuminates the cooking area.



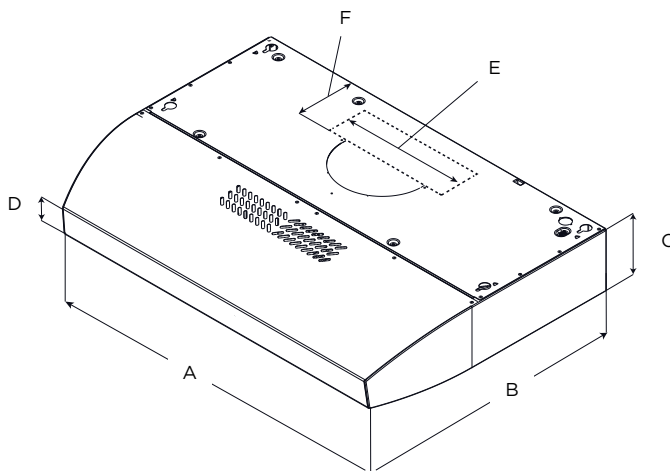
Electronic Push buttons with white backlight.



Dishwasher-safe, Anodized Stainless Steel Mesh Filters

FEATURES

Size (in)	30, 36"	
Dimensions	30"/36" W x 20" D x 4 7/10" H	
Finish	Stainless Steel	
Controls	Electronic Push buttons with white backlight	
Illumination	2 LED lamps (700 mA & 2.1 W , 3000 Kelvin and 235 Lumens / Lamp) 1 Light Intensity	
Blower Performance**	300 CFM, 3-Speed Internal Blower Min 2.0 - Max 4.0 sones (Noise)	
Filter Type	2 Dishwasher-Safe, Anodized Stainless Steel Mesh Filters.	
Duct Transition	3 1/4" x 10" Rectangular (top or rear) or 7" round top (sold separately)	
Electrical	120V - 60 Hz 265 Watts at 2.2 Amps	
Accessories	KIT02178 Recirculation Kit 30" (contains 2 flat carbon filters & clips) KIT02179 Recirculation Kit 36" (contains 2 flat carbon filters & clips) KIT02723 Back Draft Damper, 7" Round KIT02724 Back Draft Damper, 3 1/4" x 10"	



	AUR330SSA	AUR336SSA
A	30" (76.2 cm)	36" (91.4 cm)
B	20" (50.8 cm)	
C	4 3/4" (12 cm)	
D	2 7/16" (5.7 cm)	
E	3 1/4" x 10" (8.3 x 25.4 cm)	
F	5 1/10" (30.4 cm)	

DESIGNED IN ITALY, MADE IN NORTH AMERICA

Two (2) Years Warranty
Parts & In-Home Labor.

* The product images shown are for illustration purposes only and may not be an exact representation of the product.

** CFM and Noise data indicate the performance of the hood blower tested according to international standards. For AHAM Certified Ratings, established in accordance with California Title 24 Standardized test procedure, please refer to AHAM Certified Product Directory. Electric Ratings are declared according to UL.