



## DEKOR ISLAND | Island Range Hood

Keep the room fresh and clear

SKU: ADI436SSB | CATEGORY: Island

The 3-speed, 400 CFM blower and high-tech, electronic push buttons with white backlight controls of the Arietta Dekor Island 36" Island Range Hood make it easy to remove smoke vapors from the kitchen and keep the room fresh and clear. The hood's Italian design includes graceful 36" arched, glass wings that allow natural light to illuminate the surface below and are complemented by reflective stainless steel.



2 LED lamps with 1 light intensity that safely illuminates the cooking area.



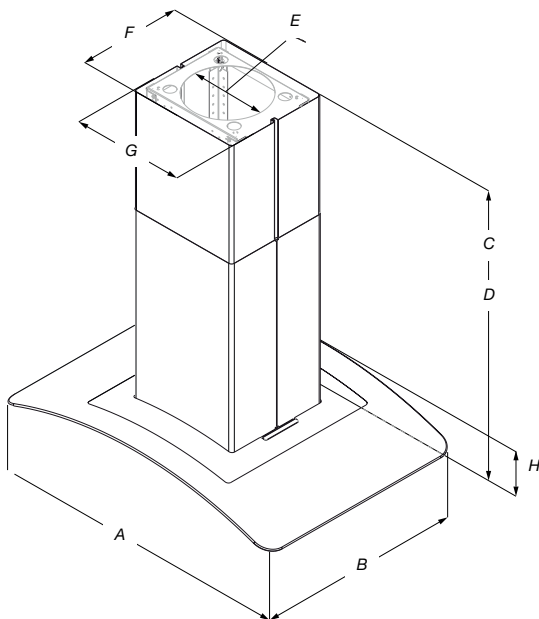
Electronic Push buttons with white backlight.



Dishwasher-safe, Anodized Stainless Steel Mesh filters.

## FEATURES

Size (in)	36"
Dimensions	36"W x 25 1/4"D x Min: 29 7/16" Max: 49 7/16" H
Finish	Stainless Steel
Controls	Electronic Push buttons with white backlight
Illumination	2 LED lamps (700 mA & 2.1 W, 3000 Kelvin and 235 Lumens / Lamp) 1 Light Intensity
Blower Performance**	400 CFM, 3-Speed Internal Blower Min 0.5 - Max 6.0 sones (Noise)
Filter Type	1, Dishwasher-Safe, Anodized Stainless Steel Mesh
Duct Transition	6" (Round, Top)
Electrical	120V - 60 Hz, 265 Watt at 2.2 Amps
Telescopic Chimney	For ceiling heights 7'5" - 9'8" (ducted out) & 7'5" - 10'1" (recirculating)
Accessories	KIT01938 Recirculation Kit (Contains 1 flat carbon filter) KIT0102873 Backdraft Damper 6" Round KIT0100317 Long Chimney Extension - For ceiling heights 8'9" - 12'7" (ducted out) & 9'2" - 12'9" (recirculating) KIT0175561 Electronic CFM Reduction Bypass Kit (Achieves less than 300 CFM)



ADI436SSB	
A	36" (91.4cm)
B	25 1/4" (64 cm)
C*	Max: 49 7/16" (125.5 cm) Min: 29 7/16" (74.7 cm)
D**	Max: 44 5/16" (112.6 cm) Min: 29 7/16" (74.7 cm)
E	6" (15.24cm)
F	12" (30.5 cm)
G	13 1/16" (33.6 cm)
H	1 15/16" (4.92 cm)

\*For non-vented (recirculating installations)

\*\*For vented installations

**DESIGNED IN ITALY, MADE IN NORTH AMERICA**

**Two (2) Years Warranty  
Parts & In-Home Labor.**

\* The product images shown are for illustration purposes only and may not be an exact representation of the product.

\*\* CFM and Noise data indicate the performance of the hood blower tested according to international standards. For AHAM Certified Ratings, established in accordance with California Title 24 Standardized test procedure, please refer to AHAM Certified Product Directory. Electric Ratings are declared according to UL.