



## REFRIGERATED DRAWERS | Single Zone

Ideal solution for your refrigeration needs

SKU: ARBD51SS | CATEGORY: UCR

This Single Zone Double Drawer Unit is equipped with 304 Stainless Steel solid doors and is designed to be Panel Ready Convertible, ensuring seamless integration into your kitchen cabinetry. The drawers boast ample space, accommodating up to 135 liters of storage. Featuring an electronic control panel with a white LED readout, users can effortlessly adjust temperatures ranging from 34° to 64° for precise control. With its sleek design, this drawer unit enhances both the style and functionality of your kitchen space.



Sustainable friendly, the unit will save consumption by maintaining a uniform temperature control and lights optimization.



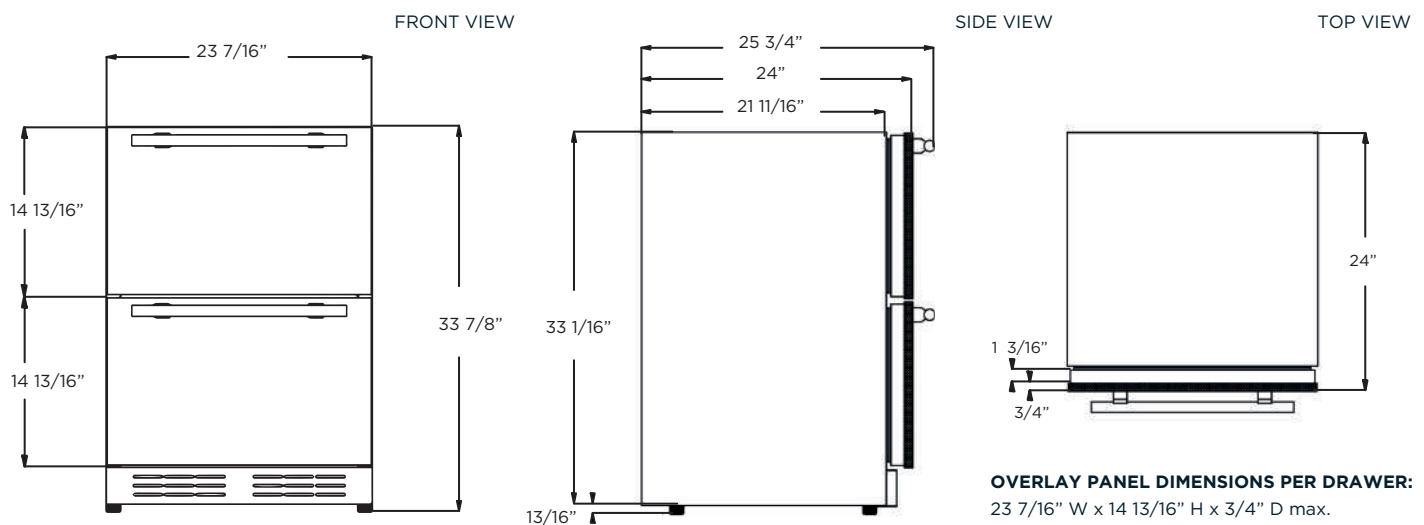
Keep a high performance without the noise, with a speed-control motor that minimize vibrations and reduce exterior sound levels. .



Seamlessly integrate your refrigeration drawers into your cabinetry using custom panels for a perfect match.

## FEATURES

Standard Width	24"	Compressor Brand	Embraco
Dimensions	23 7/16" W x 24" D X 33 7/8" H	Min. Circuit Required	15 A
Weight	130 lbs	AC Power	115V/60HZ
Installation Type	Built-in and Free Standing	Amperage	1.25A
Refrigerant Type	R600a	Plug Type	B
Volume	4.7 cu ft (137L)	Other Features	Full Extension Drawers
Sound Level	40 dBA		Soft closing drawers.
Door Finish	304 Stainless Steel / Panel Ready		Open Door Alarm
Door Handle	Tubular		Anti Vibration Technology
Cabinet Finish	Black		Adjustable thermostat
Interior Finish	Stainless Steel		Sabbath Mode
Lighting	White LED		Stylish look with tubular handle
Controls	Electronic control with white LED readout.		Anti Damping System
Temperature Range	34 to 64°F		Smart Storage
Total Capacity	Top Drawer - 54 cans (12 oz) Bottom Drawer - 59 cans (12 oz)		Perfect Climate Technology
Drawer Dividers	Top Drawer - 2 Adjustable Stainless steel Dividers. Bottom Drawer - 1 Fixed Tubular Divider	Quiet Operation	
		KITS	Carbon Filter KIT    ARC00114-1 PRO Handle (1qty)    ARC0100025
		WARRANTY	2 Year Parts and In-Home Labor.



Two (2) Years Warranty  
Parts & In-Home Labor.