

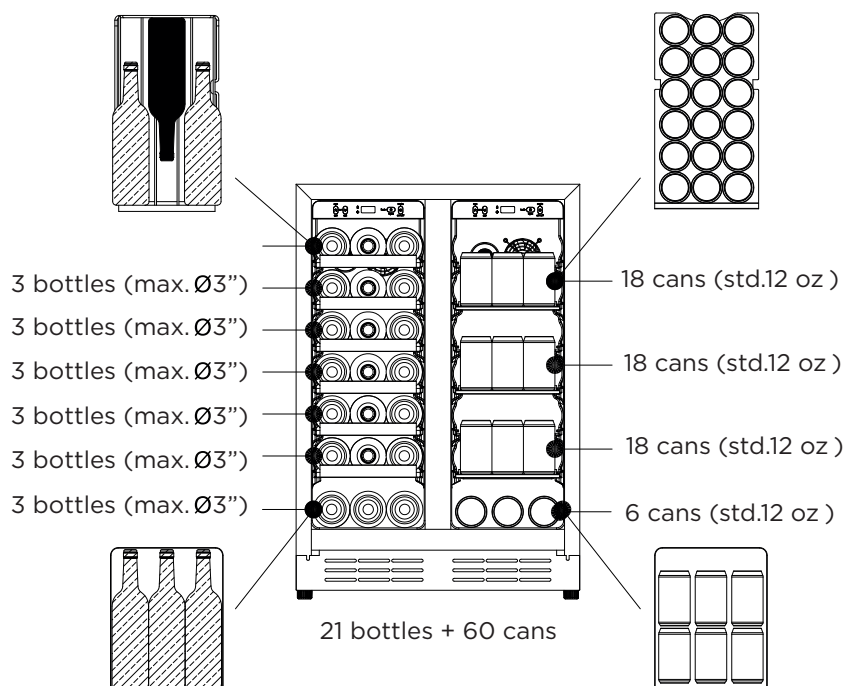


BEVERAGE & WINE CENTER | Double Zone French Door

Seamless construction

MODEL: ARBF52SL1

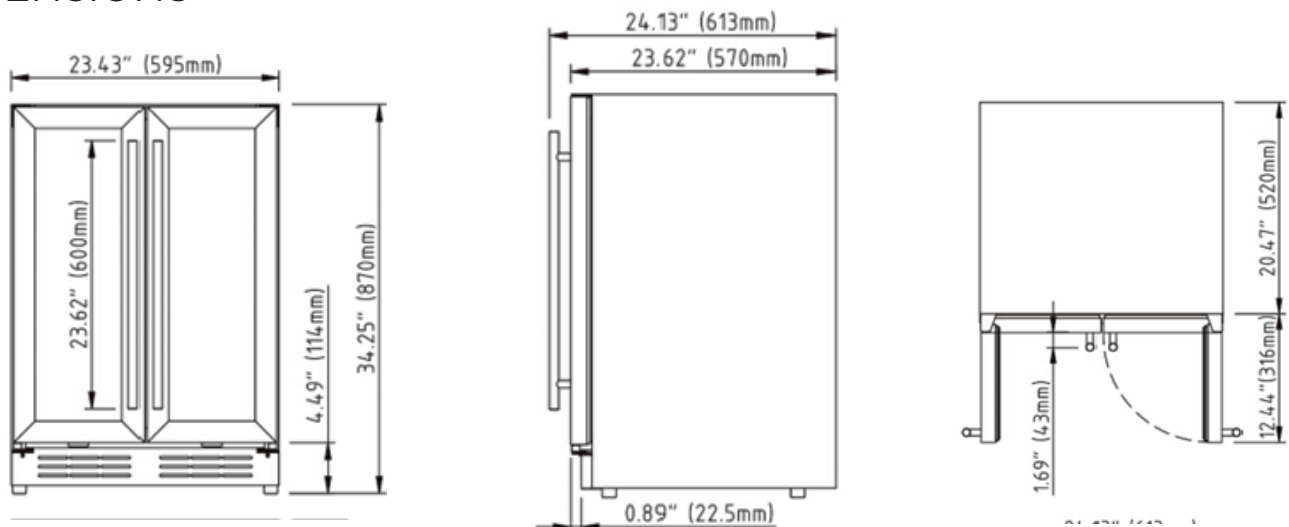
Equipped with Dual Compartments and Dual Cooling zones, it combines the sophistication of a wine cellar with the practicality of a beverage center. The Beverage Zone accommodates up to 60 cans (12oz), while the Wine Zone can store up to 21 bottles of wine (21oz).



FEATURES

Standard Width	24"	Min. Circuit Required	15 A
Dimensions	23 7/16" W x 34 1/4" H x 22 5/16 D	AC Power	110-120V/60HZ
Weight	130 lbs	Amperage	0.95A
Installation Type	Built-in and Free Standing	Plug Type	B
Refrigerant Type	R600a	Door Handle	Tubular
Volume	4.8 cu ft (135L)	Door Glass	Tinted Dual Panel
Sound Level	42 dBA	Reversible Door	No
Door Finish	Stainless Steel + Tempered Glass	Other Features	Seamed stainless steel door frame Metal non concealed hinge Stainless steel Kickplate Stylish look with tubular handle
Cabinet Finish	Black	KITS	PRO Handle ARC0175505
Interior Finish	Black	WARRANTY	One (1) year of in-home labor. Earn an additional year by registering on the website.
Hinge Design	Non concealed hinge		
Lighting	White LED		
Controls	Capacitive Touch with Display with White Numbers		
COOLING ZONE 1			
Total Capacity	>60 Cans (12 oz)		
Temperature Range	34 to 68 °F		
Shelving	3 Adjustable - Partial extension - Tempered Glass Shelves with Plastic Black front trim		
COOLING ZONE 2			
Total Capacity	21 Bottles of Wine (25 oz)		
Temperature Range	34 to 68 ° F		
Shelving	6 metal coated wire shelves with wooden front trim		

DIMENSIONS



Domestic use only.
Refrigeration, no freezing capability.
Compressor included.