

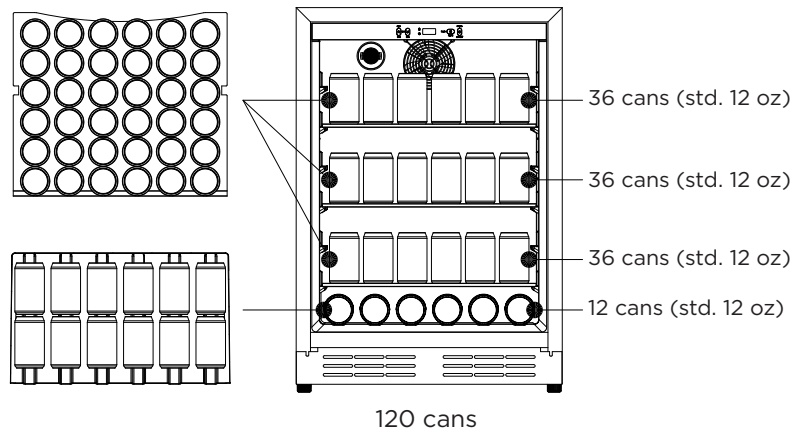


BEVERAGE CENTER | Single Zone

Maintain optimal conditions for beverages.

MODEL: ARBS51SL1

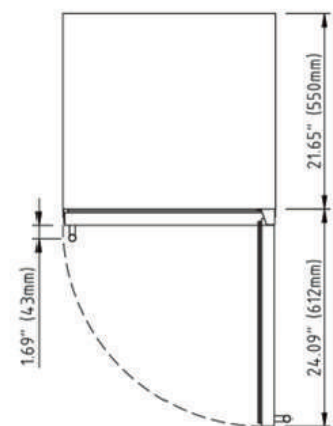
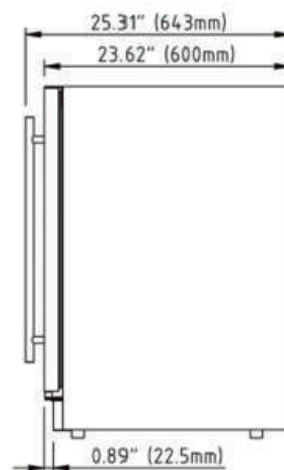
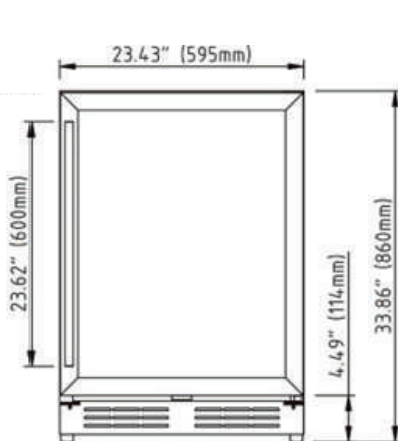
As a 24" undercabinet refrigerator, it offers a generous capacity of up to 120 cans (12oz). It is equipped with three adjustable slide-out Tempered Glass shelves with black front trim for flexible organization. Constructed with a Stainless Steel frame and UV-resistant glass door, it ensures durability and protection against light exposure.



FEATURES

Standard Width	24"	Min. Circuit Required	15 A
Dimensions	23 7/16" W x 23 7/16" D x 33 7/8" H	AC Power	110-120V/60HZ
Weight	132 lbs	Amperage	0.95A
Installation Type	Built-in and Free Standing	Plug Type	B
Refrigerant Type	R600a	Door Handle	Tubular
Volume	4.8 cu ft (135L)	Door Glass	Tinted Dual Panel
Sound Level	42 dBA	Reversible Door	Yes
Door Finish	Stainless Steel + Tempered Glass	Other Features	Seamed stainless steel door frame
Hinge Design	Non concealed hinge		Metal non concealed hinge
Cabinet Finish	Black		Stainless steel Kickplate
Interior Finish	Black	Stylish look with tubular handle	
Lighting	White LED	KITS	PRO Handle ARCO175505
Controls	Capacitive Touch with Display with White Numbers	WARRANTY	One (1) year warranty
Total Capacity	>120 cans (12 oz cans)		
Temperature Range	34 to 68°F		
Shelving	3 Adjustable - Partial extension - Tempered Glass Shelves with Plastic Black front trim		

DIMENSIONS



Domestic use only.
 Refrigeration, no freezing capability.
 Compressor included.