



## BEVERAGE CENTER | Single Zone

### Optimal conditions for your drinks.

SKU: ARBS51SS | CATEGORY: UCR

As a 24" undercabinet refrigerator, it offers a generous capacity of up to 120 cans (12oz). It is equipped with three adjustable slide-out Tempered Glass shelves for flexible organization.

Constructed with a 304 Stainless Steel frame and a double-layered UV-resistant glass door, it ensures durability and protection against light exposure. Its exclusive concealed hinge design not only enhances its aesthetic appeal but also ensures a snug fit within cabinetry, delivering a more seamless integration.



Sustainable friendly, the unit will save consumption by maintaining a uniform temperature control and lights optimization.



Keep a high performance without the noise, with a speed-control motor that minimize vibrations and reduce exterior sound levels. .

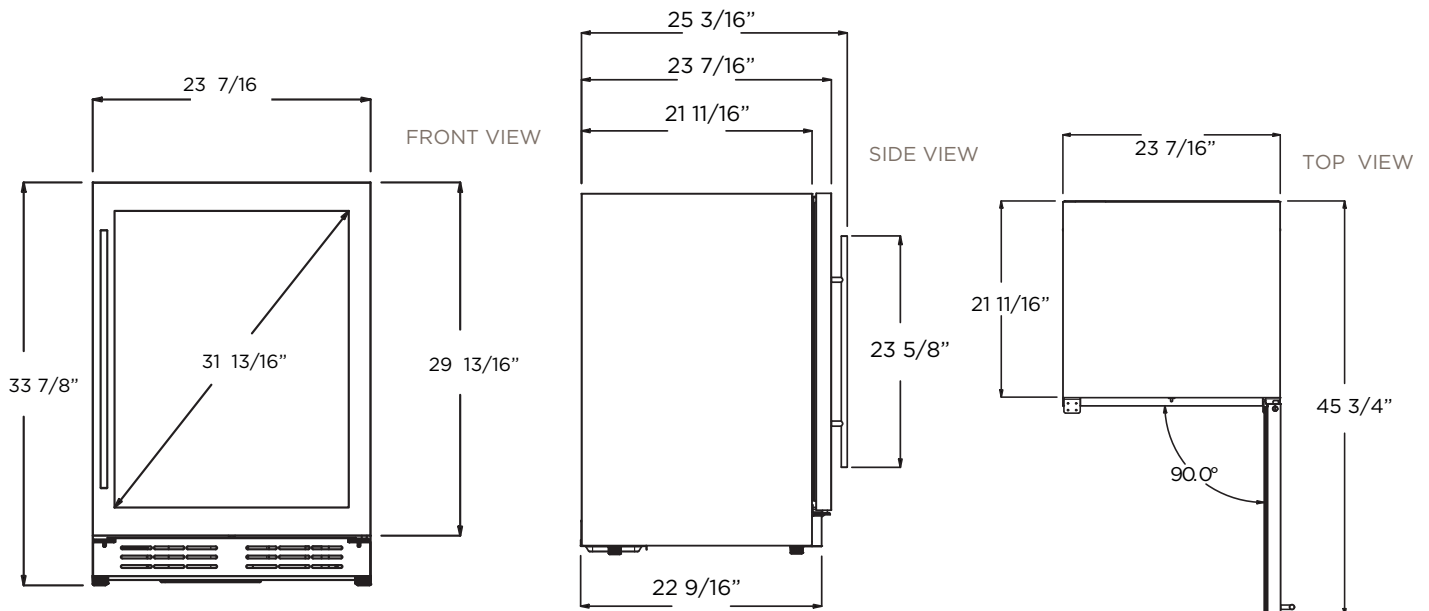


With a hidden concealed hinge within the door, it enables the refrigerator to fit seamlessly within the cabinetry.

## FEATURES

Standard Width	24"
Dimensions	23 7/16" W x 23 7/16" D x 33 7/8" H
Weight	128 lbs
Installation Type	Built-in and Free Standing
Refrigerant Type	R600a
Volume	4.8 cu ft (135L)
Sound Level	39 dBA
Door Finish	304 Stainless Steel + Tempered Glass
Hinge Design	Concealed
Cabinet Finish	Black
Interior Finish	Black
Lighting	3 Level White LED
Controls	Capacitive Touch with Display with White Numbers
Total Capacity	>120 cans (12 oz cans)
Temperature Range	34 to 65°F
Shelving	3 Adjustable - Slide Out- Tempered Glass Shelves with Metal front Trim (without rollers)
Hinge Design	Concealed

Compressor Brand	Embraco
Min. Circuit Required	15 A
AC Power	110-120V/60HZ
Amperage	0.95A
Plug Type	B
Door Handle	Tubular
Door Glass	Tinted Dual Pane, Low-e Argon-filled
Reversible Door	Yes
Other Features	<ul style="list-style-type: none"> <li>Superior Full Extension Racks</li> <li>Shelving made of Tempered Glass</li> <li>Lights with 3 level KELVIN shades</li> <li>Anti Vibration Technology</li> <li>Double Panel, UV coated door</li> <li>Sabbath Mode</li> <li>Stylish look with tubular handle</li> <li>Open Door Alarm</li> </ul>
KITS	<ul style="list-style-type: none"> <li>Carbon Filter KIT      ARC00114-1</li> <li>PRO Handle              ARC0175505</li> </ul>
WARRANTY	2 Year Parts and In-Home Labor.



Domestic use only.  
 Refrigeration, no freezing capability.  
 Compressor included.

Two (2) Years Warranty  
 Parts & In-Home Labor.