



WINE CELLAR | Panel Ready Double Zone

The solution for your wine perfect storage.

SKU: ARWS52PR | CATEGORY: UCR

Featuring dual temperature zones, is meticulously crafted to accommodate a wide array of premium wines, safeguarding them under ideal conditions. Leveraging its expertise as a leader in ventilation technology, Arietta prioritizes the precise regulation of temperature, humidity, light exposure, and vibration levels to create an environment conducive to safe preservation and aging. The natural beechwood shelves are designed for full extension, ensuring effortless and secure access to each bottle.



Sustainable friendly, the unit will save consumption by maintaining a uniform temperature control and lights optimization.



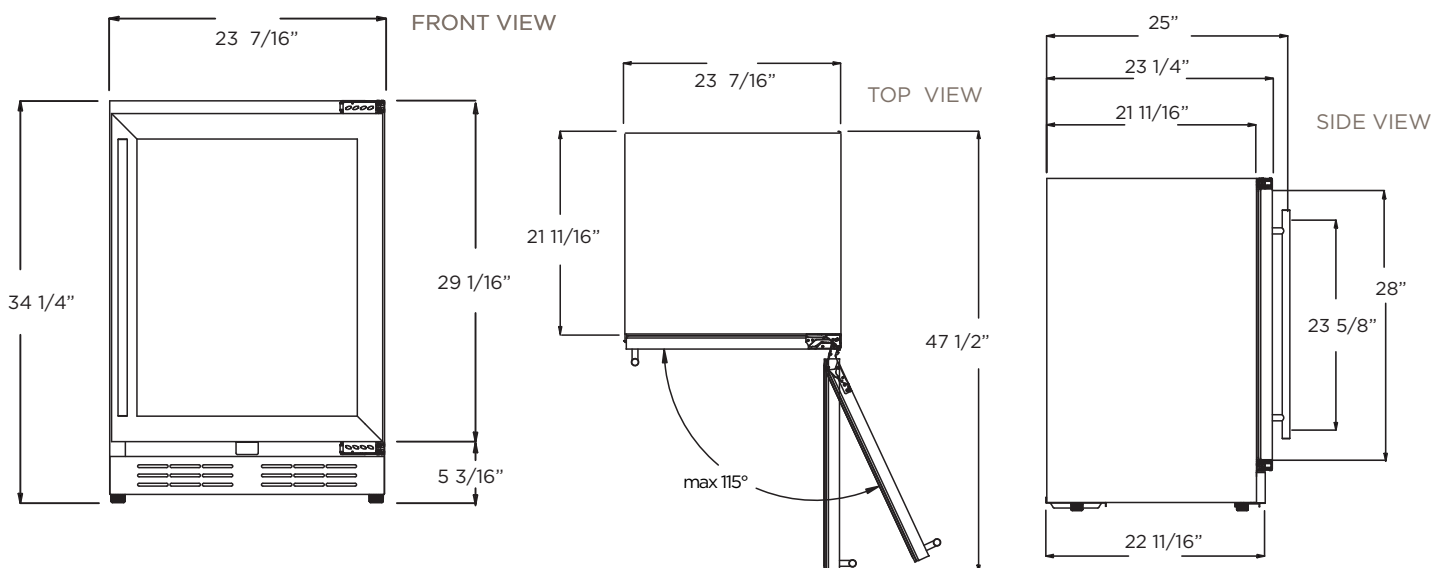
Keep a high performance without the noise, with a speed-control motor that minimize vibrations and reduce exterior sound levels. .



Seamlessly blend within your cabinetry with the Panel Ready capability and unique articulated hinge for a perfect flush installation.

FEATURES

Standard Width	24"	Compressor Brand	Embraco
Dimensions	23 7/16" W x 34 1/4" H x 23 1/4" D	Min. Circuit Required	15 A
Weight	128 lbs	AC Power	110-120V/60HZ
Installation Type	Built-in and Free Standing	Amperage	0.95A
Refrigerant Type	R600a	Plug Type	B
Volume	4.8 cu ft (135L)	Door Handle	Tubular - Included
Sound Level	39 dBA	Door Glass	Tinted Dual Pane, Low-e Argon-filled
Door Finish	Panel Ready Frame + Tempered Glass	Reversible Door	Yes
Cabinet Finish	Black	Other Features	Superior Full Extension Racks
Interior Finish	Black		Premium Beechwood Wine Racks
Hinge Design	Articulated		Lights with 3 level KELVIN shades
Lighting	3 Level White LED		Anti Vibration Technology
Controls	Capacitive Touch with Display with White Numbers	Double Panel, UV coated door	Sabbath Mode
COOLING ZONE 1		KITS	Carbon Filter KIT ARC00114-1
Total Capacity	16 Bottles of Wine (25 oz)		PRO Handle ARC0175505
Temperature Range	40 to 50°F	WARRANTY	2 Year Parts and In-Home Labor.
Shelving	2 Full Extension Racks of Beech wood with Metal Front Trim		
COOLING ZONE 2			
Total Capacity	36 Bottles of Wine (25 oz)		
Temperature Range	50 to 64° F		
Shelving	3 Full Extension Racks of Beechwood with Metal Front trim		



Domestic use only.
Refrigeration, no freezing capability.
Compressor included.

Two (2) Years Warranty
 Parts & In-Home Labor.