



BEVERAGE & WINE CENTER | Panel Ready Double Zone

The solution to meet your beverage preservation needs.

SKU: ARBS52PR | CATEGORY: UCR

It incorporates two distinct cooling zones, each adjustable to specific temperatures, facilitating the preservation of a diverse range of beverages and wines at their optimal freshness levels.

The UV double-layered tempered Glass Door with Panel Ready capability provides protection against aging for bottled beverages. Additionally, the unit technology guarantees a consistent airflow between bottles, further enhancing preservation conditions.



Sustainable friendly, the unit will save consumption by maintaining a uniform temperature control and lights optimization.



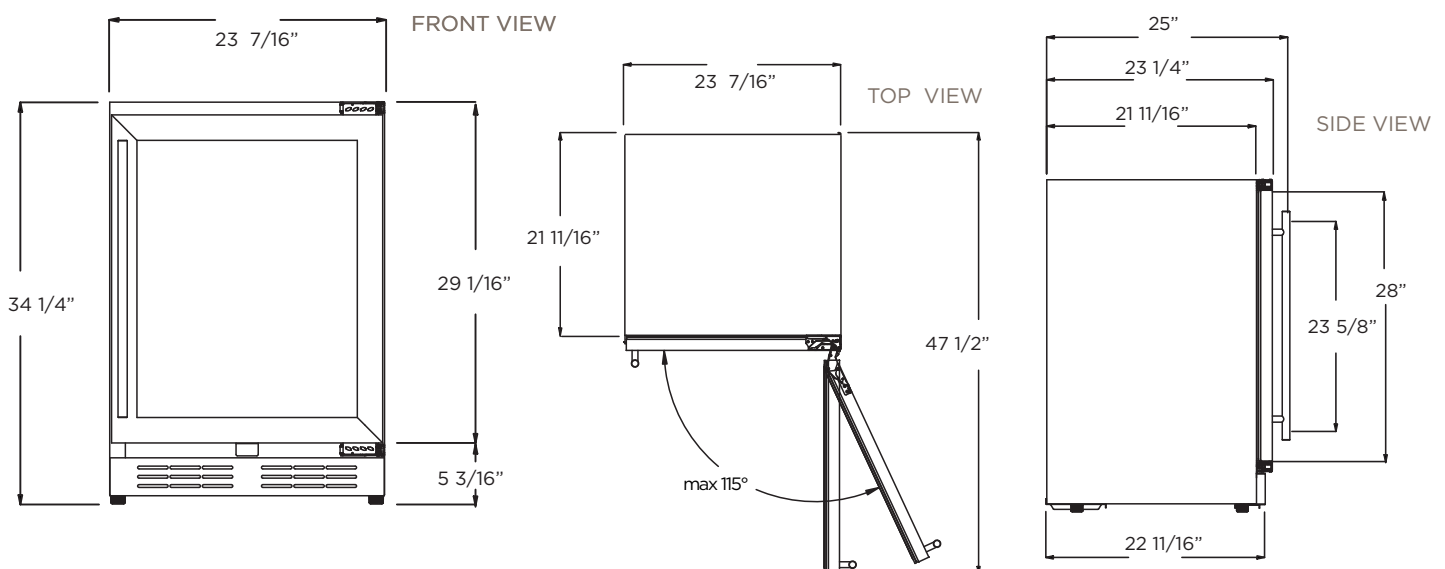
Keep a high performance without the noise, with a speed-control motor that minimize vibrations and reduce exterior sound levels.



Seamlessly blend within your cabinetry with the Panel Ready capability and unique articulated hinge for a perfect flush installation.

FEATURES

Standard Width	24"	Compressor Brand	Embraco	
Dimensions	23 7/16" W x 34 1/4" H x 23 1/4" D	Min. Circuit Required	15 A	
Weight	128 lbs	AC Power	110-120V/60HZ	
Installation Type	Built-in and Free Standing	Amperage	0.95A	
Refrigerant Type	R600a	Plug Type	B	
Volume	4.8 cu ft (135L)	Door Handle	Tubular - Included	
Sound Level	39 dBA	Door Glass	Tinted Dual Pane, Low-e Argon-filled	
Door Finish	Panel Ready Frame + Tempered Glass	Reversible Door	Yes	
Cabinet Finish	Black	Other Features	Superior Full Extension Racks	
Interior Finish	Black		Shelving made of Tempered Glass	
Hinge Design	Articulated		Premium Beechwood Wine Racks	
Lighting	3 Level White LED		Lights with 3 level KELVIN shades	
Controls	Capacitive Touch with Display with White Numbers		Anti Vibration Technology	
COOLING ZONE 1	Total Capacity		72 cans (12 oz cans)	Double Panel, UV coated door
	Temperature Range		34 to 50°F	Sabbath Mode
	Shelving		2 Adjustable Slide-Out Tempered Glass Shelves	
COOLING ZONE 2	Total Capacity		14 Bottles of Wine (25 oz)	
	Temperature Range		40 to 64° F	
	Shelving	1 Full Extension Rack of Beechwood with Metal Front rim		
		KITS	Carbon Filter KIT ARC00114-1 PRO Handle ARC0175505	
		WARRANTY	2 Year Parts and In-Home Labor.	



Domestic use only.
Refrigeration, no freezing capability.
Compressor included.

Two (2) Years Warranty
 Parts & In-Home Labor.