



## BEVERAGE CENTER | Panel Ready Single Zone

### Optimal conditions for your drinks.

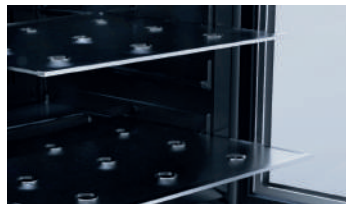
SKU: ARBS51PR | CATEGORY: UCR

As a 24" undercabinet refrigerator, it offers a generous capacity of up to 120 cans (12oz). It is equipped with three adjustable slide-out Tempered Glass shelves for flexible organization.

Constructed with a Panel Ready Frame and a double-layered UV-resistant glass door, it ensures durability and protection against light exposure. Its exclusive concealed hinge design not only enhances its aesthetic appeal but also ensures a snug fit within cabinetry, delivering a more seamless integration.



Sustainable friendly, the unit will save consumption by maintaining a uniform temperature control and lights optimization.



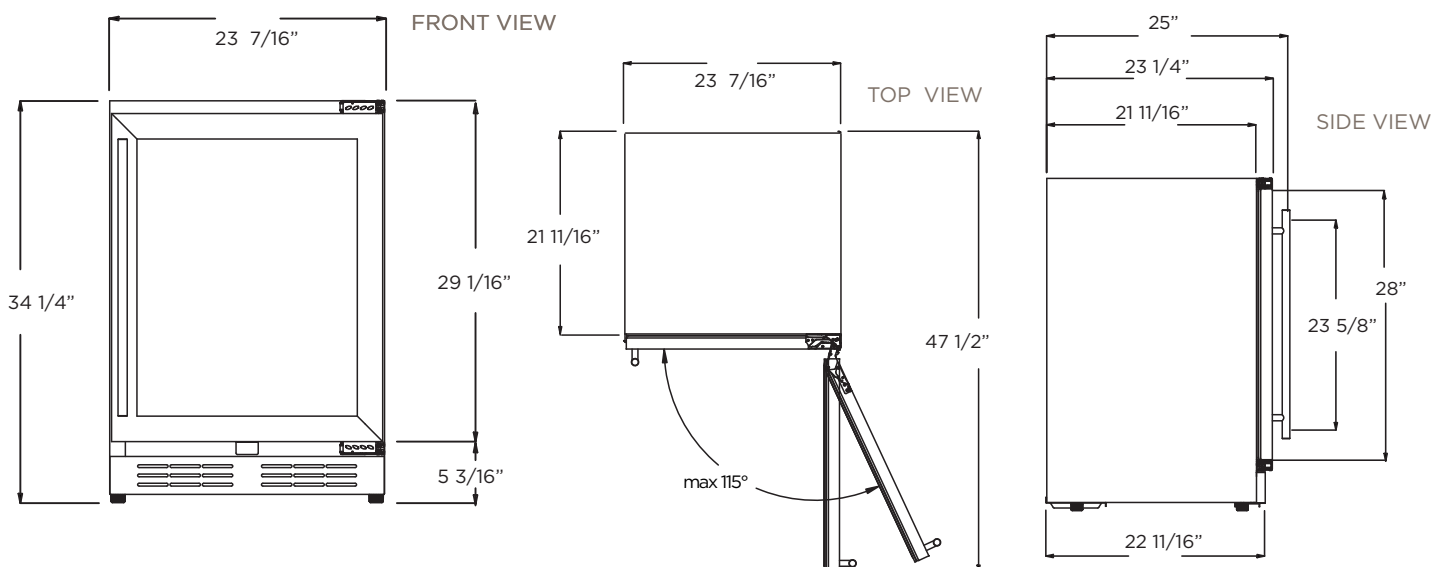
Keep a high performance without the noise, with a speed-control motor that minimize vibrations and reduce exterior sound levels.



Seamlessly blend within your cabinetry with the Panel Ready capability and unique articulated hinge for a perfect flush installation.

## FEATURES

Standard Width	24"	Compressor Brand	Embraco
Dimensions	23 7/16" W x 34 1/4" H x 23 1/4" D	Min. Circuit Required	15 A
Weight	128 lbs	AC Power	110-120V/60HZ
Installation Type	Built-in and Free Standing	Amperage	0.95A
Refrigerant Type	R600a	Plug Type	B
Volume	4.8 cu ft (135L)	Door Handle	Tubular - Included
Sound Level	39 dBA	Door Glass	Tinted Dual Pane, Low-e Argon-filled
Door Finish	Panel Ready Frame + Tempered Glass	Reversible Door	Yes
Hinge Design	Articulated	Other Features	Superior Full Extension Racks Shelving made of Tempered Glass Lights with 3 level KELVIN shades Anti Vibration Technology Double Panel, UV coated door Sabbath Mode
Cabinet Finish	Black	KITS	Carbon Filter KIT      ARC00114-1 PRO Handle              ARC0175505
Interior Finish	Black	WARRANTY	2 Year Parts and In-Home Labor.
Lighting	3 Level White LED		
Controls	Capacitive Touch with Display with White Numbers		
Total Capacity	>120 cans (12 oz cans)		
Temperature Range	34 to 65°F		
Shelving	3 Adjustable - Slide Out- Tempered Glass Shelves with Metal front Trim (without rollers)		
Hinge Design	Concealed		



Domestic use only.  
Refrigeration, no freezing capability.  
Compressor included.

Two (2) Years Warranty  
Parts & In-Home Labor.