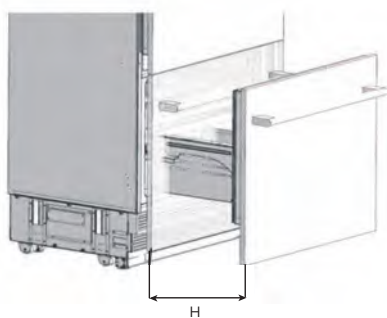
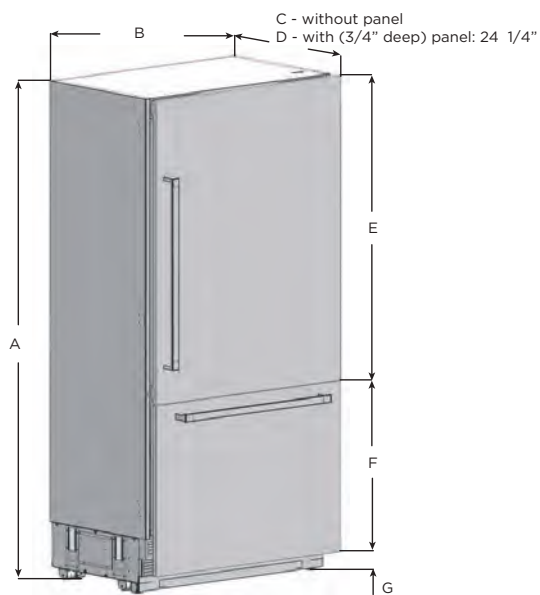


Dolomite 30''

Specification sheet

Bottom-mount, Built-In / Panel Ready refrigeration

MEASUREMENTS



DESCRIPTION

Upgrade your kitchen with the perfect blend of style, functionality, and innovation. Introducing our 30" Panel Ready Refrigerator with Bottom Mount Freezer boasting an impressive 16 CuFt Capacity.

It is more than an appliance; it's a statement of modern living with large storage space, adjustable temperature and perfect preservation for your food.






Elevate your kitchen with a seamlessly integrated appliance with Panel Ready Capabilities and unique 3D adjustment for perfect flush installation.



ER30SRB16IPR ER30SRB16IPR-L

	ER30SRB16IPR	ER30SRB16IPR-L
A	83 1/4"	(212.3 cm)
B	29 1/16"	(75.6 cm)
C	23 5/16"	(59.2 cm)
D	24 1/4"	(61.6 cm)
E	51 1/16"	(129.7cm)
F	28 1/16"	(72.9 cm)
G	3 13/16"	(9.4 cm)
H	15 1/4"	(38.8 cm)

FEATURES

-  Articulated hinge
-  Quiet operation
-  Panel ready
-  Eco-mode
-  Smart storage

GENERAL PROPERTIES

Width	30" Unit
Model	ER30SRB16IPR (Right Side Handle) ER30SRB16IPR-L (Left Side Handle)
Dimensions	29 11/16" W x 23 5/16" D x 83 1/4" H
Cut Out Dimensions	30" W x 25" D x 84" H
Weight	342 lbs (Net) - 386 lbs (Packaged)
Installation type	Built-In, Bottom Mount
Door Finish	Panel ready/Stainless Steel Kit
Reversible Door	Field Reversible
Interior Finish	White plastic liner
Hinge Design	Articulating 90° opening flush hinge
Refrigerant type	R600A
Compressor	Donper
Total Capacity	16 cuft
Noise	Ultra Quiet 43 db(A)
Lighting	LED 6500K 300 lumens, 100 lumen for Freezer.
Controls	Electronic Soft-Touch Digital Black Glass display

ELECTRIC DATA

Electric	115V/60 Hz & 220-240 V / 50-60Hz
Plug Type	NEMA 5-15 P plug
Power Cord Length	7.5 feet
Energy consumption	551 kw/year

REFRIGERATION ZONE

Fridge Capacity	11.5 cuft
Temperature range	+35°F (2°C) to 46°F (8°C) Chiller drawer 30°F (-1°C) to 41°F(5°C)
Shelving	3 Height adjustable cantilever Spill-Proof Glass shelves
Drawers	Humidity control Drawer + Chiller Adjustable Temp Drawer
Door Storage	3 Height adjustable Bins
Water Dispenser	Filtered Water (1. 15 - 75 PSI water pressure)

FREEZER ZONE

Freezer Capacity	4.5 cuft
Temperature range	+5°F (-15°C) to -11°F (-24°C)
Drawers	1 Large Freezer drawer 1 Metal Freezer Drawer
IceMaker	Interior Automatic Icemaker (3.9 lbs/day with basket capacity 5 lbs)

OTHER FEATURES

Sabbath & Holiday Mode
ECO Mode
Soft close crisper & pantry drawers
Ultra Quiet operation
True Flush Install - 3D door adjustment
Cool Day LED interior light side walls & ceiling

KITS

30" Stainless Steel Panel Kit	EPNKB30SS (3/4" deep)
Pro Handle Stainless Steel Kit	EPHKBSS
Tubular Handle Stainless Steel Kit	ETHKBSS
Column Joining Kit	ECJKCXX

WARRANTY:¹ Two (2) Years Parts & In-Home Labor. Earn an additional One (1) Year of Parts & In-Home Labor by registering on elica.com



The product images shown are for illustration purposes only and may not be an exact representation of the product.
¹ For valid warranty extension, register within 3 months from purchase. For USA & Canada Users Only.