

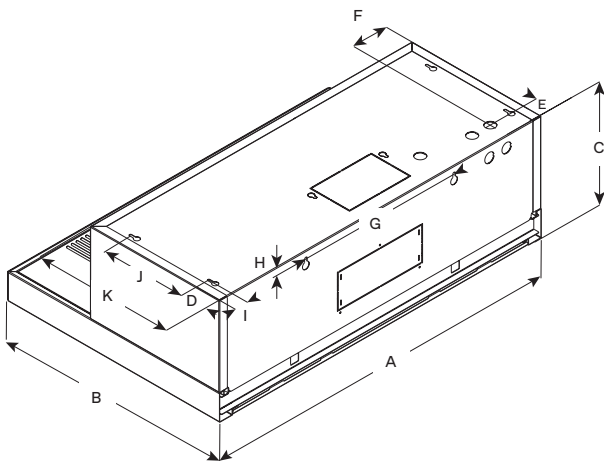
Modena

Undercabinet hood



Learn
more

MEASUREMENTS



	EMD530S3	EMD536S3
A	30" (76.2 cm)	36" (91.4 cm)
B	19 ⁵ / ₈ " (50cm)	
C	9 ³ / ₄ " (25 cm)	
D	2 ³ / ₁₆ " (5.5cm)	
E	1 ⁵ / ₈ " (4 cm)	
F	3" (7.6 cm)	5 ³ / ₄ " (14.6 cm)
G	13 ¹³ / ₁₆ " (35 cm)	
H	⁵ / ₈ " (6 cm)	
I	1 ³ / ₁₆ " (3 cm)	
J	7 ¹ / ₄ " (18.4 cm)	
K	12" (30.5 cm)	

For gas range installation: Mount this hood so that the bottom edge is at minimum 27" (68.6 cm) above the cooking surface.

For electric range installation: mount this hood so that the bottom is not less than 24" (61 cm).

DESCRIPTION

Modena offers a classic designer chimney appearance for under-cabinet installations, with a striking 9" high pyramid shape. Modena also provides high-end features not commonly found in under-cabinet hoods, including a 600 CFM blower, dimmable LED lighting, stainless steel microhole filters, and easy-to-use glass capacitive touch controls for convenience and safety. Available in 30" and 36" widths, and designed for standard ducted installation, Modena can also be installed as a recirculating system using the optional kit. Its design versatility suits almost any kitchen.



FEATURES

Hush system

Dim light

Top performance

Touch controls

CFM reduction system

Led light



GENERAL PROPERTIES

Width	30"	36"
Model	EMD530S3	EMD536S3
Dimensions	30"W x 19 5/8"D x 9 3/4"H	36"W x 19 5/8"D x 9 3/4"H
Blower Type (Internal) ¹	600 CFM (3-speed + boost)	
Noise (Min-max sones) ²	1.7-6.8 Sones	
Electrical	120V-60Hz, 455W	
Illumination	2 premium dimmable LED, 2.1W, 4000K	
Finish	Stainless Steel with black tempered glass	
Controls	Multi-function Electronic with black glass touch display	
Grease filters	Stainless steel microhole filter	
Installation type	Ducted or recirculating with kit (sold separately)	
Duct transition	3 1/4 x 10" rectangular (rear outlet) or 6" round (top outlet)	

KITS

Recirculating Kit	KIT02667 (Contains 2 round carbon filters)
-------------------	--

WARRANTY:² Two (2) Years Parts & In-Home Labor. Earn an additional One (1) Year of Parts & In-Home Labor by registering on elica.com



The product images shown are for illustration purposes only and may not be an exact representation of the product.

¹ CFM and Noise data indicate the performance of the hood blower tested according to international standards. For AHAM Certified Ratings, established in accordance with California Title 24 Standardized test procedure, please refer to AHAM Certified Product Directory. Electric Ratings are declared according to UL.

² For valid warranty extension, register within 3 months from purchase. For USA & Canada Users Only.