

# EBS51SS1

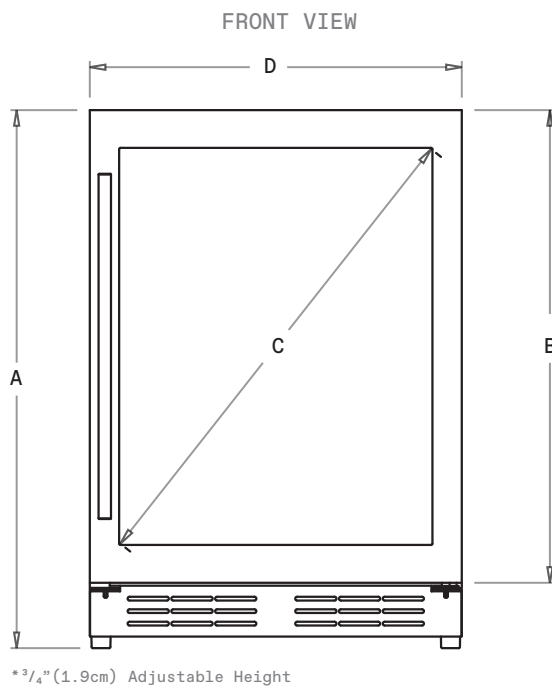
Specification sheet

## Beverage center | Single door single zone



Learn more

### MEASUREMENTS



	EBS51SS1
A	33 $\frac{7}{8}$ " (86 cm)
B	29 $\frac{13}{16}$ " (75.7cm)
C	31 $\frac{13}{16}$ " (78.7cm)
D	23 $\frac{7}{16}$ " (59.5 cm)

### DESCRIPTION

RISERVA - EBS51SS1 creates the dream conditions for your favorite seltzer drinks. This 24" undercabinet refrigerator has the capacity to fit up to 120 cans (12oz). Featuring 3 adjustable slide out Tempered Glass shelves, 304 Stainless Steel frame with double layered UV resistant glass door and an exclusive concealed hinge design that delivers a more refined appear and tighter fit within cabinetry.



### FEATURES

- Open door alarm
- Concealed hinge
- High efficiency carbon filters
- EPC technology
- Quiet operation
- Eco-mode



### GENERAL PROPERTIES

Standard Width	24"
Model	EBS51SS1
Dimensions	23 7/16"W x 23 7/16"D x 33 7/8"H
Weight	128 lbs
Installation type	Built-In & free standing
Refrigeration type	R600a
Volume	4.8 cu ft(135L)
Sound level	39 dBA
Door finish	304 stainless steel + Tempered Glass
Cabinet finish	Black
Interior finish	Black
Hinge design	Concealed
Lighting	3 level white LED
Controls	Capacitive Touch Display with white numbers
Total Capacity	>120 cans (12 oz cans)
Temperature Ranges	34° to 65°F
Shelving	3 adjustable-slide out-tempered glass shelves with metal front trim (without rollers)

### KITS

PRO handle	KIT0175505
Carbon filter replacement	L00114-1

### DOOR

Door handle	Tubular
Door tempered glass	Tinted dual pane, Low-e argon-filled
Reversible Door	Yes

### ELECTRICAL SPECIFICATIONS

Compressor Brand	Embraco
Min. Circuit Required	15 A
AC Power	110-120V / 60HZ
Amperage	0.95A
Plug type	B

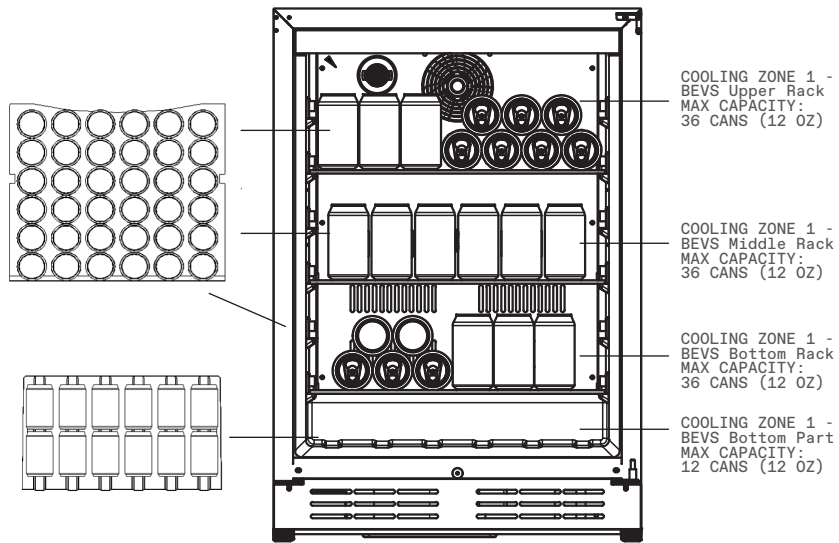
### OTHER FEATURES

Sabbath mode
Superior full extension racks
White LED lights with 3 level Kelvin shade adjustment
Anti vibration technology & anti damping system
Double panel tempered glass door, UV coated
Stylish look with tubular handle
Beverage Shelving made of Tempered Glass
Elica Perfect Climate technology

**WARRANTY:\*\*\* Two (2) Years Parts & In-Home Labor. Earn an additional One (1) Year of Parts & In-Home Labor by registering on elica.com**

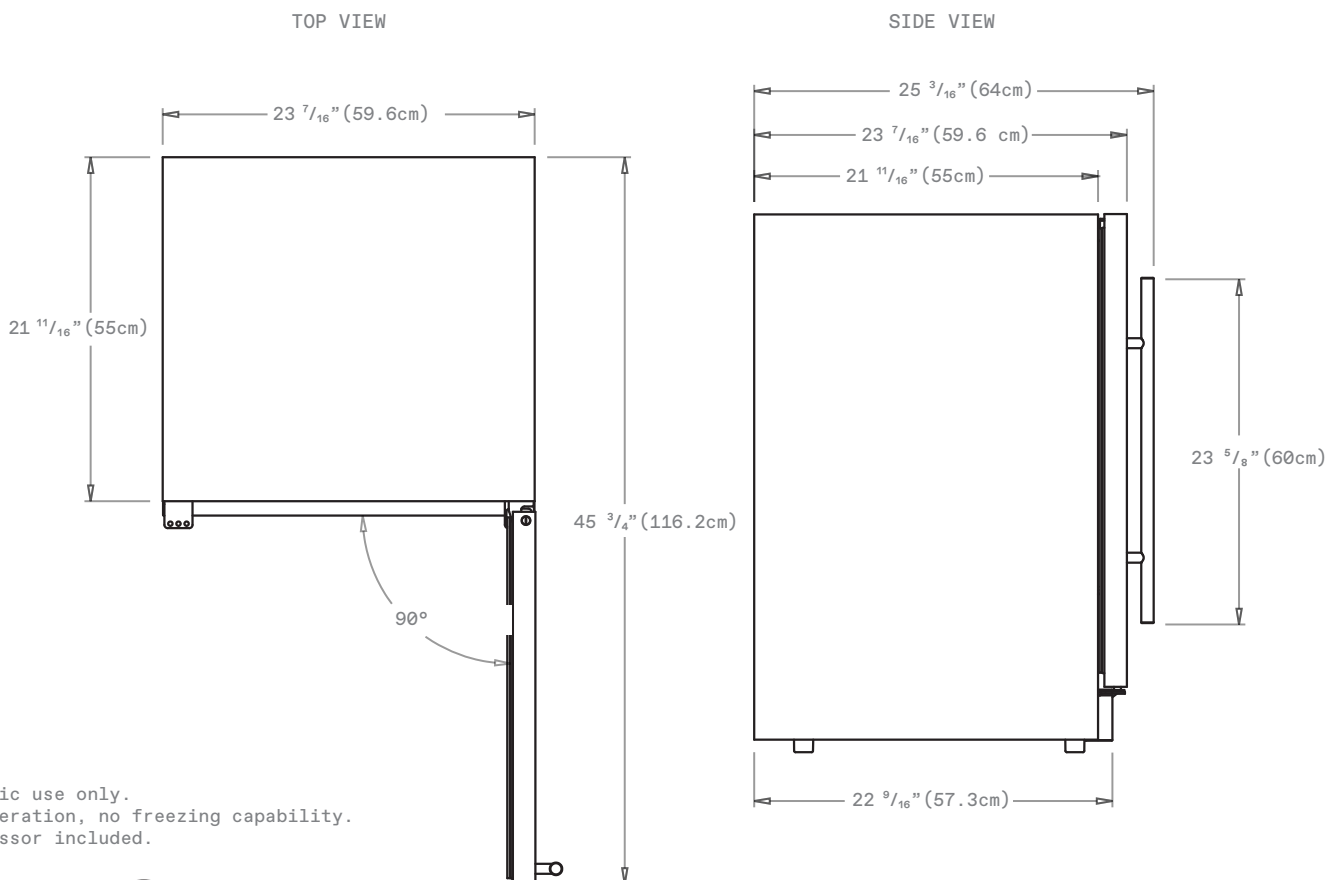
\* The product images shown are for illustration purposes only and may not be an exact representation of the product.  
 \*\* For valid warranty extension, register within 3 months from purchase. For USA & Canada Users Only.

## STORAGE CAPACITY



TOTAL MAX CAPACITY: 120 CANS (12 oz).  
\*Do not exceed Max Capacity, avoid product damage and losing warranty validation

## LINE DRAWINGS



Domestic use only.  
Refrigeration, no freezing capability.  
Compressor included.

