

EBS51PR1

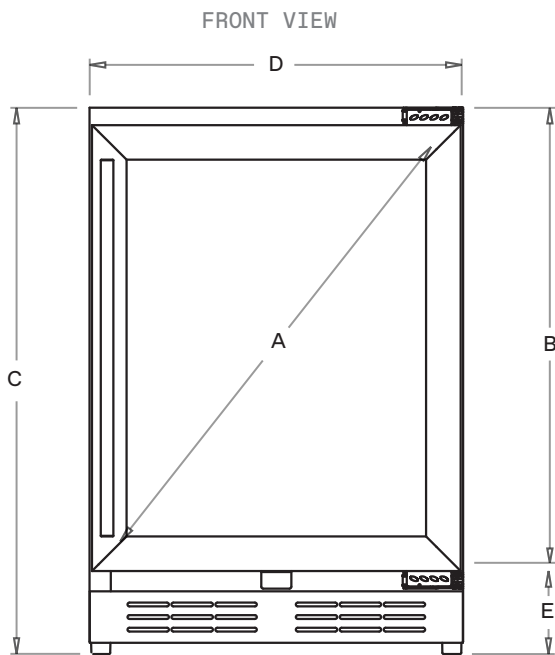
Specification sheet

Beverage center | Panel Ready
Single door single zone



Learn more

MEASUREMENTS



* $\frac{3}{4}$ " (1.9cm) Adjustable Height

EBS51PR1	
A	31 $\frac{13}{16}$ " (78.7cm)
B	29 $\frac{1}{16}$ " (73.8cm)
C	34 $\frac{1}{4}$ " (87cm)
D	23 $\frac{7}{16}$ " (59.5 cm)
E	5 $\frac{3}{16}$ " (13.2cm)

Integrated model requires $\frac{3}{4}$ " custom door panel (not supplied by Elica)

DESCRIPTION

RISERVA - EBS51PR1 creates the dream conditions for your favorite seltzer drinks. This 24" undercabinet refrigerator has the capacity to fit up to 120 cans (12oz). Featuring 3 adjustable slide-out Tempered Glass shelves and a Panel Ready frame with a double layered UV-resistant glass door and an exclusive articulated hinge design that delivers a more refined appearance and tighter fit within cabinetry.



FEATURES

- Open door alarm
- Articulated hinge
- High efficiency carbon filters
- Panel ready
- EPC technology
- Quiet operation
- Eco-mode



GENERAL PROPERTIES

Standard Width	24"
Model	EBS51PR1
Dimensions	23 7/16"W x 23 5/16"D x 34 1/4"H
Weight	128 lbs
Installation type	Built-In & free standing
Refrigeration type	R600a
Volume	4.8 cu ft(135L)
Sound level	39 dBA
Door finish	Panel ready frame + tempered glass
Cabinet finish	Black
Interior finish	Black
Hinge design	Articulated hinge
Lighting	3 level white LED
Controls	Capacitive Touch Display with white numbers
Total Capacity	>120 cans (12 oz cans)
Temperature Ranges	34° to 65°F
Shelving	3 adjustable-slide out-tempered glass shelves with metal front trim (without rollers)

KITS

PRO handle	KIT0175505
Carbon filter replacement	L00114-1

DOOR

Door handle	Tubular
Door tempered glass	Tinted dual pane, Low-e argon-filled
Reversible Door	Yes Field reversible door is shipped right-hand hinged

ELECTRICAL SPECIFICATIONS

Compressor Brand	Embraco
Min. Circuit Required	15 A
AC Power	110-120V / 60HZ
Amperage	0.95A
Plug type	B

OTHER FEATURES

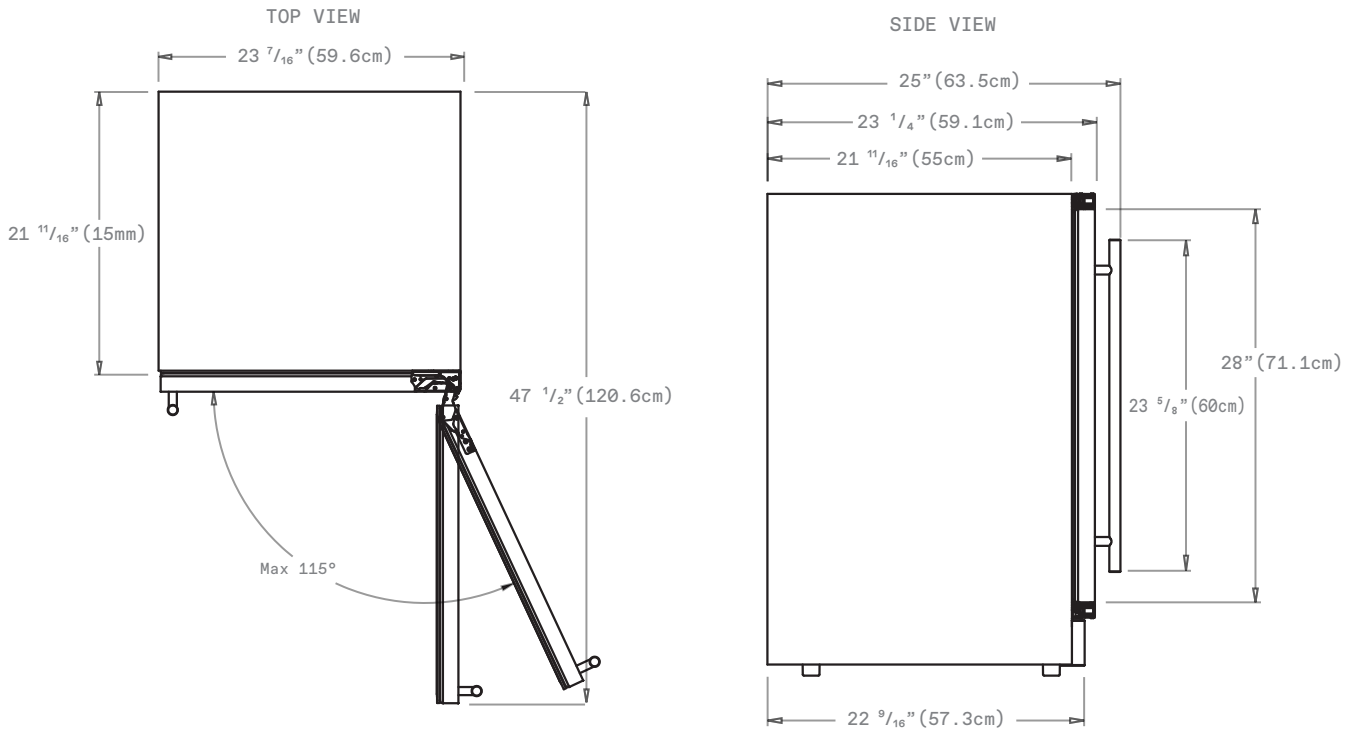
Sabbath mode
Superior full extension racks
White LED lights with 3 level Kelvin shade adjustment
Anti vibration technology & anti damping system
Double panel tempered glass door, UV coated
Stylish look with tubular handle
Beverage Shelving made of tempered glass
Elica Perfect Climate Technology
Integrated model requires 3/4" custom door panel (not supplied by Elica)

WARRANTY:***

Two (2) Years Parts & In-Home Labor. Earn an additional One (1) Year of Parts & In-Home Labor by registering on elica.com

* The product images shown are for illustration purposes only and may not be an exact representation of the product.
 ** For valid warranty extension, register within 3 months from purchase. For USA & Canada Users Only.

LINE DRAWINGS



PANEL DIMENSIONS

Overlay Panel Dimension:

Door Panel Width	$23 \frac{1}{8}''$
Door Panel Height	$30 \frac{3}{16}''$
Door Panel Depth	$\frac{3}{4}''$ max
Door Panel Weight	10 lbs max
Viewable Area Width	$18 \frac{3}{4}''$
Viewable Area Height	$23 \frac{1}{2}''$

