



LESINA | Wall Range Hood

Understated elegance

SKU: ALS430SSB, ALS436SSB
CATEGORY: Wall-Mount

The Lesina 30" wall mount range hood by Arietta is also available in a 36" width, with gently tapered stainless steel canopy that measures only 5" high, conveys understated elegance. Keep your kitchen fresh and clear from smoke, grease, moisture and odors with this highly styled, Italian designed range hood. Features a powerful 400 cfm blower, electronic push buttons with white backlight that deliver convenience and safety, dishwasher-safe anodized stainless steel mesh filters for easy maintenance and LED lighting to set the right mood.



2 LED lamps with 1 light intensity that safely illuminates the cooking area.



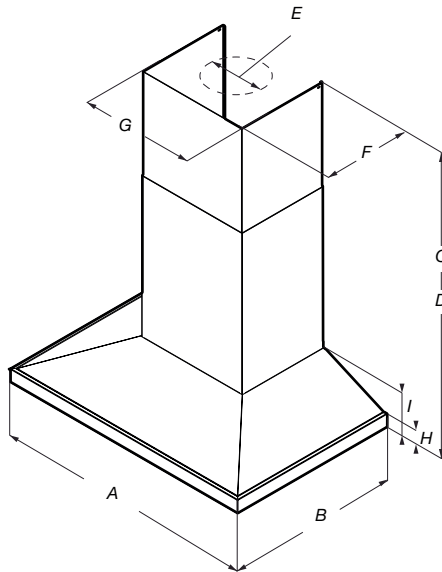
Electronic Push buttons with white backlight.



Dishwasher-safe, Anodized Stainless Steel Mesh filters.

FEATURES

Size (in)	30, 36"	
Dimensions	30"/36" W x 19-11/16"D x Min: 24 39/64" Max: 42 9/16" H	
Finish	Stainless Steel	
Controls	White Backlit Electronic Push Buttons	
Illumination	2 LED lamps (700 mA & 2.1 W , 3000 Kelvin and 235 Lumens / Lamp) 1 Light Intensity	
Blower Performance**	400 CFM, 3-Speed Internal Blower Min 0.6 - Max. 6.1 sones (Noise)	
Filter Type	2 for 30", 3 for 36", Dishwasher-Safe, Anodized Stainless Steel Mesh Filters	
Duct Transition	6" Round (Top)	
Electrical	120V - 60 Hz 265 Watts at 2.2 Amps	
Telescopic Chimney	For ceiling heights 6'11" - 8'7" (ducted out) or 7'0" - 8'11" (recirculating)	
Accessories	KIT0102875 Recirculating Kit - Contains 6" deflector, 3 flat carbon filters and clips KIT01935 Chimney Extension - For ceiling heights 7'9"-10'9" (ducted) & 8'1"-11'1" (recirculating) KIT 02785 Chimney Extension Kit - Reaches ceiling heights 8'8" - 12'4" (ducted), 9'0" - 12'8" (recirculating) KIT0102873 Back Draft Damper, 6" Round KIT0175561 Electronic CFM Reduction Bypass Kit (Achieves less than 300 CFM)	



	ALS430SSB	ALS436SSB
A	30" (76 cm)	36" (91.2 cm)
B	19 1/16" (50 cm)	
C*	max. 42 9/16" (108.1 cm) min. 28 1/4" (71.8 cm)	
D**	max. 38 1/16" (98.3 cm) min. 24 5/8" (62.5 cm)	
E	6" (15.24 cm)	
F	10 5/8" (26.9 cm)	
G	13 1/16" (33.2 cm)	
H	1 9/16" (4 cm)	
I	5" (12.7 cm)	

*For non-vented (recirculating installations)

**For vented installations

DESIGNED IN ITALY, MADE IN NORTH AMERICA

**Two (2) Years Warranty
Parts & In-Home Labor.**

* The product images shown are for illustration purposes only and may not be an exact representation of the product.

** CFM and Noise data indicate the performance of the hood blower tested according to international standards. For AHAM Certified Ratings, established in accordance with California Title 24 Standardized test procedure, please refer to AHAM Certified Product Directory. Electric Ratings are declared according to UL.