

arietta



MATERA | Island Range Hood

Minimalist design that delivers convenience and safety

SKU: AMT636SSA
CATEGORY: Island

Matera design offers 36" width Island Range Hood by Arietta, feature a minimalist design and strong stainless steel construction, which is ideal for kitchens where clear architectural lines take precedence. This Matora Range Hood counts with a powerful 400 CFM blower, LED dimmable lights, stainless steel mesh filters and elegant Push buttons with white backlight. Initially designed for a standard ducted installation, but can also be installed with the Recirculating Kit which is available as an accessory.



4 LED lamps with 1 light intensity that safely illuminates the cooking area.



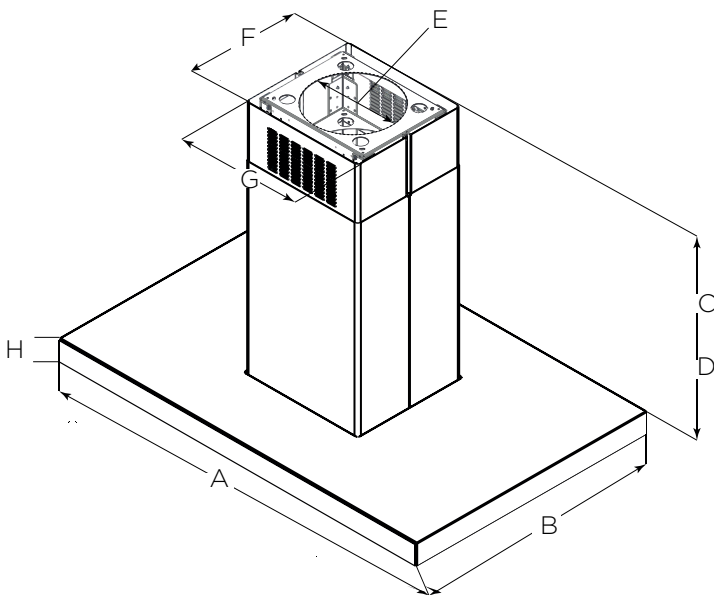
Electronic Push buttons with white backlight.



Dishwasher-safe, Anodized Stainless Steel Mesh filters.

FEATURES

Size (in)	36"	
Dimensions	36"W x 27-1/8"D x Min: 29-13/16 Max: 50-1/8"H	
Finish	Stainless Steel with black tempered glass	
Controls	Electronic Push buttons with white backlight	
Illumination	4 LED lamps (700 mA & 2.1 W., 3000 Kelvin and 235 Lumens / Lamp) 1 Light Intensity	
Blower Performance**	400 CFM, 3-Speed Internal Blower Min 0.5 - 6.0 sones (Noise)	
Filter Type	3 Dishwasher-Safe, Anodized Stainless Steel Mesh Filters	
Duct Transition	6" (Round, Top)	
Electrical	120V - 60 Hz 265 Watts at 2.2 Amps	
Telescopic Chimney	For ceiling heights 7'6" - 9'9" (ducted out) or 7'6" - 10'2" (recirculating)	
Accessories	KIT01938 KIT0100317 KIT0102873 KIT0175561	Recirculating Kit - Contains deflector and 2 round carbon filters Long Chimney Extension Kit - For ceiling heights 8'9" - 12'8" (ducted out) & 9'2" - 12'9" (recirculating) Back Draft Damper, 6" Round Electronic CFM Reduction Bypass Kit (Achieves less than 300 CFM)



AMT636SSA	
A	36" (91.54 cm)
B	27 1/8" (68.9 cm)
C	Min: 29 3/16" (75.72 cm) Max: 50 1/8" (127.32 cm)
D	Min: 29 3/16" (75.72 cm) Max: 44 7/8" (114 cm)
E	6" (15.9 cm)
F	12" (30.4 cm)
G	13" (33.24 cm)
H	2 3/8" (6.03 cm)

DESIGNED IN ITALY, MADE IN NORTH AMERICA

**Two (2) Years Warranty
Parts & In-Home Labor.**

* The product images shown are for illustration purposes only and may not be an exact representation of the product.

** CFM and Noise data indicate the performance of the hood blower tested according to international standards. For AHAM Certified Ratings, established in accordance with California Title 24 Standardized test procedure, please refer to AHAM Certified Product Directory. Electric Ratings are declared according to UL.