

Installation

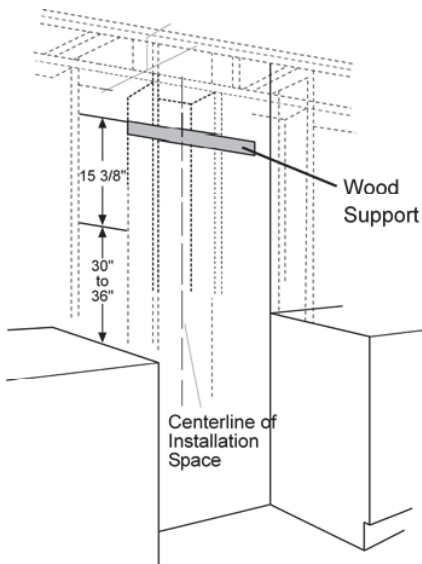
Installation - Ducting version

- If possible, disconnect and move freestanding or slide-in range from cabinet opening to provide easier access to rear wall. Otherwise put a thick, protective covering over countertop, cooktop or range to protect from damage and debris. Select a flat surface for assembling the unit. Cover that surface with a protective covering and place all canopy hood parts and hardware in it.
- Determine and mark the centerline on the wall where the canopy hood will be installed.
- Select a mounting height comfortable for the user and mark on wall.
- Tape template, matching center-line and hood bottom.

INSTALL HOOD ONTO WALL

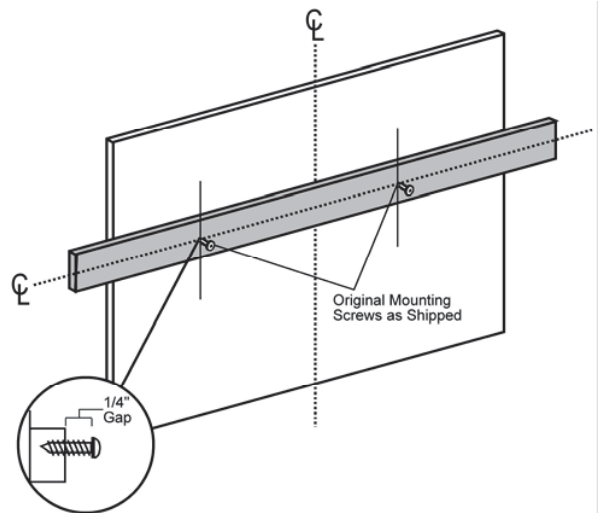
IMPORTANT: Framing must be capable of supporting up to 150 lbs.

- Locate at least 2 vertical studs at the wood support.
- Center the supplied wood support, left to right and below the 15 3/8" marked line.



- Secure the wood support to 2 or more vertical studs, using at least 2 of the 4 supplied long screws.
IMPORTANT: Screws must penetrate at least 1 1/2" into vertical studs. Countersink screws into support.

Note: The mounting screws must remain in their original shipping location. These screws are positioned to engage the keyhole slots in the back of the hood.

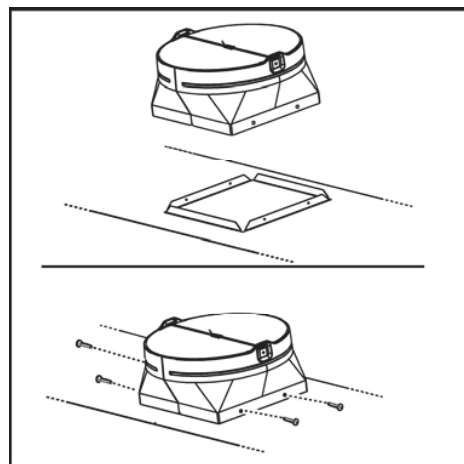


- Adjust depth of original mounting screws in the wood support until they protrude 1/4" forward. This 1/4" gap will provide clearance to hang the hood.

Install Transition Onto Top of Hood

IMPORTANT: Remove shipping tape from damper and check that damper moves freely.

- Place the transition piece over the hood exhaust and secure with 4 screws provided.
- Use duct tape to seal the connection. Check to be sure the damper moves freely.



Hang hood on wood support

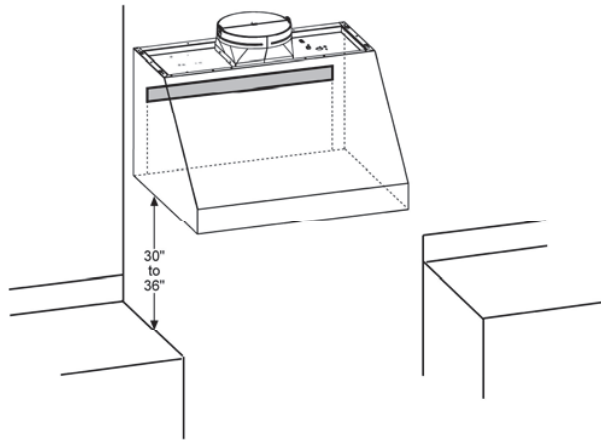
- Lift the hood and hold close to the installation location. Route house wiring through the knockout and into the junction box.

- Place the hood over the wood support. Be sure the mounting screws engage the keyhole slots in the back of the hood. Tighten the screws.

Warning: Continue to provide additional support while the hood is mounted with only these 2 screws.

These screws will not support the weight of the hood. The hood could fall resulting in damage or personal injury.

- Check to be sure the hood is level and centered.



Install bottom mounting screws

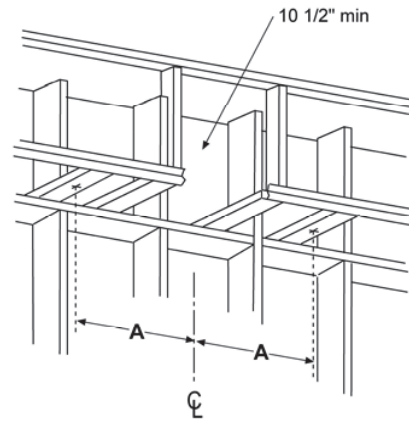
- Drill 1/8" pilot holes into the two lower mounting holes. Enlarge the holes if they did not enter studs to 3/8". Insert anchors for wall fasteners into bottom holes. Remove anchor screws and add flat washers provided. Drive screws into anchors and tighten.
- Install 4 additional screws through the back of the hood and into the wood support.

INSTALL HOOD CEILING OR BENEATH CABINETS

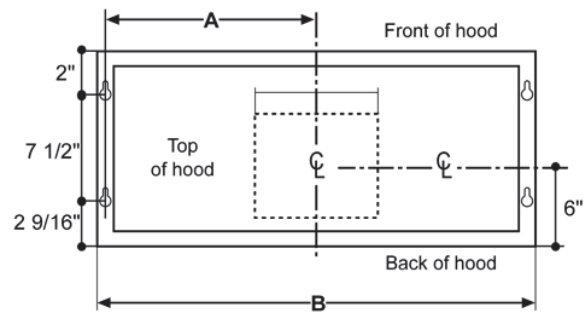
(Skip this step if using wall mounting method)

IMPORTANT: Ceiling framing must be capable of supporting up to 150 lbs.

- The ceiling should be constructed with 2x4's.
- Determine the installation location on the wall.
- Continue the centerline forward on the bottom of the cabinet or ceiling.
- The opening above the hood should allow for the 10" round duct and clearance to slide the hood back against the wall.
- The 2x4 studs must be located as shown in the chart, Dim. A to accept mounting screw.
- Drill 1/8" pilot holes into the studs at the locations show in the illustration.



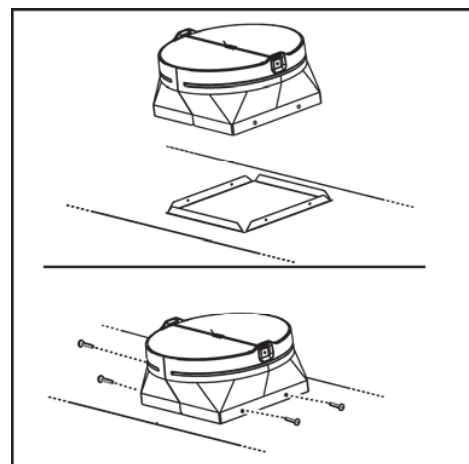
"A"	"B"
23 9/16"	48"
17 9/16"	36"
14 9/16"	30"



Install Transition Onto Top of Hood

IMPORTANT: Remove shipping tape from damper and check that damper moves freely.

- Place the transition piece over the hood exhaust and secure with 4 screws provided.
- Use duct tape to seal the connection. Check to be sure the damper moves freely.

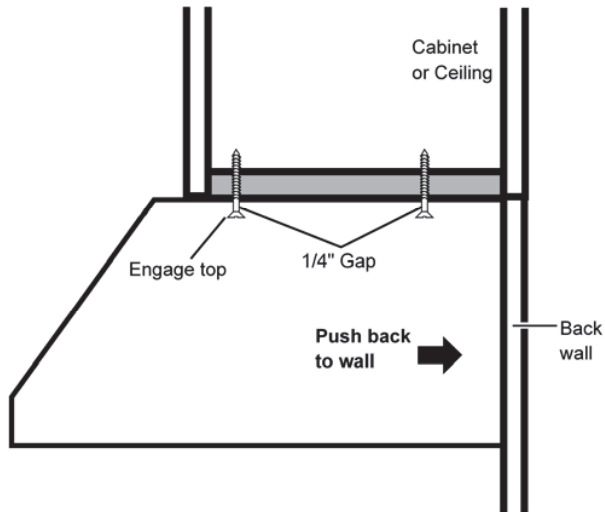


Mount hood onto ceiling or cabinet

Note: If mounting to the underside of a cabinet with a recessed bottom, install shims to fill the gap.

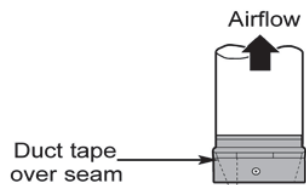
- Drive mounting screws into the studs until they protrude 1/4". The 1/4" gap will provide clearance to engage the keyhole slots in the top of the hood.
- Lift hood to installation position. Locate house wiring and route trough the knockout (from the back or top of the hood).
- Lift hood onto mounting screws. Slide back against the rear wall.
- Tighten mounting screws.

Important: For additional support and to minimize vibration during operation, the hood must be secured to the back wall. Use wall anchors to fasten bottom back of hood to the wall.



Connecting the ductwork

- Install ductwork, making connections in the direction of airflow as illustrated.
- Push duct over the exhaust outlet.
- Wrap all duct joints and the flange connections with duct tape for an airtight seal.
- Make the same connection in the wall or ceiling vent exit.



Electrical connection

WARNING

Electrical Shock Hazard

Warning: Turn off power circuit at the service panel before wiring this unit.

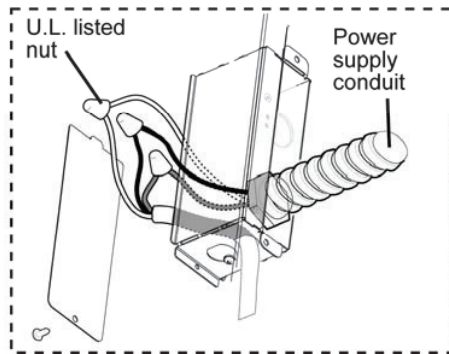
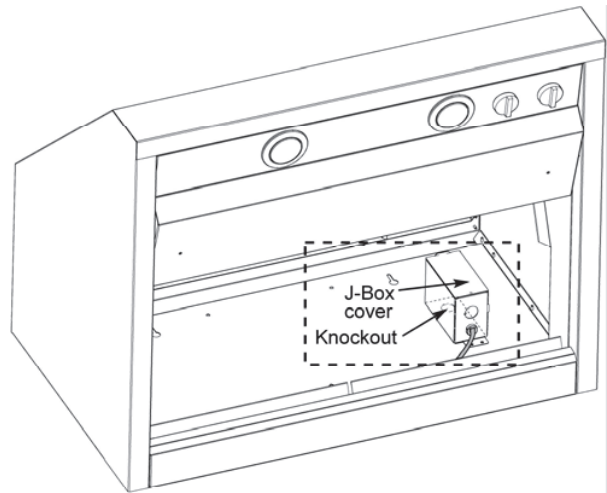
120 VAC, 15 or 20 Amp circuit required.

ELECTRICAL GROUNDING INSTRUCTIONS

THIS APPLIANCE IS FITTED WITH AN ELECTRICAL JUNCTION BOX WITH 3 WIRES, ONE OF WHICH (GREEN/YELLOW) SERVES TO GROUND THE APPLIANCE. TO PROTECT YOU AGAINST ELECTRIC SHOCK, THE GREEN AND YELLOW WIRE MUST BE CONNECTED TO THE GROUNDING WIRE IN YOUR HOME ELECTRICAL SYSTEM, AND IT MUST UNDER NO CIRCUMSTANCES BE CUT OR REMOVED.

Failure to do so can result in death or electrical shock.

Remove the knockout and the Junction box cover and install the conduit connector (cULus listed) in junction box.

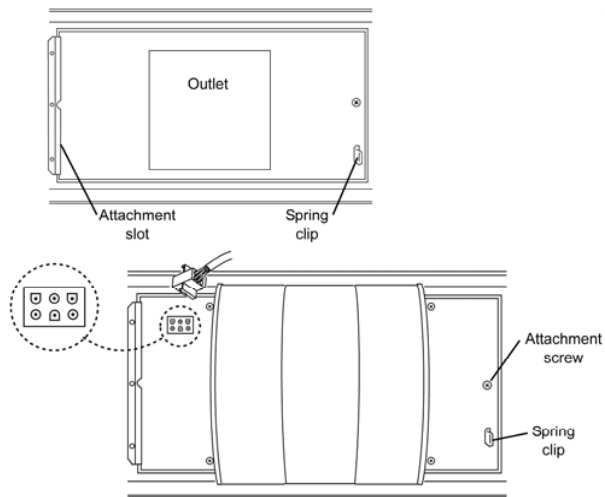


Install Motor

- From the inside of the hood, slip motor into the attachment slot on the left.
- Rotate motor upwards until it snaps into the spring clip on the right.
- Secure the motor to the hood with the machine screw and lock washer. (Screw is marked with red or blue paint).

Important: Connector ends are designed to mate only one way. Match flat and round connectors as shown.

- Plug connector into the motor.



Install the grease filter and turn power on at service panel.
Check operation of the hood.

If range hood does not operate:

- Check that the circuit breaker is not tripped or the house fuse blown.
- Disconnect power supply. Check that wiring is correct.

**To get the most efficient use from your new range hood,
read the "Use and Care Information" section.**

**Keep your Installation Instructions and Use and Care
Guide close to range hood for easy reference.**