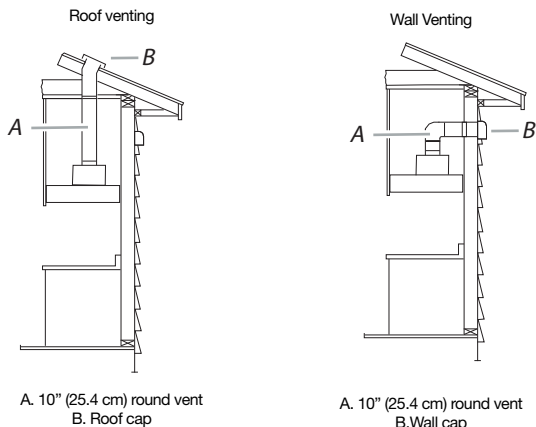


# Venting Methods

- The hood exhaust opening has a 10" diameter round vent outlet.
- On installations using the 600 CFM Blower Motor Systems, 8" round vent system is recommended.
- On installations using the 1200 CFM Blower Motor Systems, a 10" round vent system should be used.
- You can use a smaller round vent system, but there will be a louder sound level.

NOTE: Flexible vent is not recommended. Flexible vent creates back pressure and air turbulence that greatly reduce performance. Vent system can terminate either through the roof or wall. To vent through the wall, a 90° elbow is needed.



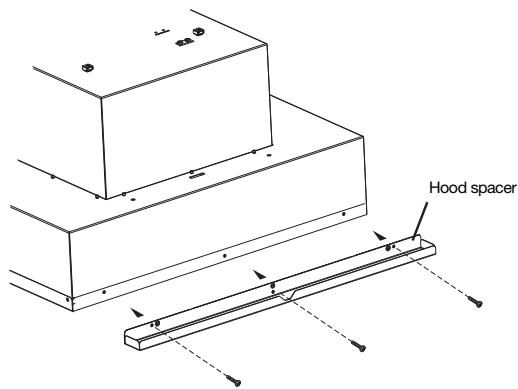
## Prepare the Location

1. Disconnect power.
2. Determine which venting method to use: roof or wall exhaust.
3. Select a flat surface for assembling the hood insert. Place covering over that surface.
  - It is recommended that the vent system be installed before hood is installed.
  - Before making cutouts, make sure there is proper clearance within the ceiling or wall for exhaust vent.
  - Hood insert should be installed a minimum 24" (61 cm) above an electric cooktop surface and 30" (76.2 cm) above a gas cook top surface. The maximum recommended height over both cook tops is 36" (91.44 cm).
  - Check that all installation parts have been removed from the shipping carton.
4. Using 2 or more people, lift hood insert onto covered surface.
5. Remove the filters. See the "Cleaning" section.

### Stainless Steel Hood Spacer Installation

You can elongate 1.5" of your range hood width (¾" per side), installing the stainless steel spacers included with your range hood.

1. Unpack the spacer and take off the protective.
2. Put each one on the right and the left side
3. Fasten hood spacer using four 5 x 45 mm screws to the hood cabinet and tighten securely.



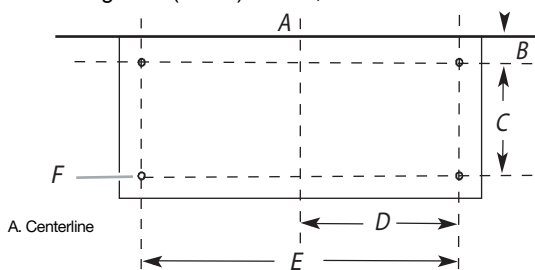
## Install Range Hood into Hood Cabinet

The range hood attaches to the hood cabinet using four mounting screws and washers.

NOTE: Hood cabinet must be capable of supporting 75 lb (34 kg).

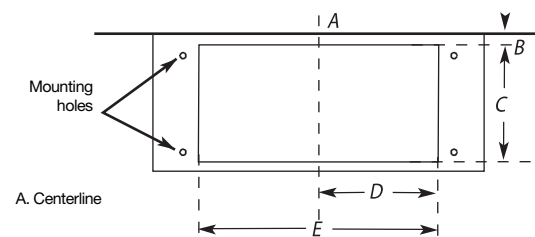
### Prepare Range hood for mounting into cabinet

1. Mark the locations for the four mounting screws on the hood cabinet as shown below.
2. Using a 1/8" (3 mm) drill bit, drill the 4 holes.



MOUNTING HOLE DIMENSIONS					
Hood Insert	DIM B	DIM C	DIM D	DIM E	DIM F
EAR628SS	5½" (14 cm)	11" (28 cm)	12½" (30.9 cm)	24½" (61.8 cm)	Ø1/8" (3mm)
EAR134SS	6" (15.5 cm)	10½" (25.6 cm)	14½" (38 cm)	29½" (75.8 cm)	Ø1/8" (3mm)
EAR140SS	6" (15.5 cm)	10½" (25.6 cm)	14½" (38 cm)	29½" (75.8 cm)	Ø1/8" (3mm)
EAR146SS	6" (15.5 cm)	10½" (25.6 cm)	14½" (38 cm)	29½" (75.8 cm)	Ø1/8" (3mm)

3. Mark the cutout for the rectangular clearance hole for the upper range hood motor housing as shown.
4. Using a jigsaw or keyhole saw, cut out the rectangular clearance hole for the upper range hood housing.



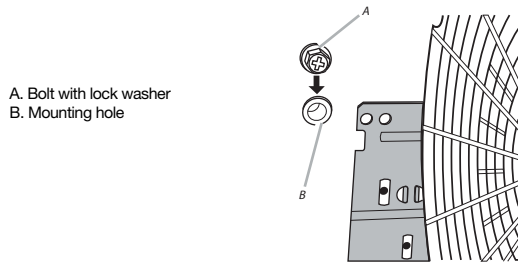
UPPERHOOD MOTOR HOUSINGS DIMENSIONS				
Hood Insert	DIM B	DIM C	DIM D	DIM E
EAR628SS	4½" (12.2 cm)	12½" (32.7 cm)	11¼" (28.57 cm)	22½" (57.15 cm)
EAR134SS	4½" (12.2 cm)	12½" (32.7 cm)	14" (35.56 cm)	28" (71.12 cm)
EAR140SS	4½" (12.2 cm)	12½" (32.7 cm)	14" (35.56 cm)	28" (71.12 cm)
EAR146SS	4½" (12.2 cm)	12½" (32.7 cm)	14" (35.56 cm)	28" (71.12 cm)

## Complete Installation

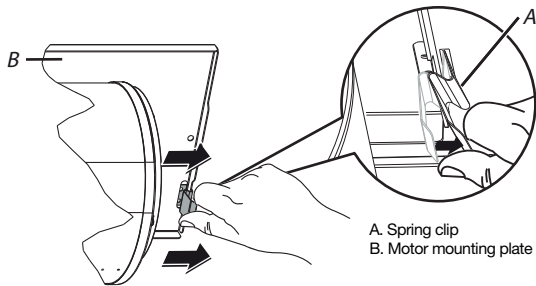
**NOTE:** To make easier the hood mounting on the cabinet, is recommended to uninstall the blower motor located inside the hood insert.

### To uninstall the single or dual Blower motor

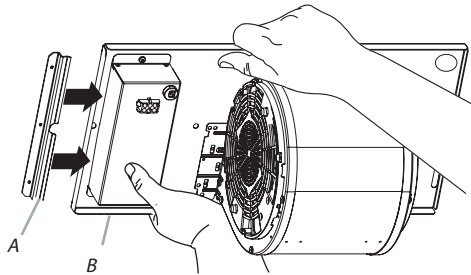
1. Remove the 6 x 16 mm bolts and the lock washers.



2. Press the spring clip (A) to release the blower mounting plate right flange (B).



3. Slide the mounting plate to the right to release it, and put it aside.



### Install the range hood into the hood cabinet

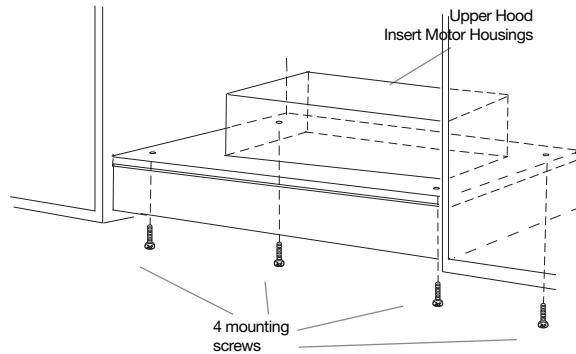
1. Determine and make all necessary cuts in the wall or roof for the vent system. Install the vent system before installing the cabinet hood insert. See the "Venting Requirements" section.
2. Determine the location where the power supply cable will be run through the wall.
3. Drill a 1 1/4" (3.2 cm) hole at this location.
4. Pull enough power supply cable through the wall to allow for easy connection to the terminal box.
5. Remove terminal box cover and set aside.
6. Remove knockout from the top of the vent hood and install a UL listed or CSA approved 1/2" (1.3 cm) strain relief.
7. Place the hood insert near its mounting position and run the power supply cable through the strain relief into terminal box (enough to make connection).
8. Tighten the strain relief screws.
9. Using 2 or more people, lift the hood insert into hood cabinet.

10. Fasten the hood insert using four 5 x 45 mm screws to the hood cabinet and tighten securely.

## WARNING

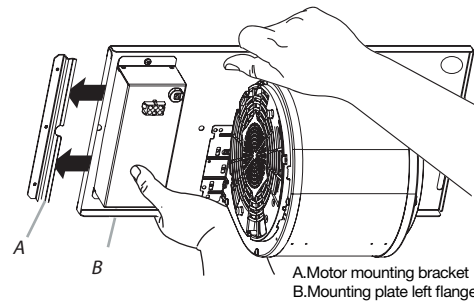
### Excessive weight hazard

Use two or more people to move and install hood insert. Failure to do so can result in back or other injury.



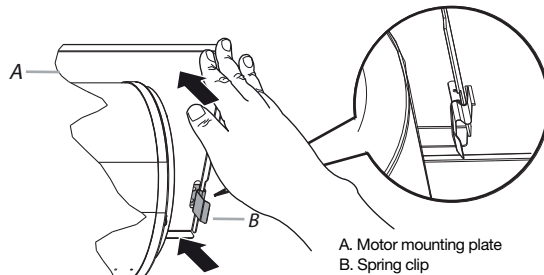
### To install the single or dual Blower motor

1. To install blower motor assembly, slide the left mounting plate flange under the motor mounting bracket.

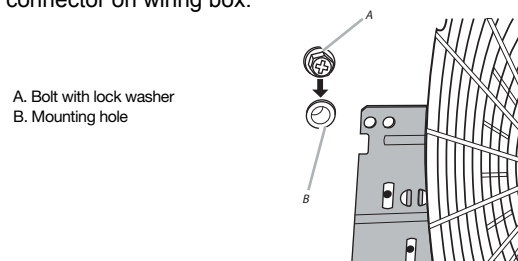


2. Push the right end of the motor mounting plate down and snap it into the spring tab.

**NOTE:** The spring tab should be outside the slot in the mounting plate.

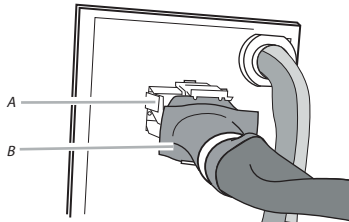


3. Align mounting holes and install 6 x 16 mm bolts and 6.4 mm lock washers.
4. Attach power cord connector from the hood insert to connector on wiring box.



## Complete Installation and Check Operation

A. Wiring Box Connector  
B. Hood Insert Connector

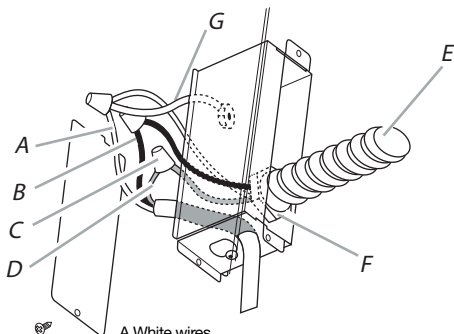


### Make Electrical Power Supply Connection to Hood Insert

#### **WARNING**

**Electrical Shock Hazard**  
Disconnect power before servicing.  
Replace all parts and panels before operating.  
Failure to do so can result in death or electrical shock.

1. Disconnect power.
2. Locate terminal box inside of the hood insert.



A. White wires  
B. Black wires  
C. UL listed wire connectors  
D. Green, bare or yellow/green wires  
E. Home power supply  
F. UL listed or CSA approved 1/2" (1.3 cm) strain relief  
G. Ground Wire tab

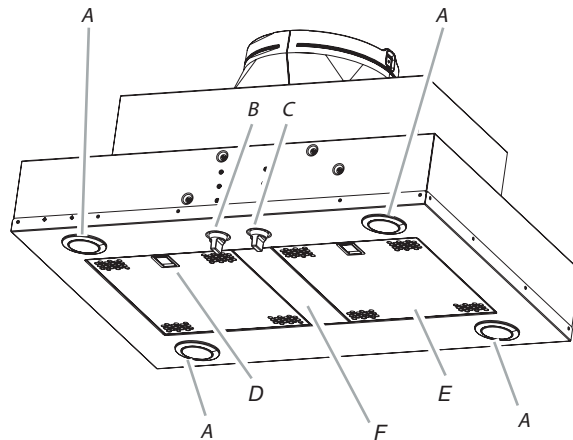
3. Use UL listed wire connectors and connect black wires (B) together.
4. Use UL listed wire connectors and connect white wires (A) together.

#### **WARNING**

**Electrical Shock Hazard**  
**Electrically ground blower.**  
Connect ground wire to green and yellow ground wire in terminal box.  
Failure to do so can result in death or electrical shock.

5. Connect green (or bare) ground wire from home power supply to the green/yellow ground wire (D) in terminal box using UL listed wire connectors.
6. Install terminal box cover.
7. Check that all light bulbs are secure in their sockets.
8. Reconnect power.

1. Install grease filters. See the "Cleaning" section.
2. Check operation of the Hood Insert blower and lights. See the "Hood Insert Use" section.



A. Halogen lights  
B. Halogen light switch  
C. Blower control switch  
D. Grease filter handle  
E. Grease filter  
F. Filter Spacer (Only for EAR628SS model)

3. If the hood insert does not operate, check to see whether a circuit breaker has tripped or a house hold fuse has blown.
4. Disconnect power supply and check that the wiring is correct.

NOTE: To get the most efficient use from your new hood insert, read the "Hood Insert Use" section.