

# ELECTRICAL & INSTALLATION REQUIREMENTS

## IMPORTANT

Observe all governing codes and ordinances.

It is the customer's responsibility:

- To contact a qualified electrical installer.
- To assure that the electrical installation is adequate and in conformance with National Electrical Code, ANSI/NFPA 70 — latest edition\*, or CSA Standards C22.1-94, Canadian Electrical Code, Part 1 and C22.2 No.0-M91-latest edition\*\* and all local codes and ordinances.
- If codes permit and a separate ground wire is used, it is recommended that a qualified electrician determine that the ground path is adequate.
- Do not ground to a gas pipe.
- Check with a qualified electrician if you are not sure range hood is properly grounded.
- Do not have a fuse in the neutral or ground circuit.

## IMPORTANT

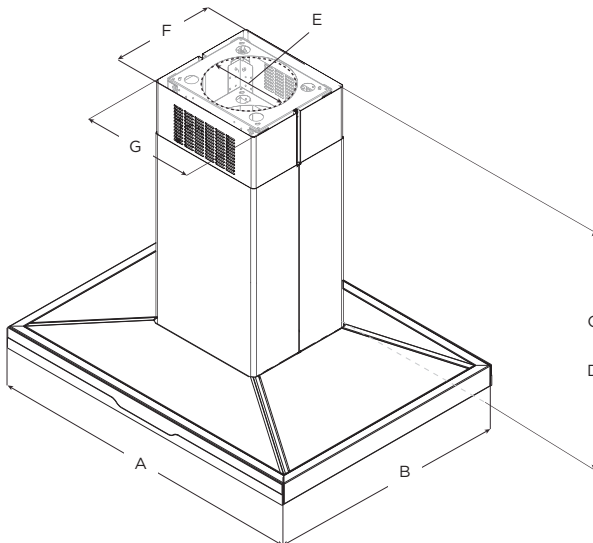
- Save Installation Instructions for electrical inspector's use.
- The range hood must be connected with copper wire only.
- The range hood should be connected directly to the fused disconnect (Or circuit breaker) box through metal electrical conduit.
- Wire sizes must conform to the requirements of the National Electrical Code ANSI/NFPA 70 — latest edition\*, or CSA Standards C22.1-94, Canadian Electrical Code Part 1 and C22.2 No. 0-M91 - latest edition\*\* and all local codes and ordinances.
- A U.L.- or C.S.A.-listed conduit connector must be provided at each end of the power supply conduit (at the range hood and at the junction box).

## BEFORE INSTALLING THE HOOD

- 1 For the most efficient air flow exhaust, use a straight run or as few elbows as possible.  
CAUTION: Vent unit to outside of building, only.
- 2 At least two people are necessary for installation.
- 3 Fittings material is provided to secure the hood to most types of walls/ceilings, consult a Qualified Installer, check if they perfectly fit with your cabinet/wall.
- 4 Do not use flex ducting.
- 5 COLD WEATHER installations should have an additional backdraft damper installed to minimize backward cold air flow and a nonmetallic thermal break to minimize conduction of outside temperatures as part of the ductwork. The damper should be on the cold air side of the thermal break.  
The break should be as close as possible to where the ducting enters the heated portion of the house.
- 6 Make up air: Local building codes may require the use of Make-Up Air Systems when using Ducted Ventilation Systems greater than specified CFM of air movement. The specified CFM varies from locale to locale. Consult your HVAC professional for specific requirements in your area.

Copies of the standards listed may be obtained from:  
 \* National Fire Protection Association Batterymarch Park Quincy, Massachusetts 02269  
 \*\* CSA International 8501 East Pleasant Valley Road Cleveland, Ohio 44131-5575

# DIMENSIONS AND CLEARANCES



	Models	
	ESI636SS	ESI642SS
<b>A</b>	36" (91.4 cm)	42" (106.7 cm)
<b>B</b>	27½" (69.6 cm)	
<b>C*</b>	Min: 32½" (82.3 cm) Max: 52½" (133.1 cm)	
<b>D**</b>	Min: 32½" (82.3 cm) Max: 46½" (118.1 cm)	
<b>E</b>	6" (15.24 cm)	
<b>F</b>	12⅞" (30.8 cm)	
<b>G</b>	13⅝" (33.5 cm)	

\* Ductless (Recirculating) version  
 \*\* Ducted version

# LIST OF MATERIALS

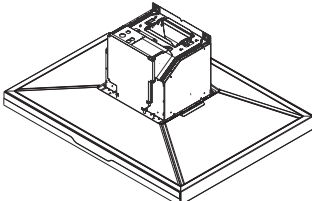







Removing the packaging.

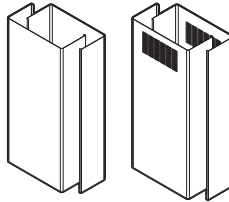
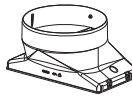

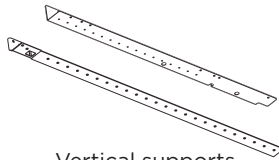
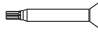
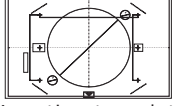
**I CAUTION**

Remove carton carefully, Wear gloves to protect against sharp edges.

**I WARNING**

Remove the protective film covering the product before putting into operation.

Supplied Part	Pieces
 <p>Hood assembly with blower and LED lamps already installed</p>	1
 <p>5x45 mm</p>	4
 <p>4.2x8 mm</p>	60
 <p>3.5x9.5 mm</p>	2
 <p>3.5x6.5 mm</p>	4
 <p>2.9x3 mm</p>	2
 <p>Leveling screws</p>	2
 <p>8x40 mm</p>	4

Supplied Part	Pieces
 <p>Lower and upper duct covers</p>	Upper: 2 Lower: 2
 <p>6" round air transition</p>	1
 <p>Duct cover brackets</p>	4
 <p>Vertical supports</p>	Upper: 4 Lower: 4
 <p>Torx adapter</p>	#10: 1 #20: 1
 <p>Mounting template</p>	1

Parts no supplied

**Tools/Materials required**

- Wire nuts
- Tape to mount template
- 6" (15.2 cm) rounded metal duct length to suit installation
- Measuring tape
- Pliers
- Gloves
- Knife
- Safety glasses
- Electric drill with 5/16" and 3/8" bits
- Strain relief
- Spirit level
- Duct tape
- Screwdrivers:
  - Phillips (Posidrive) #2
  - TORX #10, #20
- Wire cutter/stripper
- Masking tape
- Hammer
- Saw, jig saw or reciprocating saw

**Optional accessories and consumable parts**

KIT	# Part
<b>Recirculating Kit</b>	KIT0141924
<b>Long Chimney Extension</b>	KIT02721
<b>Charcoal Filter Replacement</b>	KIT0141918

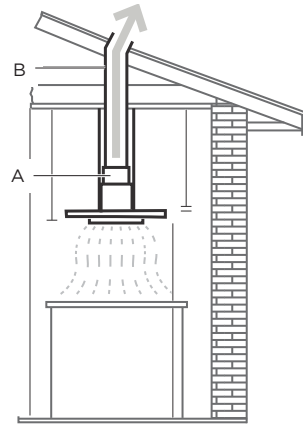
## Ducting options

Closely follow the instructions set out in this manual.

All responsibility, for any eventual inconveniences, damages or fires caused by not complying with the instructions in this manual, is declined.

### Ducting version

The hood is equipped with a 6" (15.2 cm) round transition for discharge of fumes to the outside.

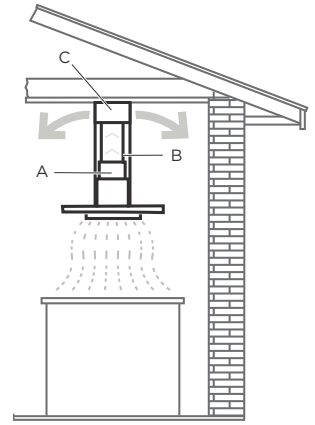


A. 6" round transition  
B. 6" round duct

### Ductless (Recirculating)

In cases where it should not be possible to discharge cooking fumes and vapour to the outside.

Attach a charcoal filter and the deflector on the duct cover support bracket. Fumes and vapours are recycled through the top grille by means of a duct connected to the transition and the transition mounted on the deflector. See accessories section.



A. 6" round transition  
B. 6" round duct  
C. Air deflector

### Preparation

Do not cut a joist or stud unless absolutely necessary. If a joist or stud must be cut, then a supporting frame must be constructed.

Fittings material is provided to secure the hood to most types of walls/ceilings.

However, a qualified technician must verify suitability of the materials in accordance with the type of wall/ceiling.

Before making cutouts, make sure there is proper clearance within the ceiling or wall for exhaust vent.

### Recommended installation height:

Hood installation height above cooktop is the users preference. The lower the hood is above the cooktop, the more efficient the capturing of cooking odors, grease and smoke.

### CAUTION

FOR GAS COOKTOP & RANGE INSTALLATIONS: MOUNT THE HOOD SO THE BOTTOM IS AT LEAST 30" (76.2 CM) ABOVE THE COOKING SURFACE.

FOR ELECTRIC/INDUCTION COOKTOP & RANGE INSTALLATIONS: MOUNT THE HOOD SO THE BOTTOM IS AT LEAST 24" (61 CM) ABOVE THE COOKING SURFACE.

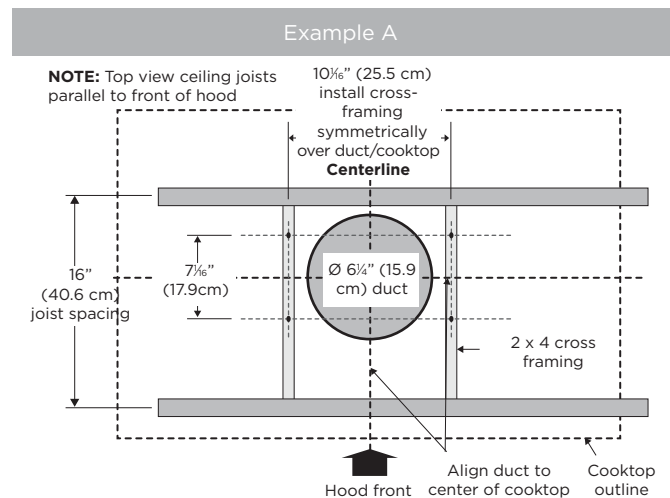
THERE IS NO MAXIMUM MOUNTING HEIGHT, HOWEVER, WE RECOMMEND MOUNTING THE HOOD NO GREATER THAN 36" ABOVE THE COOKING SURFACE. FOR EVERY INCH (2.54 CM) ABOVE 36", FUME AND MOISTURE CAPTURE EFFICIENCY DIMINISHES AT AN INCREASING RATE AND MAY NOT DELIVER AN ACCEPTABLE LEVEL OF VENTILATING PERFORMANCE. THIS HOOD IS INTENDED FOR HOUSEHOLD USE.

PLEASE READ THE INSTALLATION MANUAL FOR SPECIFIC APPLICATION. Check your ceiling height and hood height before selecting your hood.

## Installation

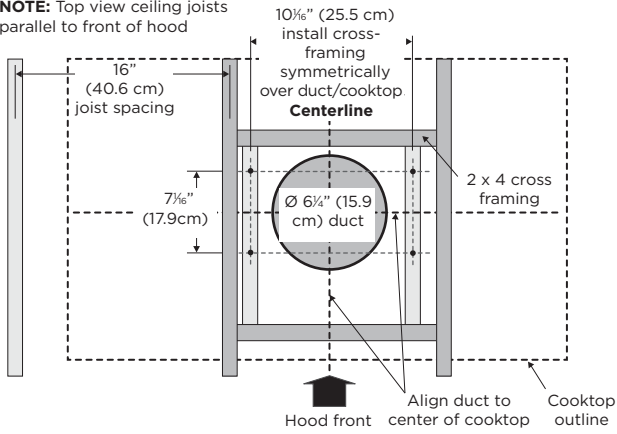
### Ceiling support structures

- This vent hood is heavy. Adequate structure and support must be provided in all types of installations.
- At the hood location, install 2"x 4" cross framing between ceiling joists as shown (2"x 4" are required to support the weight of the hood).
- Arrange cross framing in the ceiling to suit the existing structure.
- Your ceiling joists will be like one of the following:



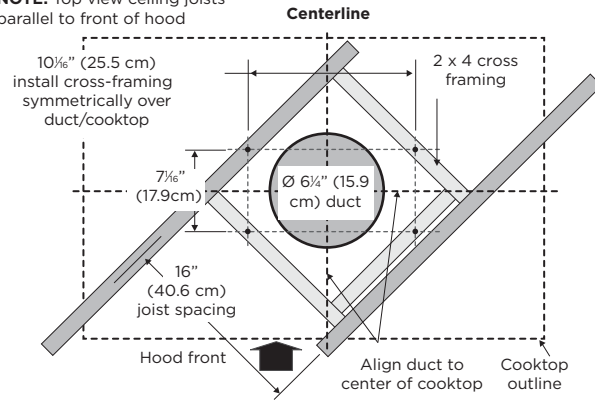
### Example B

**NOTE:** Top view ceiling joists parallel to front of hood



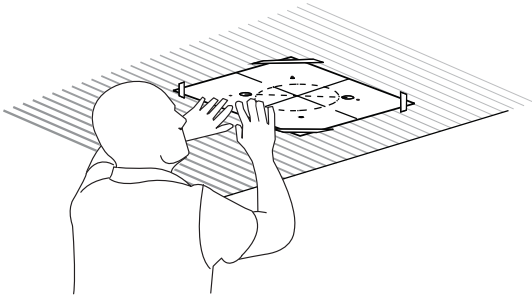
### Example C

**NOTE:** Top view ceiling joists parallel to front of hood

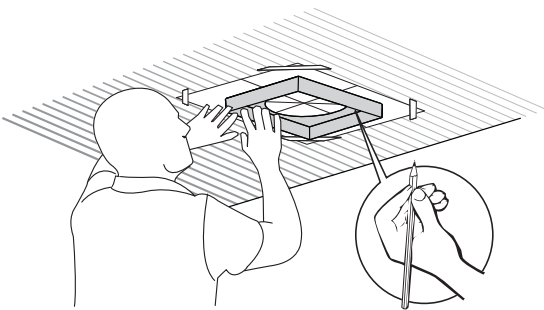


## Install Range Hood

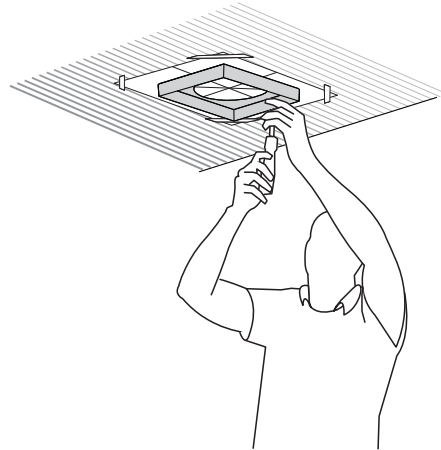
- 1 Place the template in the ceiling considering the instructions for ceiling support structures.  
**NOTE:** Always consider the front of hood legend when playing the template on the ceiling. It will define the control's location.



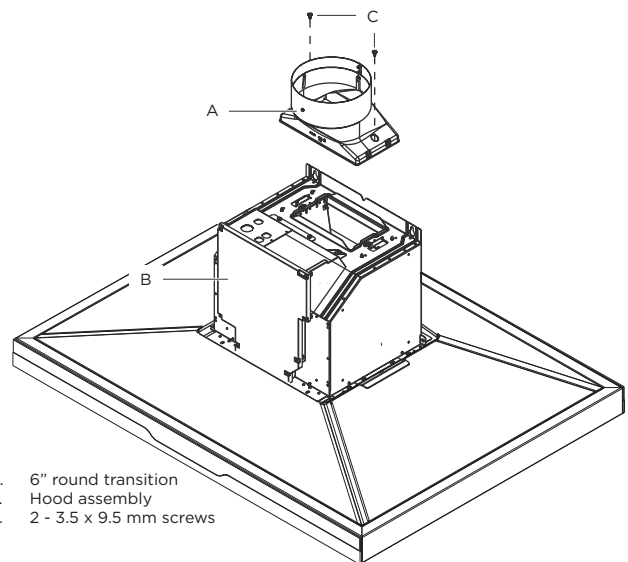
- 2 Mark with a pencil the hole locations for screws and duct in the ceiling.



- 3 Fix the upper horizontal support with 4 - 5 x 45 mm screws.

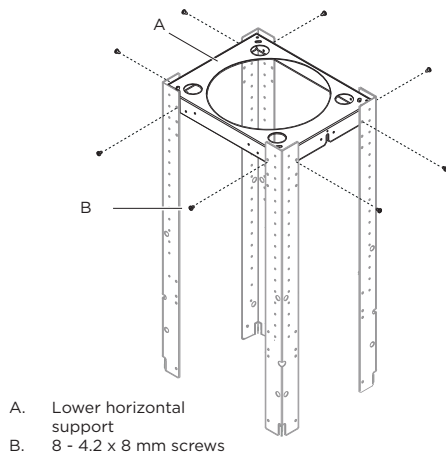


- 4 Install the 6" (15.2 cm) round transition with 2 - 3.5 x 9.5 mm screws.

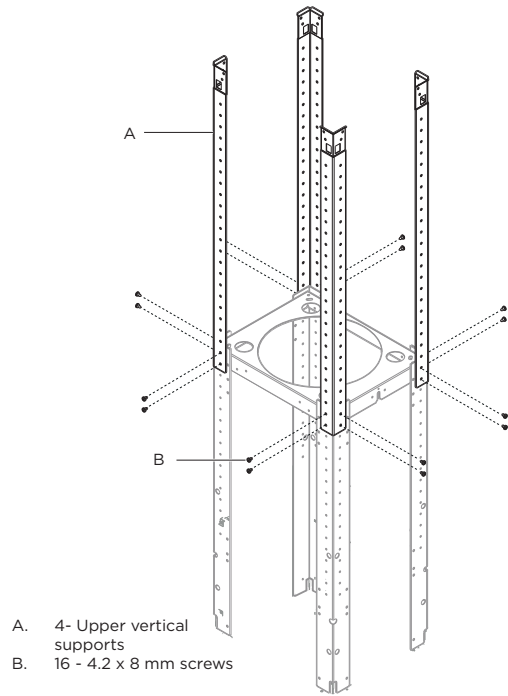


- A. 6" round transition
- B. Hood assembly
- C. 2 - 3.5 x 9.5 mm screws

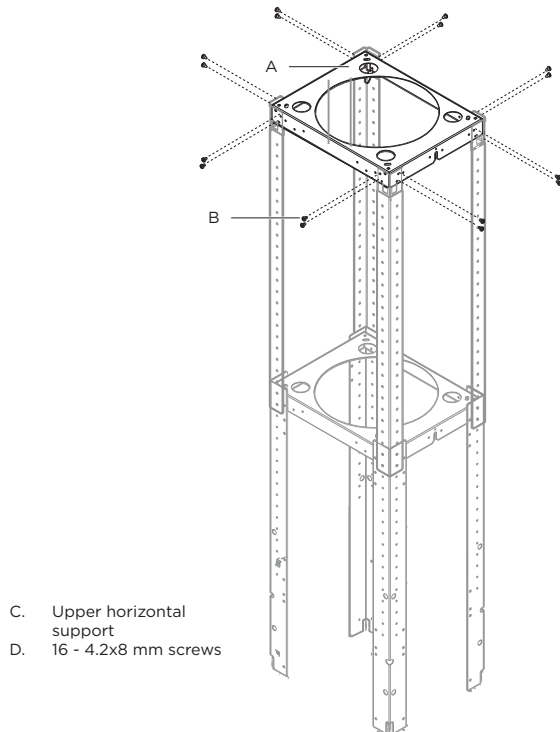
5 Install the lower horizontal support with 8 - 4.2 x 8 mm screws.



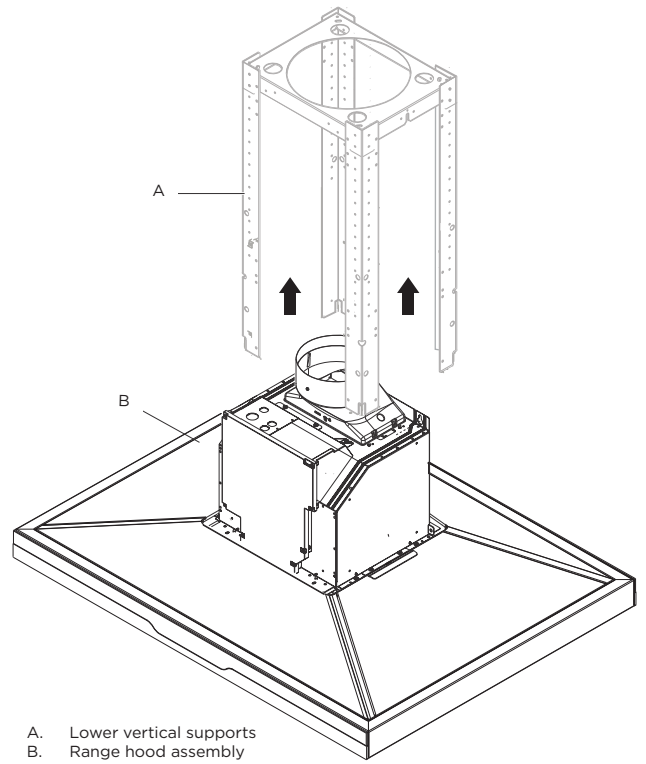
6 Install the 4 vertical supports with 16 - 4.2 x 8 mm screws.



7 Install the structure to the horizontal support with 16 - 4.2 x 8 mm screws.

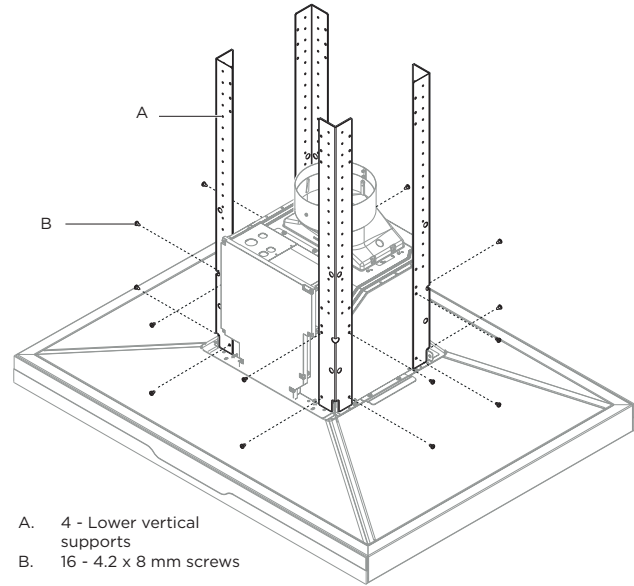
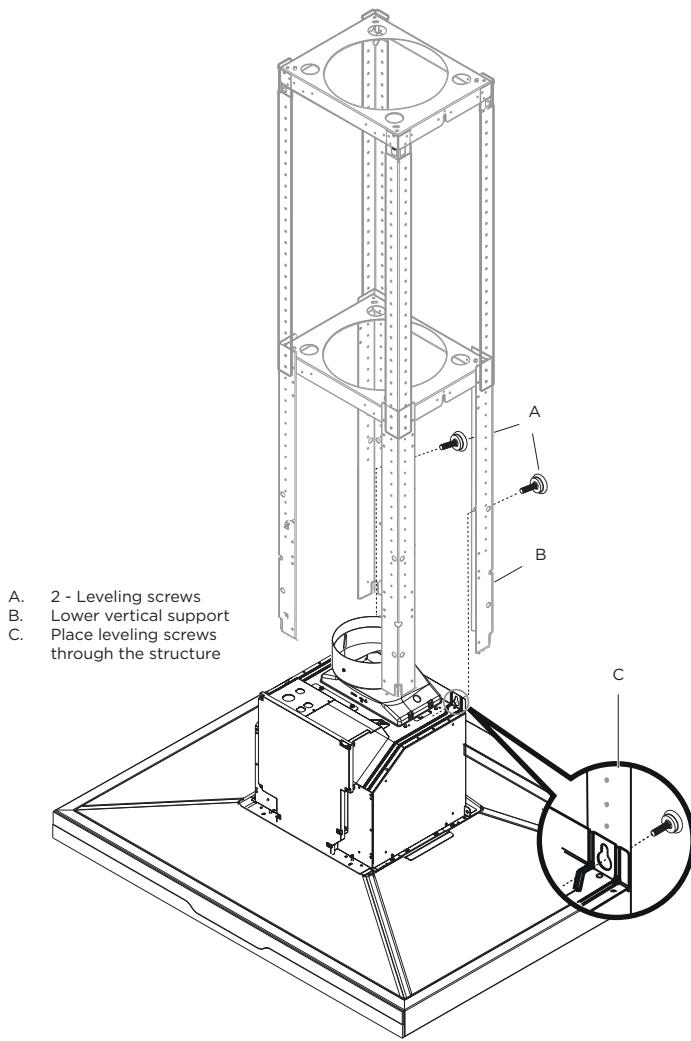


8 Using 2 or more people, lift the range hood assembly under the structure.

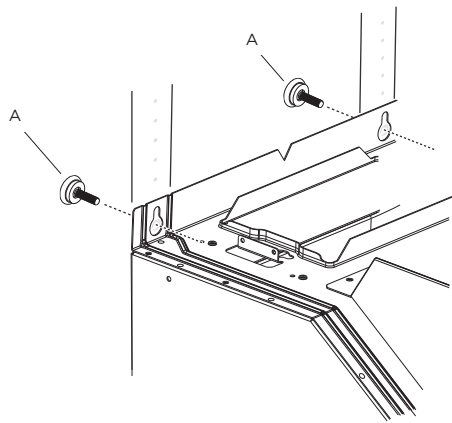


9 Attach the range hood assembly to the lower vertical supports with 2 leveling screws.

10 Install the 4 vertical supports with 16 - 4.2x8 mm screws. Check everything is tightly screwed.



11 Remove the 2 leveling screws from the structure.



## Electrical connection

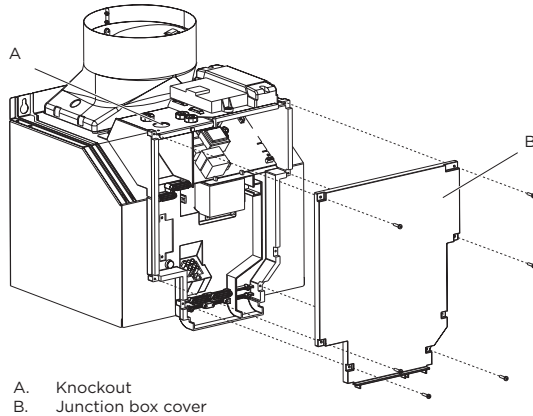
### WARNING

TO REDUCE THE RISK OF FIRE, USE ONLY METAL DUCT WORK.  
ELECTRICAL SHOCK HAZARD.

### WARNING

TURN OFF POWER CIRCUIT AT THE SERVICE PANEL  
BEFORE WIRING THIS UNIT.  
120 VAC, 15 OR 20 AMP CIRCUIT REQUIRED.

- Facing the front of the range hood, remove the left knockout and the Junction box cover and install the conduit connector (cULus listed) in junction box.



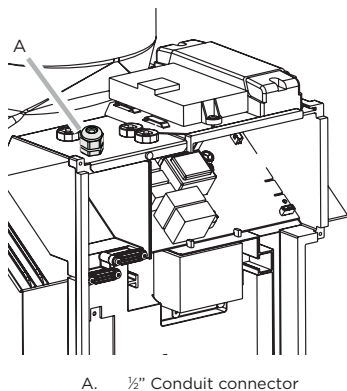
### ELECTRICAL GROUNDING INSTRUCTIONS

This appliance is fitted with an electrical junction box with 3 wires, one of which (green/yellow) serves to ground the appliance.

To protect you against electric shock, the green and yellow wire must be connected to the grounding wire in your home electrical system, and it must under no circumstances be cut or removed.

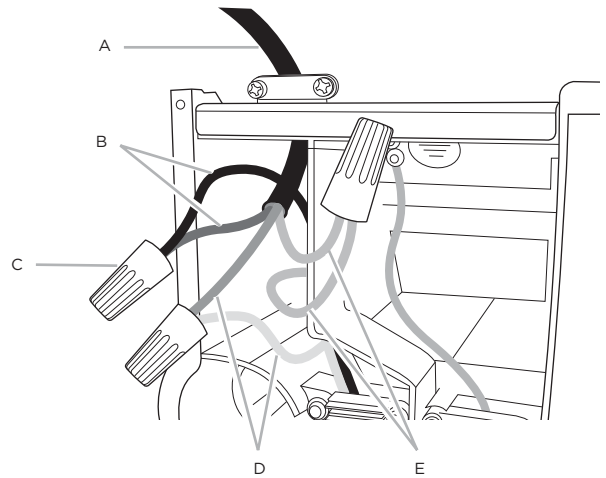
Failure to do so can result in death or electrical shock.

- If not already done, install a 1/2" conduit connector in junction box.



- Run home power supply cable through the conduit, into terminal box.
- Use UL listed wire connectors and connect black wires (B) together.

- Use UL listed wire connectors and connect white wires (D) together.



- |                              |  |
|------------------------------|--|
| A. Home power supply cable   | D. White wires                                   |
| B. Black wires               | E. Green (or bare) and yellow-green ground wires |
| C. UL listed wire connectors |  |

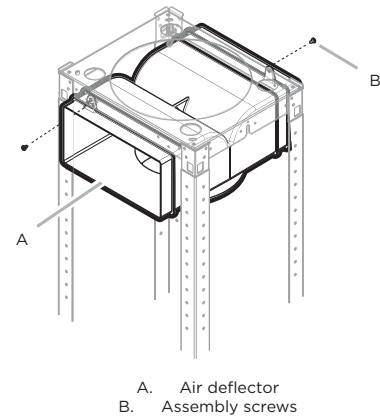
- Connect green (or bare) ground wire from home power supply to yellow-green ground wire (E) in terminal box using UL listed wire connectors.
- Tighten strain relief screw.
- Install terminal box cover.
- Check that all light bulbs are secure in their sockets.
- Reconnect power

## Complete the installation

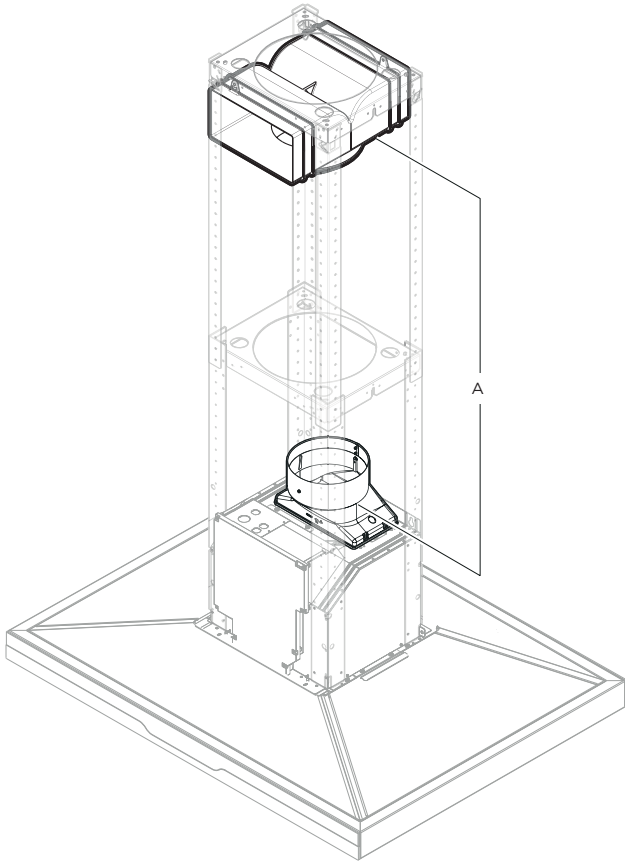
ONLY FOR RECIRCULATING VERSION  
(Using Recirculating Kit model KIT0141924)

### Air deflector installation

- Assemble the air deflector with the upper horizontal support with 2 assembly screws.



- Measure from the bottom of the air deflector to the bottom of the hood outlet, as shown.

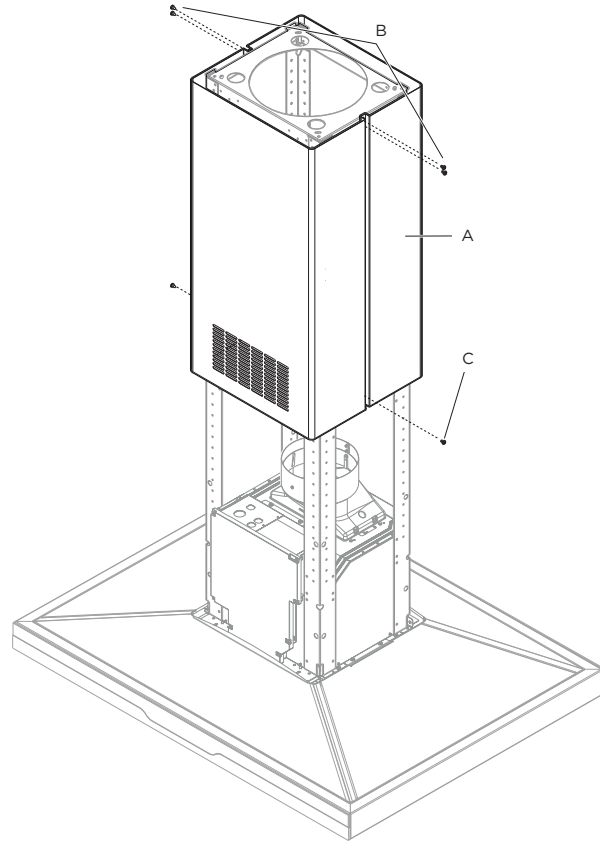


A. Dimension to measure

- Cut the duct at the measured size.
- Slip the duct onto the bottom of the deflector.
- Place the duct over the exhaust outlet from the hood.
- Use duct tape to seal the deflector and at the exhaust outlet from the hood.
- Place charcoal filters. See "Maintenance" section.

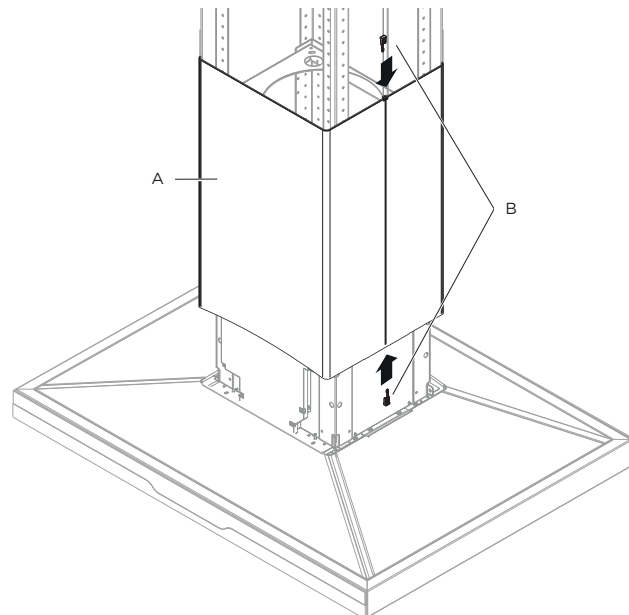
### Duct cover installation (both ducted and non ducted versions)

- Attach the upper duct covers using 6 - 3.5x6.5 mm screws.
- NOTE:** For non-ducted (recirculating) installation, the slotted holes in the upper duct covers will be visible when assembled. For ducted installations, the slotted holes will be hidden down inside the lower duct covers.



A. Upper duct covers  
 B. 4 - 3.5x6.5 mm installation screws  
 C. 2 - 2.9x3 mm screws

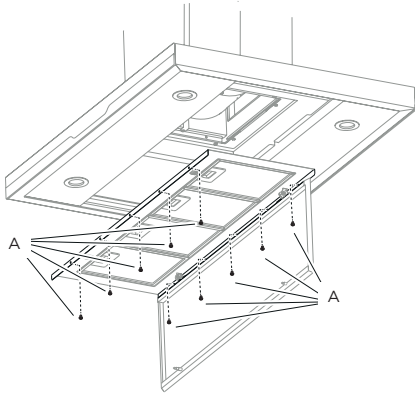
- Place lower duct covers using one plastic bracket at each side (4 needed).



A. Lower duct covers  
 B. 4 - Duct cover plastic bracket

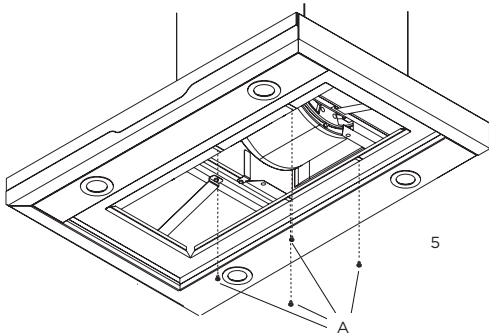


- Take apart the stainless steel panel by removing its screws as shown in drawing.



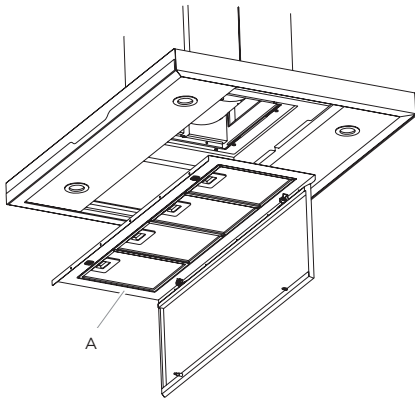
A. 10 - stainless steel panel screws

- Secure the lower duct cover to the range hood canopy using 4 - 4.2 x 8 mm screws.



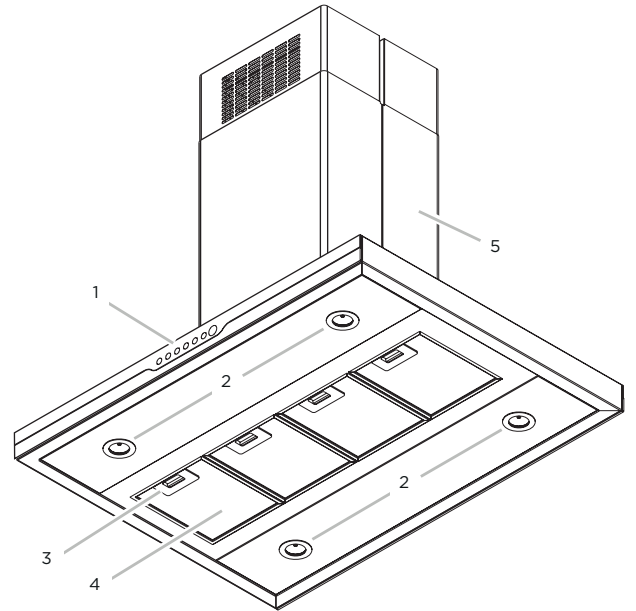
A. 4 - 4.2x8 mm screws

- Replace stainless steel panel using the screws that were previously removed. Place the panel to its original position.



A. Stainless steel panel

## Description of the hood



- Blower and LED lamp controls
- LED lamps
- Grease filter handle
- Grease filters
- Duct covers

## Control

### Description of control panel



- Button ON/OFF motor (stand by)
- Button for low speed (suction power) selection  
When flashing, it indicates that you must wash the grease filter.
- Button for medium speed (suction power) selection
- Button for high speed (suction power) selection.
- Button for intensive speed (suction power) selection  
it lasts 5 minutes then it returns to medium speed (suction power).
- Button ON/OFF lighting
  - Press briefly to switch on or off the lighting of the hood.
  - Press and hold to adjust the intensity of the light.
  - Press again to turn the lamps off.
- Automatic operation (sensor), connection with Golden Induction Cooktop® and Diamond Cooktop®.