

## INSTALLATION

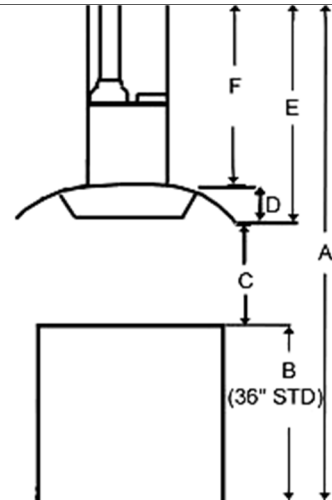
PLEASE READ ENTIRE INSTRUCTIONS BEFORE PROCEEDING

### Calculation before Installation

To calculate installation, please refer to TABLE 1. (All calculation in inches.)

**TABLE 1**

A = Height of Floor to Ceiling  
B = Height of Floor to Counter Top  
(Standard: 36")  
**C = Preferred Height of Counter Top to Hood  
Bottom (Recommended 30" to 36")**  
D = Height of Hood  
E = Height of the Hood Installation  
[A - (B+C)]  
F = Height of Duct Cover  
[E - D]



### **SAFETY WARNING**

**HOOD MAY HAVE VERY SHARP EDGES; PLEASE WEAR PROTECTIVE GLOVES IF REMOVING ANY PARTS FOR INSTALLING, CLEANING OR SERVICING.**

**NOTE: BE CAREFUL WHEN USING ELECTRICAL SCREWDRIVER, DAMAGE TO THE HOOD MAY OCCUR.**

## Preparation before Installation

NOTE: TO AVOID DAMAGE TO YOUR HOOD, PREVENT DEBRIS FROM ENTERING THE VENT OPENING.

- Decide the location of the venting pipe from the hood to the outside (Figure 1).
- A straight, short vent run will allow the hood to perform more efficiently.
- Try to avoid as many transitions, elbows, and long runs as possible. Transitions, elbows and/or long runs may reduce the performance of the hood.
- Temporarily wire the hood to test for proper operation before installing.
- **Important: Peel protective film off the hood and duct covers, if any.**
- Use duct tape to seal the joints between pipe sections.

## Hood Installation

**⚠ CAUTION: USE HAND TOOLS ONLY. DO NOT OVER TIGHTEN SCREWS. IT MAY CAUSE DAMAGE TO THE HOOD.**

**⚠ CAUTION: If moving the cooking range is necessary to install the hood, turn off the power in an electric range at the main electrical box. SHUT OFF THE GAS BEFORE MOVING A GAS RANGE. And use a protective covering to protect cooktop and/or countertop from damage.**

1. Mark centerlines of cook top or range on ceiling. Use centerlines marked on ceiling to position the range hood as shown in Figure 2.
2. Cut and remove ceiling drywall. Install 2" x 4" cross framing lumber (not provided) between ceiling joists.
3. The framing should be spaced 9-1/2" at the front centerline and 7-3/4" on the sides. Refer to Figure 3.
4. Finish the ceiling surface. Be sure to mark the location of the ceiling joists and cross framing lumber.
5. Cut a 7-1/2" duct opening and approximately a 1" wire access hole. Secure four hood mounting screws (not provided) into the ceiling joint and cross framing lumber, leaving 1/8" away from the cabinet as shown on Figure 4. Make sure screws are driven into the ceiling at the middle of joists and cross framing lumber for maximum support and stability.

Figure 1

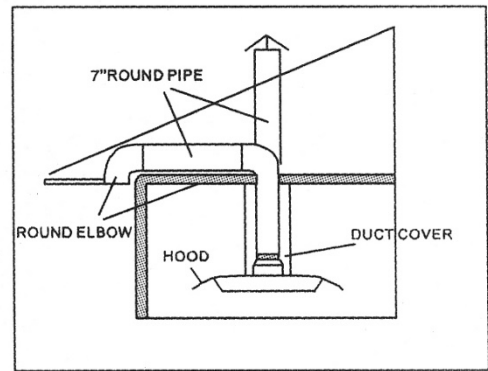


Figure 2

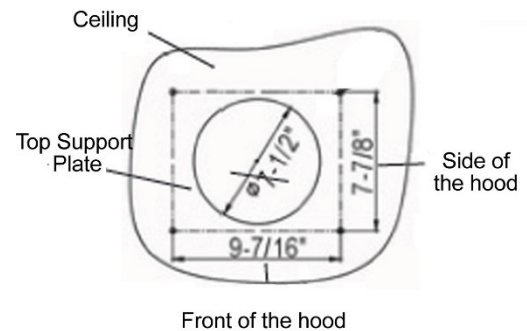


Figure 3

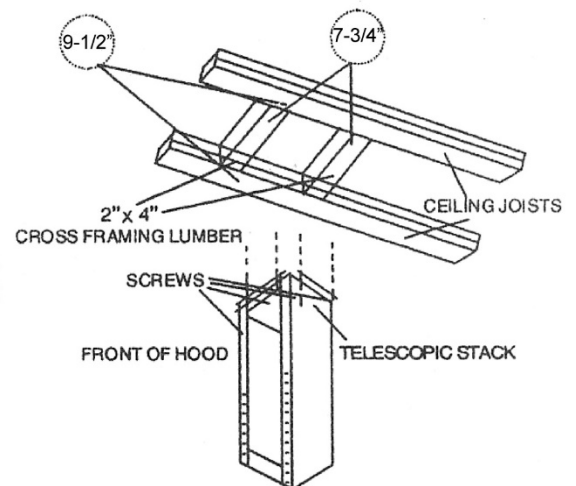
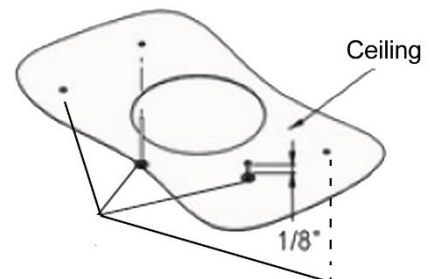


Figure 4



## Telescopic Stack Installation

- Adjust the telescopic stack with sixteen screws and washer (pre-installed). Refer to Figure 5.
- Align the telescopic stack to the mounting screws on the ceiling and lock the telescopic stack in place. Fasten the mounting screws as shown in Figure 6.
- Slide the duct covers up the telescopic stack, and temporary hold the duct covers up.

**⚠ CAUTION: MAKE SURE THE TELESCOPIC STACK IS SECURE BEFORE RELEASING.**

## Hood Installation

- Remove the four screws and washers from top of the hood body. Position and install the glass canopy onto the hood body with the four screws and washer.
- Install the two flappers (provided) onto the exhaust. Refer to Figure 7.
- Align the hood with the telescopic stack and secure the hood body onto the telescopic stack with sixteen 4mm x 8mm screw (provided). Refer to Figure 8.

**⚠ CAUTION: MAKE SURE THE HOOD IS SECURE BEFORE RELEASING.**

Figure 5

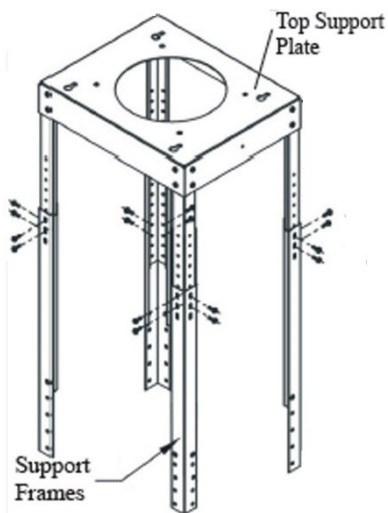


Figure 6

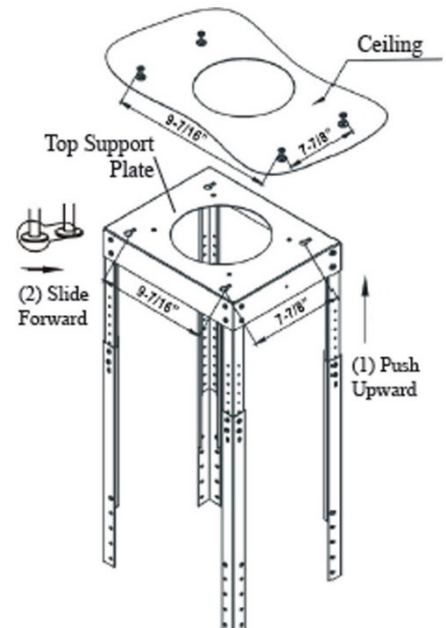


Figure 7

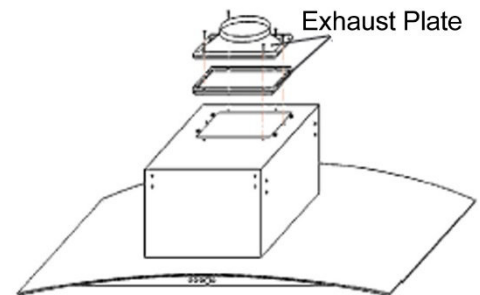
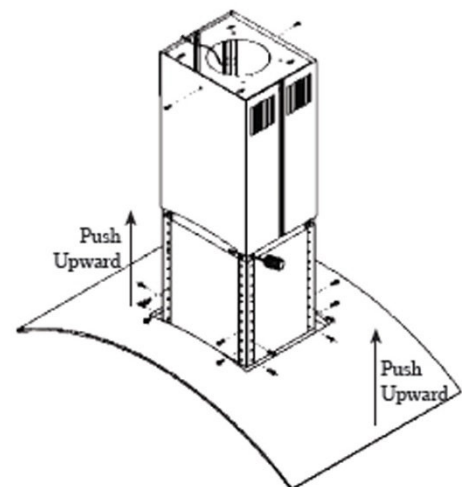


Figure 8



### **Wiring to Power Supply**

**⚠ THIS RANGE HOOD MUST BE PROPERLY GROUNDED. MAKE SURE THIS IS DONE BY QUALIFIED ELECTRICIAN IN ACCORDANCE WITH ALL APPLICABLE NATIONAL AND LOCAL ELECTRICAL CODES. BEFORE CONNECTING WIRES, SWITCH POWER OFF AT SERVICE PANEL AND LOCK SERVICE PANEL TO PREVENT POWER FROM BEING SWITCHED ON ACCIDENTALLY.**

12. Route house wiring into the ceiling as close to the installation location as possible. Allow additional length of wiring to drop down from the ceiling to the electric box.
13. Connect the electrical wires according to color (green to green, white to white, and black to black) and cap with wire connectors. Green wire must be grounded to reduce risk of electric shock.

### **Ductwork Installation**

14. Use 6" round aluminum or steel pipe (not provided) to connect the plastic

### **Duct Cover Installation**

15. Place the two sections of the inner duct cover on the telescopic stack and clip together. Secure it to the top of the telescopic stack with two 4mm x 8mm screws and conical screw washers (provided).
16. Place the two sections of the outer duct cover on the telescopic stack and clip together. Slide it downward so that it sits properly on the hood.

### **Final Assembly**

17. Install the Baffle Filters.
18. Turn power ON in control panel. Check all lights and fan operation.
19. Make sure to leave this manual for the homeowner.