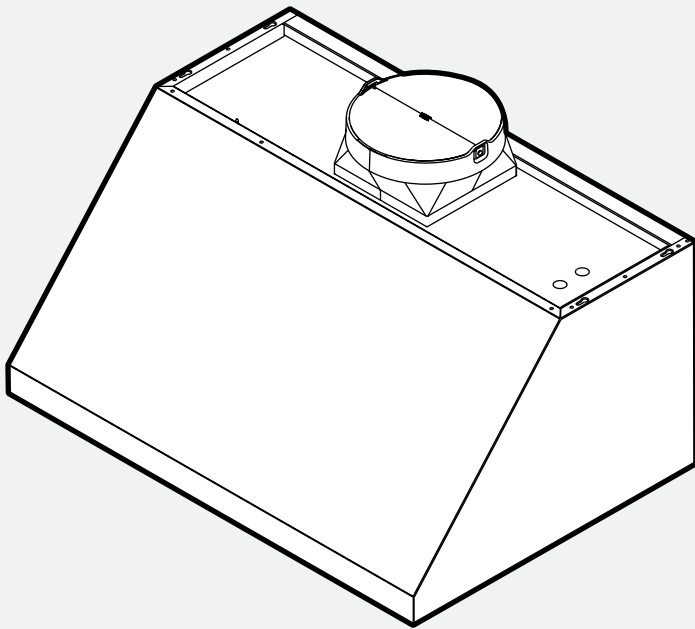


Use, Care, and Installation Guide

Guide
d'utilisation,
d'entretien et
d'installation

Guía de
instalación, uso y
mantenimiento



READ AND SAVE THESE
INSTRUCTIONS

LISEZ CES
INSTRUCTIONS ET
CONSERVEZ-LES

LEA Y CONSERVE
ESTAS INSTRUCCIONES

Models: | ECL630S3
ECL136S3
ECL142S3
ECL148S3

Contents

Important safety notice..... 3

 Electrical & installation requirements 4

 Before installing the hood 4

Dimensions and clearances..... 4

List of materials.....5

 Parts supplied5

 Parts not supplied5

Ducting options and examples..... 6

Installation 6

 Venting methods.....7

 Wall installation..... 8

 Cabinet installation..... 9

 Electrical connection..... 11

 Complete the installation..... 11

Description of the hood.....11

Control.....11

Maintenance12

Warranty 13

**APPROVED FOR RESIDENTIAL APPLIANCES
FOR RESIDENTIAL USE ONLY
READ AND SAVE THESE INSTRUCTIONS**

**PLEASE READ ENTIRE INSTRUCTIONS BEFORE PROCEEDING.
INSTALLATION MUST COMPLY WITH ALL LOCAL CODES.**

IMPORTANT: Save these Instructions for the Local Electrical Inspector's use.
INSTALLER: Please leave these Instructions with this unit for the owner.
OWNER: Please retain these instructions for future reference.

Safety Warning: Turn off power circuit at service panel and lock out panel, before wiring this appliance.
Requirement: 120 V AC, 60 Hz. 15 or 20 A Branch Circuit.

IMPORTANT SAFETY NOTICE

CAUTION

FOR GENERAL VENTILATING USE ONLY. DO NOT USE TO EXHAUST HAZARDOUS OR EXPLOSIVE MATERIALS OR VAPOURS.

WARNING

TO REDUCE THE RISK OF FIRE, ELECTRIC SHOCK, OR INJURY TO PERSONS, OBSERVE THE FOLLOWING:

- A. Use this unit only in the manner intended by the manufacturer. If you have questions, contact the manufacturer.
- B. Before servicing or cleaning the unit, switch power off at service panel and lock service panel disconnecting means to prevent power from being switched on accidentally.
When the service disconnecting means cannot be locked, securely fasten a prominent warning device, such as a tag, to the service panel.
- C. Installation work and electrical wiring must be done by qualified person(s) in accordance with all applicable codes & standards, including fire-rated construction.
- D. Sufficient air is needed for proper combustion and exhausting of gases through the flue (Chimney) of fuel burning equipment to prevent back-drafting.
Follow the heating equipment manufacturers guideline and safety standards such as those published by the national fire protection association (NFPA), the american society for heating, refrigeration and air conditioning engineers (ASHRAE), and the local code authorities.
- E. When cutting or drilling into wall or ceiling, do not damage electrical wiring and other hidden utilities.
- F. Ducted fans must always be vented to the outdoor.

CAUTION

To reduce risk of fire and to properly exhaust air, be sure to duct air outside - do not vent exhaust air into spaces within walls, ceilings, attics, crawl spaces, or garages.

WARNING

TO REDUCE THE RISK OF FIRE, USE ONLY METAL DUCT WORK.

Install this hood in accordance with all requirements specified.

WARNING

To reduce the risk of fire or electric shock, do not use this hood with any external solid state speed control device.

WARNING

TO REDUCE THE RISK OF A RANGE TOP GREASE FIRE.

- a) Never leave surface units unattended at high settings. Boilovers cause smoking and greasy spillovers that may ignite. Heat oils slowly on low or medium settings.
- b) Always turn hood ON when cooking at high heat or when flambeing food (I.e. Crepes Suzette, Cherries Jubilee, Peppercorn Beef Flambe').
- c) Clean ventilating fans frequently. Grease should not be allowed to accumulate on fan or filter.
- d) Use proper pan size. Always use cookware appropriate for the size of the surface element.

WARNING

TO REDUCE THE RISK OF INJURY TO PERSONS, IN THE EVENT OF A RANGE TOP GREASE FIRE, OBSERVE THE FOLLOWING:^a

- a) SMOTHER FLAMES with a close-fitting lid, cookie sheet, or other metal tray, then turn off the gas burner or the electric element. BE CAREFUL TO PREVENT BURNS. If the flames do not go out immediately, EVACUATE AND CALL THE FIRE DEPARTMENT.
- b) NEVER PICK UP A FLAMING PAN - you may be burned.
- c) DO NOT USE WATER, including wet dishcloths or towels - a violent steam explosion will result.
- d) Use an extinguisher ONLY if:
 - 1) You know you have a class ABC extinguisher, and you already know how to operate it.
 - 2) The fire is small and contained in the area where it started.
 - 3) The fire department is being called.
 - 4) You can fight the fire with your back to an exit.

^aBased on "Kitchen Fire Safety Tips" published by NFPA.

CAUTION

Automatically Operated Device - To Reduce The Risk Of Injury Disconnect From Power Supply Before Servicing.

ELECTRICAL & INSTALLATION REQUIREMENTS

IMPORTANT

Observe all governing codes and ordinances.

It is the customer's responsibility:

- To contact a qualified electrical installer.
- To assure that the electrical installation is adequate and in conformance with National Electrical Code, ANSI/NFPA 70 — latest edition*, or CSA Standards C22.1-94, Canadian Electrical Code, Part 1 and C22.2 No.0-M91-latest edition** and all local codes and ordinances.
- If codes permit and a separate ground wire is used, it is recommended that a qualified electrician determine that the ground path is adequate.
- Do not ground to a gas pipe.
- Check with a qualified electrician if you are not sure range hood is properly grounded.
- Do not have a fuse in the neutral or ground circuit.

IMPORTANT

- Save Installation Instructions for electrical inspector's use.
- The range hood must be connected with copper wire only.
- The range hood should be connected directly to the fused disconnect (Or circuit breaker) box through metal electrical conduit.
- Wire sizes must conform to the requirements of the National Electrical Code ANSI/NFPA 70 — latest edition*, or CSA Standards C22.1-94, Canadian Electrical Code Part 1 and C22.2 No. 0-M91 - latest edition** and all local codes and ordinances.
- A U.L.- or C.S.A.-listed conduit connector must be provided at each end of the power supply conduit (at the range hood and at the junction box).

Copies of the standards listed may be obtained from:

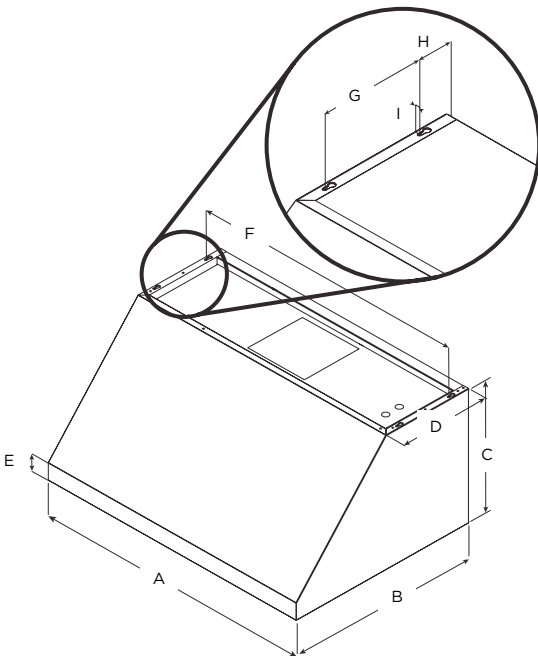
* National Fire Protection Association Batterymarch Park Quincy, Massachusetts 02269

** CSA International 8501 East Pleasant Valley Road Cleveland, Ohio 44131-5575

BEFORE INSTALLING THE HOOD

- 1 For the most efficient air flow exhaust, use a straight run or as few elbows as possible.
CAUTION: Vent unit to outside of building, only.
- 2 At least two people are necessary for installation.
- 3 Fittings material is provided to secure the hood to most types of walls/ceilings, consult a Qualified Installer, check if they perfectly fit with your cabinet/wall.
- 4 Do not use flex ducting.
- 5 COLD WEATHER installations should have an additional backdraft damper installed to minimize backward cold air flow and a nonmetallic thermal break to minimize conduction of outside temperatures as part of the ductwork. The damper should be on the cold air side of the thermal break.
The break should be as close as possible to where the ducting enters the heated portion of the house.
- 6 Make up air: Local building codes may require the use of Make-Up Air Systems when using Ducted Ventilation Systems greater than specified CFM of air movement. The specified CFM varies from locale to locale. Consult your HVAC professional for specific requirements in your area.

PRODUCT DIMENSIONS



	Models			
	ECL630S3	ECL136S3	ECL142S3	ECL148S3
A	30"(76 cm)	36"(91.1 cm)	42"(106.5 cm)	48"(121.7 cm)
B	25" (63.5 cm)			
C	18" (45.7 cm)			
D	12" (30.3 cm)			
E	1½" (5.7 cm)			
F	29½" (74 cm)	35½" (89.2 cm)	41½" (104.5 cm)	47½" (119.7 cm)
G	7½" (19 cm)			
H	2¾" (6.5 cm)			
I	¾" (1 cm)			

LIST OF MATERIALS

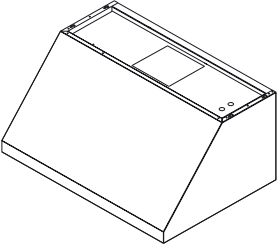
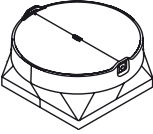


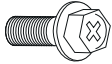




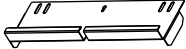
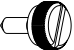
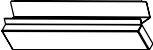
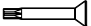
Removing the packaging.

⚠ CAUTION

Remove carton carefully, wear gloves to protect against sharp edges.

⚠ WARNING

Remove the protective film covering the product before putting into operation.

Supplied Part	Pieces	Supplied Part	Pieces
 Hood assembly and LED lamps already installed	1	 10" round air transition	1
 6x80 mm	4	 Ø 6.4x11 mm washers	5
 6x16 mm	5	 Ø 5.3x20 mm washers	2
 3.5x9.5 mm	4	 10x50 mm wall anchors	2
 4.2x19 mm	6	 Drip tray bracket	30", 36", 42": 1 48": 2
 Drip tray screws	4	 Drip tray	30", 36", 42": 2 48": 3
 Torx 20 adapter	1		

Parts no supplied

Tools/Materials required

- Level
- Drill with 1/4" (3.0 cm), 1/8" (3.0 mm), 1/16" (4.8 mm) drill bits
- Pencil
- Wire stripper or utility knife
- Tape measure or ruler
- Pliers
- Caulking gun and weatherproof caulking compound
- Vent clamps
- Saber or keyhole saw
- Metal snips
- Screwdrivers:
 - Phillips
 - Flat-blade

Optional accessories and consumable parts

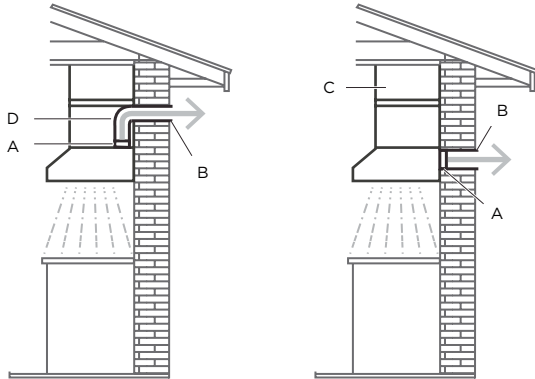
KIT	# Part			
	30" (76 cm)	36" (91.54 cm)	42" (106.5 cm)	48" (121.7 cm)
Long Chimney Extension Kit 6"	KIT02159	KIT02158	KIT02622	KIT02164
Long Chimney Extension Kit 12"	KIT02160	KIT02161	KIT02623	KIT02165
Heat Lamp w/ 2 - 175W Bulbs Kit	KIT0142857	KIT0142858	KIT0142861	KIT0142863
Stainless Back Splash and Warm Racks Kit	KIT0142864	KIT0142867	KIT0142868	KIT0142870

Ducting Options

Closely follow the instructions set out in this manual. All responsibility, for any eventual inconveniences, damages or fires caused by not complying with the instructions in this manual, is declined.

Horizontal Discharge

Use a 10" (25.4 cm) round vent system and a 10" (25.4 cm) round transition for discharge of fumes to the outside.

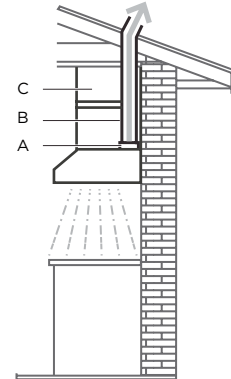


A. 10" (25.4 cm) round transition
B. 10" (25.4 cm) duct

C. Cabinet
D. 90° elbow

Vertical Discharge

Use a 10" (25.4 cm) round vent system and a 10" (25.4 cm) round transition for discharge of fumes to the outside.



A. 10" (25.4 cm) round transition
B. 10" (25.4 cm) duct
C. Cabinet

Preparation

Do not cut a joist or stud unless absolutely necessary. If a joist or stud must be cut, then a supporting frame must be constructed.

Fittings material is provided to secure the hood to most types of walls/ceilings.

However, a qualified technician must verify suitability of the materials in accordance with the type of wall/ceiling.

Before making cutouts, make sure there is proper clearance within the ceiling or wall for exhaust vent.

⚠ CAUTION

For gas cooktop & range installations: Mount the hood so the bottom is at least 30" (76.2 cm) above the cooking surface.

For electric/induction cooktop & range installations: Mount the hood so the bottom is at least 24" (61 cm) above the cooking surface.

There is no maximum mounting height, however, we recommend mounting the hood no greater than 36" (91.4 cm) above the cooking surface. For every inch (2.54 cm) above 36" (91.4 cm), fume and moisture capture efficiency diminishes at an increasing rate and may not deliver an acceptable level of ventilating performance.

This hood is intended for household use.

PLEASE READ THE INSTALLATION MANUAL FOR SPECIFIC APPLICATION. Check your ceiling height and hood height before selecting your hood.

Installation

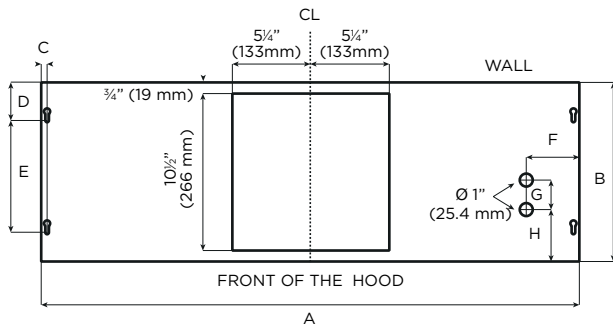
- It is recommended that the vent system be installed before hood is installed.
- If you are installing the optional backsplash with shelves for heat lamps, follow the instructions included with that product.
- If possible, disconnect and move freestanding or slide-in range from cabinet opening to provide easier access to rear wall.
- Before making cutouts, make sure there is proper clearance within the ceiling or wall for exhaust vent.
- Check that all installation parts have been removed from the shipping carton.

- Disconnect power.
- Determine which venting method to use: roof or wall exhaust.
NOTE: This hood is factory set to vent through the top air exit. If you decide to use the rear vent exit, you have to remove the rear vent cover and relocate it to the top vent exit.
- Select a flat surface for assembling the range hood. Place covering over that surface.

Veting Methods

Outside Top exhaust

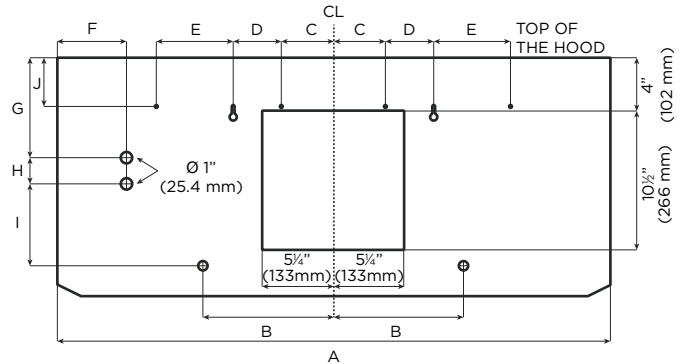
Vertical duct \varnothing 10" (25.4 cm)
Use the diagram or the hood as a template and mark the locations on the cabinet's bottom or roof for ductwork, electrical wiring and keyhole screw slots.



	ECL630S3	ECL136S3	ECL142S3	ECL148S3
A	30" (760 mm)	36" (912 mm)	42" (1066 mm)	48" (1217 mm)
B	12" (305 mm)			
C	1" (25.4 mm)			
D	2 3/8" (65 mm)			
E	7 1/2" (190 mm)			
F	3 3/8" (90 mm)	5 5/8" (150 mm)		6 3/8" (164 mm)
G	2" (50 mm)			
H	3 1/2" (89 mm)			

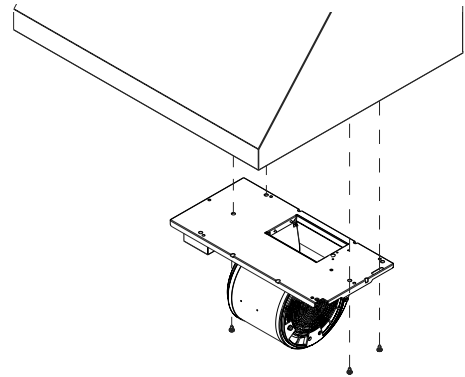
Outside rear exhaust

Horizontal duct \varnothing 10" (25.4 cm)
Use the diagram or the hood as a template and mark the locations on the wall for ductwork, electrical wiring and keyhole screw slots.



	ECL630S3	ECL136S3	ECL142S3	ECL148S3
A	30" (760 mm)	36" (912 mm)	42" (1066 mm)	48" (1217 mm)
B	9 7/8" (250 mm)			
C	4" (100 mm)			
D	7 9/16" (192.6 mm)			
E	3 7/8" (87 mm)	5" (127 mm)	5 1/2" (147 mm)	6 3/8" (167 mm)
F	2 5/8" (75 mm)		5 5/8" (135 mm)	5 7/8" (149 mm)
G	7 1/2" (192 mm)			
H	2" (50 mm)			
I	6 3/8" (157 mm)			
J	3 3/8" (94 mm)			

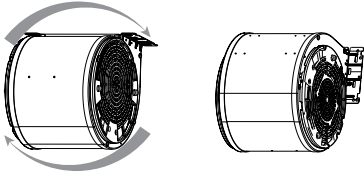
- Remove the grease filters.
- Remove the blower mounting screws. Put the screws in a safe place in order to use them again.



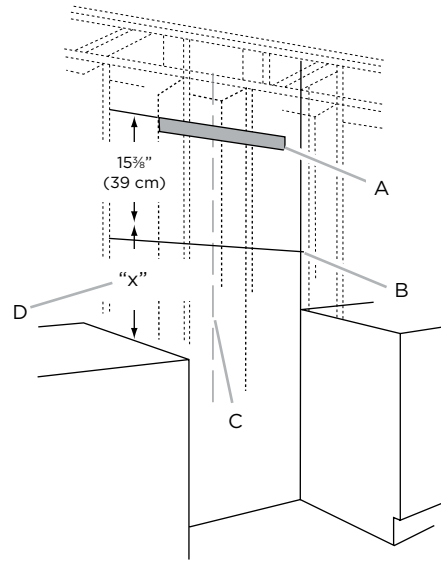
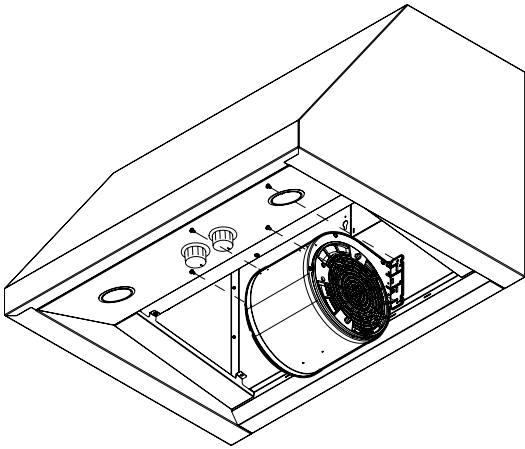
- Set free the two blower springs from the top of the range hood housing.



- 4 Flip the blower base to the rear face of the range hood.



- 5 Insert the two blower springs to the top of the range hood housing. Secure it with the four mounting screws previously released.



A. Wood support
B. Bottom of range hood
C. Centerline
D. Dimension "X" = range hood mounting height

NOTE: The screws provided for mounting this range hood must be fastened into solid wood; do not fasten into sheetrock only.

Complete Preparation

- 1 Determine and make all necessary cuts in the wall or roof for the vent system. Install the vent system before installing the range hood. See the "Venting Methods" section.
- 2 Determine the location where the power supply cable will be run through the wall.
- 3 Drill a 1 1/4" (3.2 cm) hole at this location.
- 4 Pull enough power supply cable through the wall to allow for easy connection to the terminal box.
- 5 Remove terminal box cover and set aside.
- 6 Remove knockout from the back of the range hood and install a UL listed or CSA approved 1/2" (1.3 cm) strain relief.
- 7 Place the range hood near its mounting position and run the power supply cable through the strain relief into terminal box (enough to make connection).
- 8 Tighten the strain relief screws.

Mounting the Hood

The range hood attaches to the wall by the 2 mounting screws in the wood support mounted to the wall.

- 1 Using 2 or more people, hang the range hood on the wall by placing the slotted holes in the range hood back over the 2 screws mounted to the wood support mounted to the wall.

NOTE: If your installation uses the optional duct cover, the vent system needs to be connected to the range hood and the duct cover mounted to the top of the range hood before tightening the mounting screws.

Wall Installation

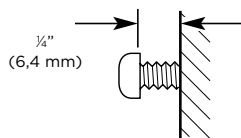
⚠ WARNING

USE TWO OR MORE PEOPLE TO MOVE AND INSTALL RANGE HOOD. FAILURE TO DO SO CAN RESULT IN BACK OR OTHER INJURY.

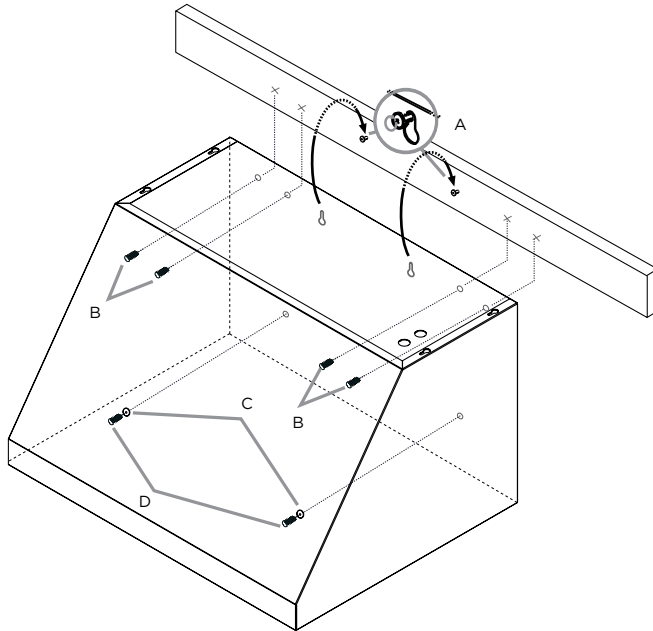
IMPORTANT: Framing must be capable of supporting up to 150 lbs.

The hood is attached to the wall with the wood support that is attached to the back of the hood.

- Determine and mark the centerline on the wall where the canopy hood will be installed.
- Select a mounting height "X".
For gas cooktop & range installations: Mount the hood so the bottom is at least 30" (76.2 cm) above the cooking surface.
For electric/induction cooktop & range installations: Mount the hood so the bottom is at least 24" (61 cm) above the cooking surface.
- Mark a horizontal reference line on the wall.
- Remove the wood support from the back of the range hood by loosening the 2 screws from the inside. Locate and level the top of the wood support 15 3/8" (39.1 cm) above the marked horizontal line and centered on the vertical centerline. Using 2 of the 4 of the 6 x 80 mm screws, install wood support so that it is screwed into at least 2 vertical studs.
- Leave a 1/4" (6.4 mm) gap between the wall and the back of the screw head to slide range hood into place 1/4" (6.4 mm).



- 2 Push the range hood up into the narrow slots, align the bottom of the hood to the horizontal line, level the hood, and tighten the 2 mounting screws.
- 3 Mark 2 lower mounting hole center point locations. Drill $\frac{1}{8}$ " (0.32 cm) pilot holes if the holes are located into wood. If holes are not located into wood, drill two $\frac{3}{8}$ " (0.95 cm) pilot holes and insert 10 x 50 mm wall anchors. Install 2 - 6 x 80 mm screws with D5.3 x 20 mm washers into the lower mounting anchors and tighten.

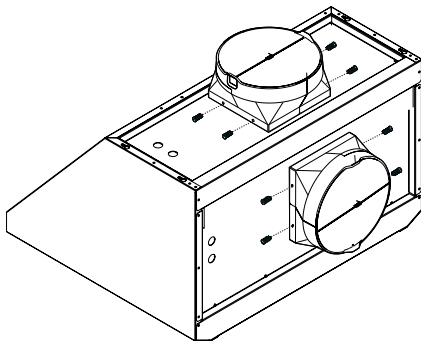


A. Mounting screws
 B. 4 screws - 4.2 x 19 mm
 C. 2 D5.3 x 20 mm washers
 D. 2 screws - 6 x 80 mm

- 4 Install 4 - 4.2 x 19 mm screws through the back of the hood into the wood support and tighten.
- 5 Connect vent system to hood. Seal all joints with clamps.

Install Transition

- Install the 10" (25.4 cm) square x 10" (25.4 cm) round vent transition with damper to top or rear side of the range hood (depending on your installation), using 4 - 3.5 x 9.5 mm screws.

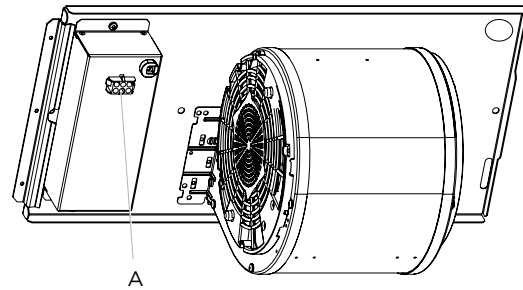


NOTE: The exhaust adaptor/damper can be installed up to 1 inch on either side of the hood center to accommodate off-center ductwork. In extreme off-center installations, one end of the duct connector may need to be trimmed to clear the electrical cable clamp.

Install Range Hood Internal Blower Motor

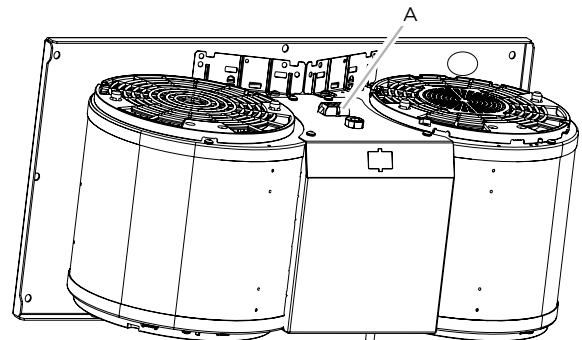
- 1 Remove grease filters from range hood. See the "Maintenance" section in the Use and Care Guide.
- 2 Install the range hood blower motor assembly inside the range hood canopy with the wiring connection to the left for the single motor system and to the front or top for the dual motor system.

Single blower motor assembly



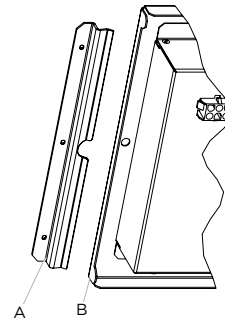
A. Wiring connection

Dual blower motor assembly



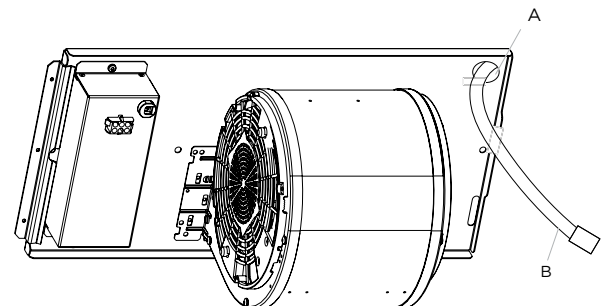
A. Wiring connection

- 3 Slide the left mounting plate flange under the motor mounting bracket.



A. Motor mounting bracket
 B. Mounting plate left flange

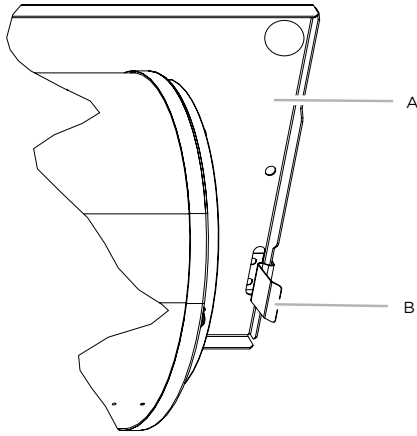
- 4 Run the power supply wires and connector from the range hood through the hole in the right end of the motor mounting plate.



A. Motor mounting plate hole
 B. Power supply wires and connector

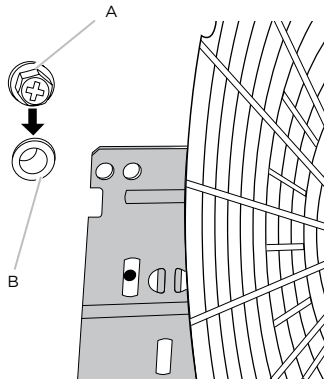
- 5 Push the right end of the motor mounting plate up and snap it into the spring tab.

NOTE: The spring tab should be outside the slot in the mounting plate.



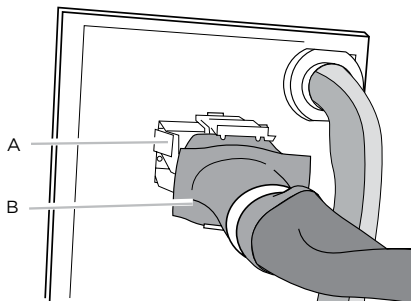
A. Motor mounting plate
B. Spring clip

- 6 Align mounting holes and install 6 x 16 mm screws and 6.4 mm lock washers



A. Screw with lock washer
B. Mounting hole

- 7 Attach power supply connector from the range hood to the connector on the blower motor assembly wiring box.



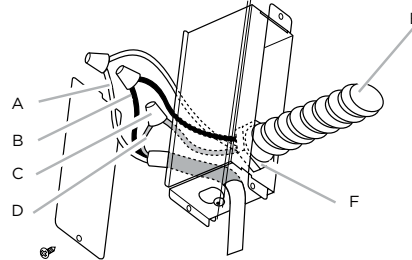
A. 4- 4x8 mm mounting screws
B. Security screws

Electrical connection

⚠WARNING

ELECTRICAL SHOCK HAZARD. DISCONNECT POWER BEFORE SERVICING. REPLACE ALL PARTS AND PANELS BEFORE OPERATING. FAILURE TO DO SO CAN RESULT IN DEATH OR ELECTRICAL SHOCK.

- Remove the knockout and the Junction box cover and install the conduit connector (cULus listed) in junction box.



A. White wires
B. Black wires
C. UL listed wire connector
D. Green (or bare) and yellow-green ground wire
E. Home power supply cable
F. UL listed or CSA approved 1/2" strain relief

- Run 3 wires; black, white and green, according to the National Electrical Code and local codes and ordinances, in 1/2" conduit from service panel to junction box.

⚠WARNING

ELECTRICALLY GROUND BLOWER. CONNECT GROUND WIRE TO GREEN AND YELLOW GROUND WIRE IN TERMINAL BOX. FAILURE TO DO SO CAN RESULT IN DEATH OR ELECTRICAL SHOCK.

- Connect black wire from service panel to black or red in junction box, white to white and green to green-yellow.
- Close and secure junction box cover.

Complete installation

Replace filters and check operation of the hood.

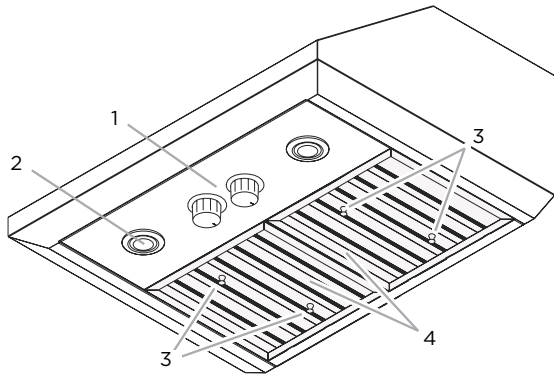
If range hood does not operate:

- Check that the circuit breaker is not tripped or the house fuse blown.
- Disconnect power supply. Check that wiring is correct.

To get the most efficient use from your new range hood, read the "Maintenance" section.

Keep your Installation Instructions and Use and Care Guide close to range hood for easy reference.

Description of the hood



- 1. Blower and light controls
- 2. LED lamps
- 3. Grease filter handle controls
- 4. Grease filter

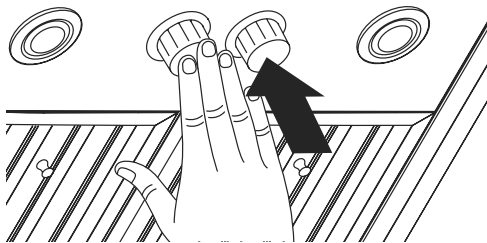
Control

The range hood is designed to remove smoke, cooking vapors and odors from the cooktop area. For best results, start the hood before cooking and allow it to operate several minutes after the cooking is complete to clear all smoke and odors from the kitchen.

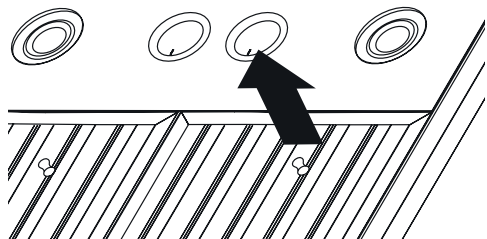
The hood controls are located on the center side of the hood.

Recessing Knobs

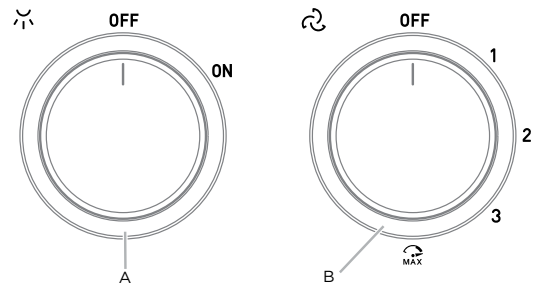
- You can hide control knobs by depressing them until flush with the hood body.



- Pressing the knobs again will lower the knobs, and enable the user to operate the lights and blower.



Controls



- A. Lamps knob
- B. Blower knob

Operating the lamps

1. Turn the light switch to the "ON" position to turn the range hood lights On.
2. Turn the light switch to the "OFF" position to turn the range hood lights Off.

Operating the blower

1. Turn the blower switch at "1" to turn the range hood on.
2. Turn the blower switch to the desired speed position.
3. Turn the blower switch to the "MAX" position to turn the range hood on High.
4. Turn the blower switch to the "OFF" position to turn the range hood blower Off.

Auto On blower

The range hood is equipped with a sensor to automatically turn on the blower when excessive heat is detected in the control area. When the blower switch is in the "Off" position, this sensor will turn the blower to high speed when necessary. When the heat decreases, the blower will turn off. When the blower switch is in the On position, the heat sensor is not active and the range hood functions normally.

Maintenance

Cleaning

Exterior surfaces:

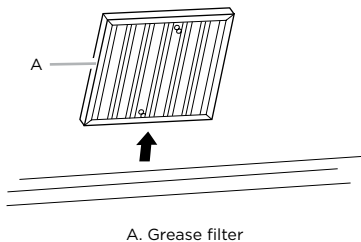
To avoid damage to the exterior surface, do not use steel wool or soap-filled scouring pads. Do not use chlorine base cleaners. Rub in direction of the grain line to avoid scratching the surface.

Always wipe dry to avoid water marks.

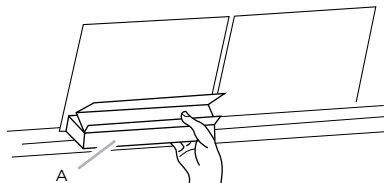
- Stainless Steel Cleaner and Polish.
- Mild liquid detergent and water.
- Wipe with damp soft cloth or nonabrasive sponge, then rinse with clean water and wipe dry.

Metal filters and drip trays:

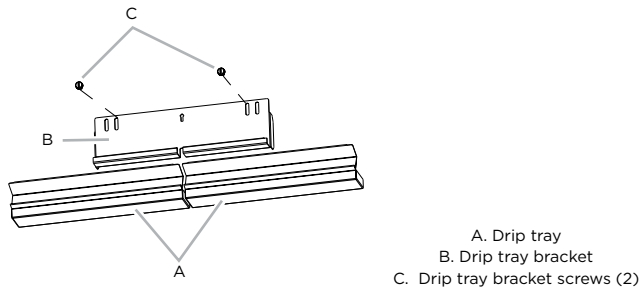
1. Use 2 hands to remove filters.
2. Grasp filter handles, pull toward the front of range hood and pull down on the rear handle to remove. Repeat for each filter.



3. Remove grease drip tray.

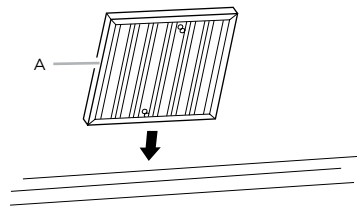


4. Place the drip tray bracket using the screws included.



5. Wash metal filters and grease trays as needed in dishwasher or hot detergent solution to clean.
6. Replace grease drip tray.
7. Reinstall filters, grasp filter handles and place front edge of filter into the hood.

8. Push up on the back handle and set rear of filter into the drip tray to secure. Repeat for each filter.



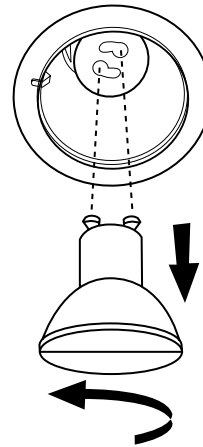
Replacing a LED Lamp

Turn off the range hood and allow the LED lamp to cool.

To avoid damage or decreasing the life of the new lamp, do not touch lamp with bare fingers. Replace lamp, using tissue or wearing cotton gloves to handle lamp.

If new lamps do not operate, make sure the lamps are inserted correctly before calling service.

1. Disconnect power.
2. Push up on the lens and turn it counterclockwise.
3. Remove the lamp and replace it with a 120-volt, 7.5 W watt maximum halogen lamp with a GU10 base. Turn it clockwise to lock it into place.
4. Repeat steps 2-3 for the other lamps if needed.
5. Reconnect power.



ELICA North America

TWO-YEAR LIMITED WARRANTY

TO OBTAIN SERVICE UNDER WARRANTY

Owner must present proof of original purchase date. Please keep a copy of your dated proof of purchase (sales slip) in order to obtain service under warranty.

PARTS AND SERVICE WARRANTY

For the period of two (2) years from the date of the original purchase, Elica will provide free of charge, non consumable parts or components that failed due to manufacturing defects. During these two (2) years limited warranty, Elica will also provide free of charge, all labor and in-home service to replace any defective parts.

WHAT IS NOT COVERED

- Damage or failure to the product caused by accident or act of God, such as, flood, fire or earthquake.
- Damage or failure caused by modification of the product or use of non-genuine parts.
- Damage or failure to the product caused during delivery, handling or installation.
- Damage or failure to the product caused by operator abuse.
- Damage or failure to the product caused by dwelling fuse replacement or resetting of circuit breakers.
- Damage or failure caused by use of product in a commercial application.
- Service trips to dwelling to provide use or installation guidance.
- Light bulbs, metal or carbon filters and any other consumable part.
- Normal wear of finish.
- Wear to finish due to operator abuse, improper maintenance, use of corrosive or abrasive cleaning products/pads and oven cleaner products.

WHO IS COVERED

This warranty is extended to the original purchaser for products purchased for ordinary residential use in North America (Including the United States, Guam, Puerto Rico, US Virgin Islands & Canada).

This warranty is non-transferable and applies only to the original purchaser and does not extend to subsequent owners of the product. This warranty is made expressly in lieu of all other warranties, expressed or implied, including, but not limited to any implied warranty of merchantability or fitness for a particular purpose and all other obligations on the part of Elica North America, provided, however, that if the disclaimer of implied warranties is ineffective under applicable law, the duration of any implied warranty arising by operation of law shall be limited to two (2) years from the date of original purchase at retail or such longer period as may be required by applicable law.

This warranty does not cover any special, incidental and/or consequential damages, nor loss of profits, suffered by the original purchaser, its customers and/or the users of the Products.

WHO TO CONTACT

To obtain service under warranty or for any service related question:

- Elica North America Service, call at 1 888 732 8018
- For Eastern Canada, call AGI Services at 1 888 651 2534 Ask for the service department
- elica@servicepower.com