

Installation

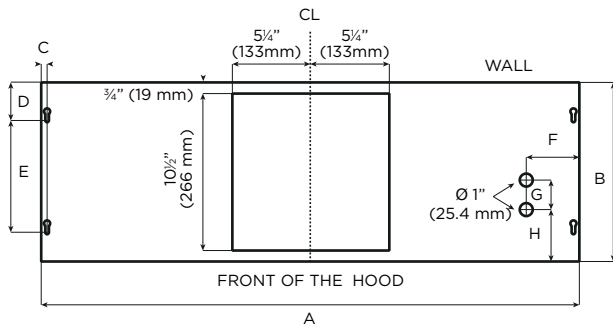
- It is recommended that the vent system be installed before hood is installed.
- If you are installing the optional backsplash with shelves for heat lamps, follow the instructions included with that product.
- If possible, disconnect and move freestanding or slide-in range from cabinet opening to provide easier access to rear wall.
- Before making cutouts, make sure there is proper clearance within the ceiling or wall for exhaust vent.
- Check that all installation parts have been removed from the shipping carton.

- Disconnect power.
- Determine which venting method to use: roof or wall exhaust.
NOTE: This hood is factory set to vent through the top air exit. If you decide to use the rear vent exit, you have to remove the rear vent cover and relocate it to the top vent exit.
- Select a flat surface for assembling the range hood. Place covering over that surface.

Veting Methods

Outside Top exhaust

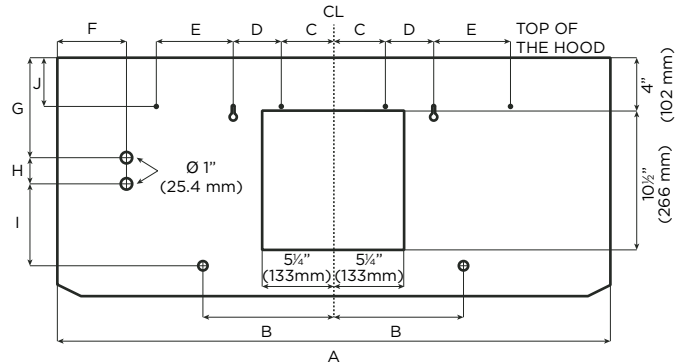
Vertical duct $\varnothing 10''$ (25.4 cm)
Use the diagram or the hood as a template and mark the locations on the cabinet's bottom or roof for ductwork, electrical wiring and keyhole screw slots.



	ECL630S3	ECL136S3	ECL142S3	ECL148S3
A	30" (760 mm)	36" (912 mm)	42" (1066 mm)	48" (1217 mm)
B	12" (305 mm)			
C	1" (25.4 mm)			
D	2 3/8" (65 mm)			
E	7 1/2" (190 mm)			
F	3 3/8" (90 mm)	5 5/8" (150 mm)		6 3/8" (164 mm)
G	2" (50 mm)			
H	3 1/2" (89 mm)			

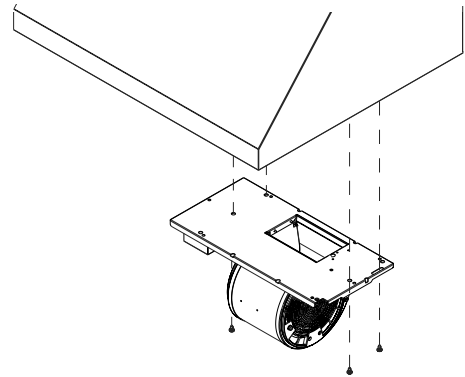
Outside rear exhaust

Horizontal duct $\varnothing 10''$ (25.4 cm)
Use the diagram or the hood as a template and mark the locations on the wall for ductwork, electrical wiring and keyhole screw slots.



	ECL630S3	ECL136S3	ECL142S3	ECL148S3
A	30" (760 mm)	36" (912 mm)	42" (1066 mm)	48" (1217 mm)
B	9 7/8" (250 mm)			
C	4" (100 mm)			
D	7 9/16" (192.6 mm)			
E	3 7/8" (87 mm)	5" (127 mm)	5 1/2" (147 mm)	6 3/8" (167 mm)
F	2 5/8" (75 mm)		5 3/8" (135 mm)	5 7/8" (149 mm)
G	7 1/2" (192 mm)			
H	2" (50 mm)			
I	6 3/8" (157 mm)			
J	3 3/8" (94 mm)			

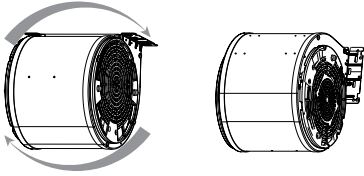
- Remove the grease filters.
- Remove the blower mounting screws. Put the screws in a safe place in order to use them again.



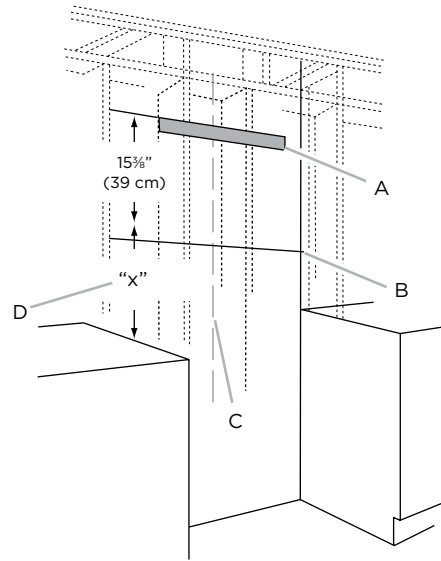
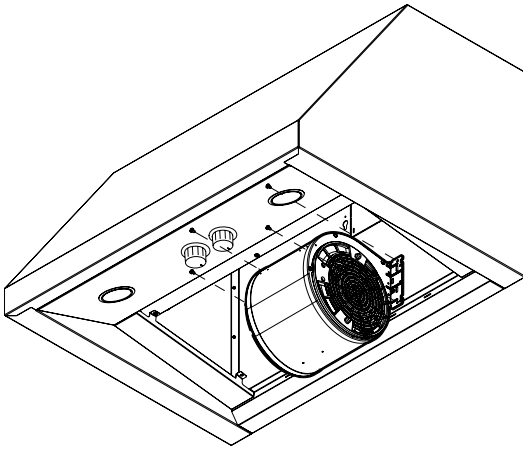
- Set free the two blower springs from the top of the range hood housing.



- 4 Flip the blower base to the rear face of the range hood.



- 5 Insert the two blower springs to the top of the range hood housing. Secure it with the four mounting screws previously released.



A. Wood support
B. Bottom of range hood
C. Centerline
D. Dimension "X" = range hood mounting height

NOTE: The screws provided for mounting this range hood must be fastened into solid wood; do not fasten into sheetrock only.

Complete Preparation

- 1 Determine and make all necessary cuts in the wall or roof for the vent system. Install the vent system before installing the range hood. See the "Venting Methods" section.
- 2 Determine the location where the power supply cable will be run through the wall.
- 3 Drill a 1 $\frac{1}{4}$ " (3.2 cm) hole at this location.
- 4 Pull enough power supply cable through the wall to allow for easy connection to the terminal box.
- 5 Remove terminal box cover and set aside.
- 6 Remove knockout from the back of the range hood and install a UL listed or CSA approved $\frac{1}{2}$ " (1.3 cm) strain relief.
- 7 Place the range hood near its mounting position and run the power supply cable through the strain relief into terminal box (enough to make connection).
- 8 Tighten the strain relief screws.

Mounting the Hood

The range hood attaches to the wall by the 2 mounting screws in the wood support mounted to the wall.

- 1 Using 2 or more people, hang the range hood on the wall by placing the slotted holes in the range hood back over the 2 screws mounted to the wood support mounted to the wall.

NOTE: If your installation uses the optional duct cover, the vent system needs to be connected to the range hood and the duct cover mounted to the top of the range hood before tightening the mounting screws.

Wall Installation

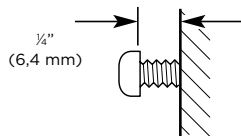
⚠ WARNING

USE TWO OR MORE PEOPLE TO MOVE AND INSTALL RANGE HOOD. FAILURE TO DO SO CAN RESULT IN BACK OR OTHER INJURY.

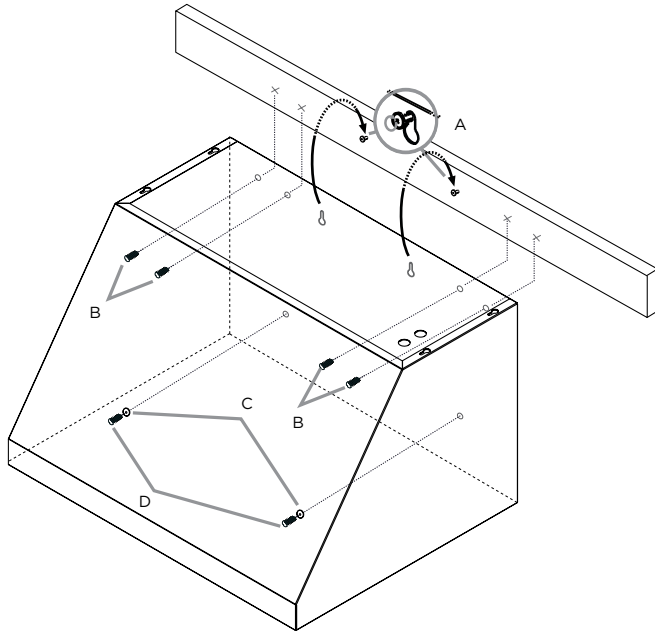
IMPORTANT: Framing must be capable of supporting up to 150 lbs.

The hood is attached to the wall with the wood support that is attached to the back of the hood.

- Determine and mark the centerline on the wall where the canopy hood will be installed.
- Select a mounting height "X".
For gas cooktop & range installations: Mount the hood so the bottom is at least 30" (76.2 cm) above the cooking surface.
For electric/induction cooktop & range installations: Mount the hood so the bottom is at least 24" (61 cm) above the cooking surface.
- Mark a horizontal reference line on the wall.
- Remove the wood support from the back of the range hood by loosening the 2 screws from the inside. Locate and level the top of the wood support 15 $\frac{3}{8}$ " (39.1 cm) above the marked horizontal line and centered on the vertical centerline. Using 2 of the 4 of the 6 x 80 mm screws, install wood support so that it is screwed into at least 2 vertical studs.
- Leave a $\frac{1}{4}$ " (6.4 mm) gap between the wall and the back of the screw head to slide range hood into place $\frac{1}{4}$ " (6.4 mm).



- 2 Push the range hood up into the narrow slots, align the bottom of the hood to the horizontal line, level the hood, and tighten the 2 mounting screws.
- 3 Mark 2 lower mounting hole center point locations. Drill $\frac{1}{8}$ " (0.32 cm) pilot holes if the holes are located into wood. If holes are not located into wood, drill two $\frac{3}{8}$ " (0.95 cm) pilot holes and insert 10 x 50 mm wall anchors. Install 2 - 6 x 80 mm screws with D5.3 x 20 mm washers into the lower mounting anchors and tighten.

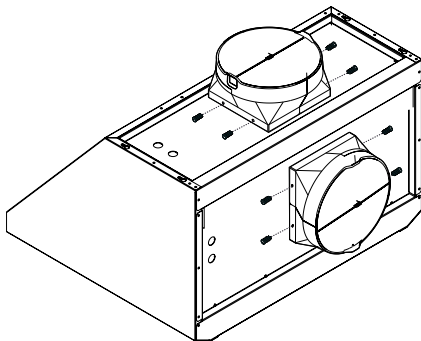


A. Mounting screws
 B. 4 screws - 4.2 x 19 mm
 C. 2 D5.3 x 20 mm washers
 D. 2 screws - 6 x 80 mm

- 4 Install 4 - 4.2 x 19 mm screws through the back of the hood into the wood support and tighten.
- 5 Connect vent system to hood. Seal all joints with clamps.

Install Transition

- Install the 10" (25.4 cm) square x 10" (25.4 cm) round vent transition with damper to top or rear side of the range hood (depending on your installation), using 4 - 3.5 x 9.5 mm screws.

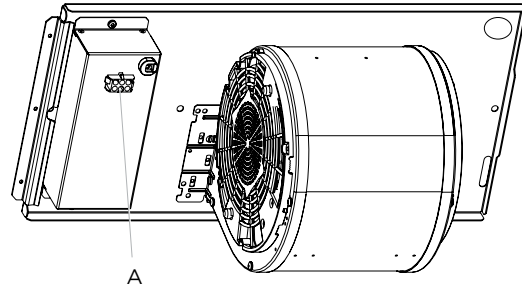


NOTE: The exhaust adaptor/damper can be installed up to 1 inch on either side of the hood center to accommodate off-center ductwork. In extreme off-center installations, one end of the duct connector may need to be trimmed to clear the electrical cable clamp.

Install Range Hood Internal Blower Motor

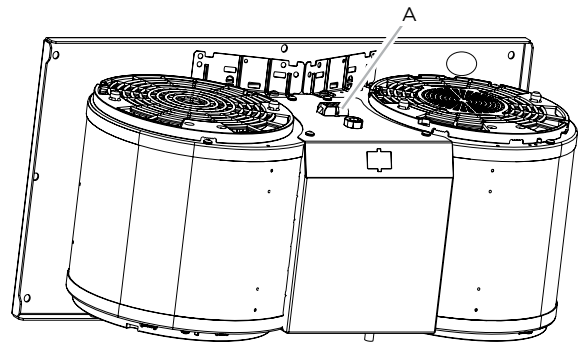
- 1 Remove grease filters from range hood. See the "Maintenance" section in the Use and Care Guide.
- 2 Install the range hood blower motor assembly inside the range hood canopy with the wiring connection to the left for the single motor system and to the front or top for the dual motor system.

Single blower motor assembly



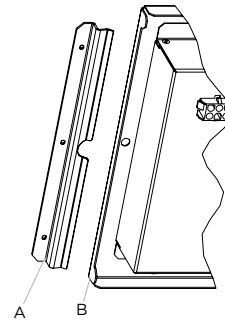
A. Wiring connection

Dual blower motor assembly



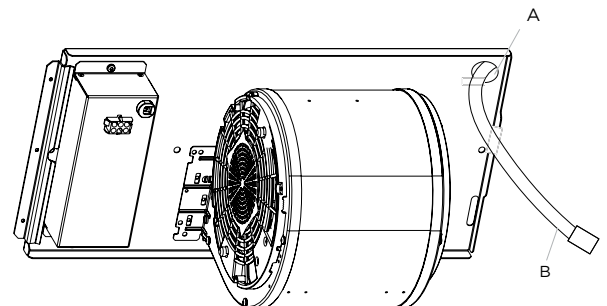
A. Wiring connection

- 3 Slide the left mounting plate flange under the motor mounting bracket.



A. Motor mounting bracket
 B. Mounting plate left flange

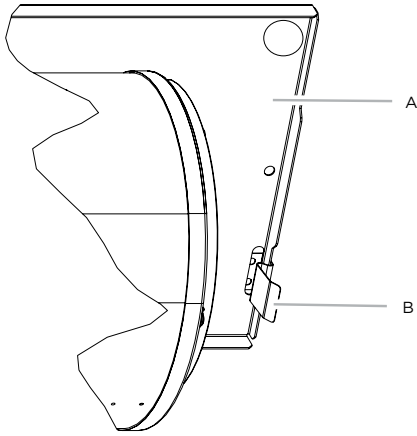
- 4 Run the power supply wires and connector from the range hood through the hole in the right end of the motor mounting plate.



A. Motor mounting plate hole
 B. Power supply wires and connector

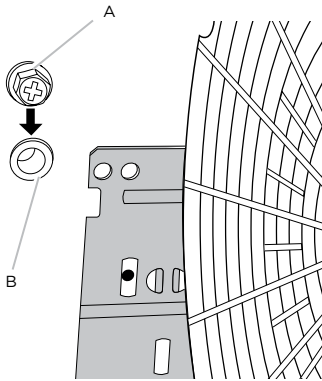
- 5 Push the right end of the motor mounting plate up and snap it into the spring tab.

NOTE: The spring tab should be outside the slot in the mounting plate.



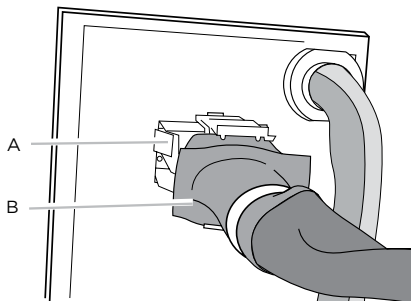
A. Motor mounting plate
B. Spring clip

- 6 Align mounting holes and install 6 x 16 mm screws and 6.4 mm lock washers



A. Screw with lock washer
B. Mounting hole

- 7 Attach power supply connector from the range hood to the connector on the blower motor assembly wiring box.



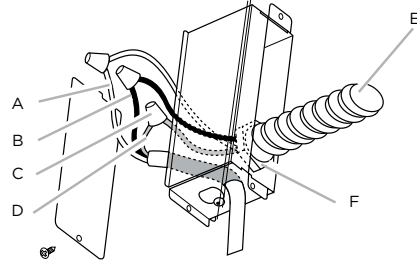
A. 4- 4x8 mm mounting screws
B. Security screws

Electrical connection

⚠WARNING

ELECTRICAL SHOCK HAZARD. DISCONNECT POWER BEFORE SERVICING. REPLACE ALL PARTS AND PANELS BEFORE OPERATING. FAILURE TO DO SO CAN RESULT IN DEATH OR ELECTRICAL SHOCK.

- Remove the knockout and the Junction box cover and install the conduit connector (cULus listed) in junction box.



A. White wires
B. Black wires
C. UL listed wire connector
D. Green (or bare) and yellow-green ground wire
E. Home power supply cable
F. UL listed or CSA approved 1/2" strain relief

- Run 3 wires; black, white and green, according to the National Electrical Code and local codes and ordinances, in 1/2" conduit from service panel to junction box.

⚠WARNING

ELECTRICALLY GROUND BLOWER. CONNECT GROUND WIRE TO GREEN AND YELLOW GROUND WIRE IN TERMINAL BOX. FAILURE TO DO SO CAN RESULT IN DEATH OR ELECTRICAL SHOCK.

- Connect black wire from service panel to black or red in junction box, white to white and green to green-yellow.
- Close and secure junction box cover.

Complete installation

Replace filters and check operation of the hood.

If range hood does not operate:

- Check that the circuit breaker is not tripped or the house fuse blown.
- Disconnect power supply. Check that wiring is correct.

To get the most efficient use from your new range hood, read the "Maintenance" section.

Keep your Installation Instructions and Use and Care Guide close to range hood for easy reference.