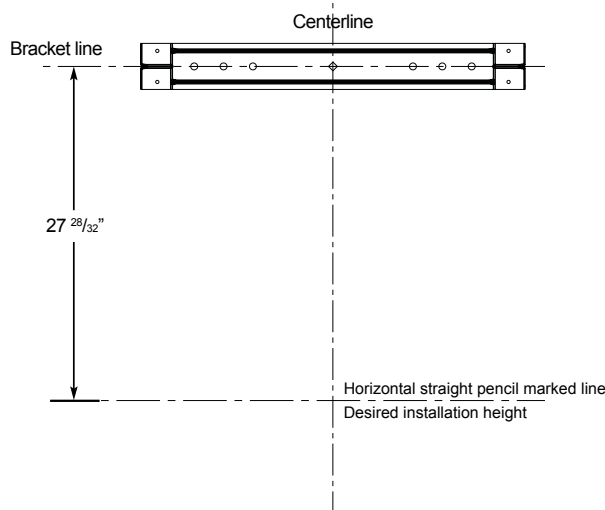


## Mounting the duct cover bracket

### Option A - Fixed height duct cover

- From the horizontal line traced in the previous section, trace a horizontal parallel line as shown below.
- Center the bracket in the top horizontal line and align it with the centerline, as described in the following drawing.



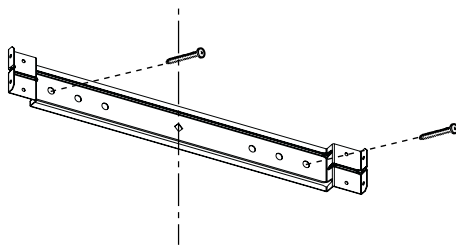
Mark screw holes locations in the wall.

**IMPORTANT.** Check to be sure that holes locations are leveled, and correctly centered by the vertical centerline. Drill 5/16" pilot holes in the marked locations.

Install wall fastener anchors.

Drive wood screws, by hand, into the fasteners to allow anchors to expand. Remove screws.

Secure the bracket to the wall with wood screws and/or fasteners.

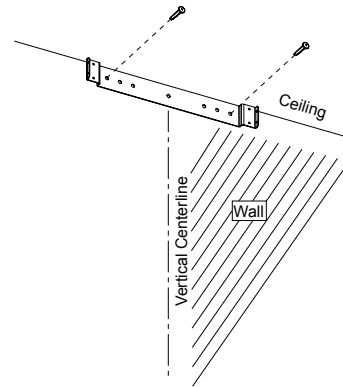


### Option B - Telescopic duct cover

The duct bracket should be installed against the back wall and flush with the ceiling. This bracket will hold the duct cover in place at the top (this is an extra accessory available not included with the hood).

#### Secure the bracket to the wall:

- Align the marked centerline on the bracket with the centerline on the wall.
- Mark 2 screw hole locations in the wall.
- Drill 5/16" pilot holes in the marked locations.
- Install wall fastener anchors.
- Drive wood screws, by hand, into the fastener to allow anchors to expand. Remove the screws.
- Secure the bracket to the wall with wood screws and/or fasteners.



### Ceiling ducting

If the duct will vent straight up to the ceiling:

- Use level to draw a line straight up, from the centerline on the template to the ceiling.
- Measure at least 4 - 12/16" from the back wall to the circle center of an 6-1/2" hole on the ceiling.

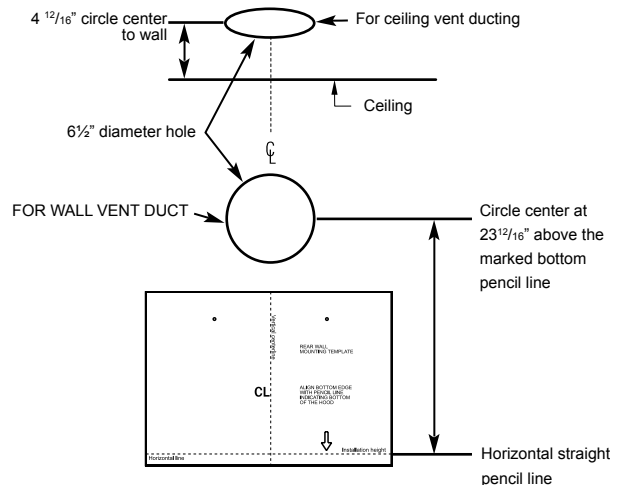
### Wall ducting

If ductwork will vent to rear:

- Use a level to draw a line straight up from the centerline on the template.
- Measure at least 23 - 12/16" (the measure might vary depending on the elbow used) above the pencil line that indicates the bottom installation height, to the circle center of an 6-1/2" diameter duct hole (Hole may be elongated for duct elbow).

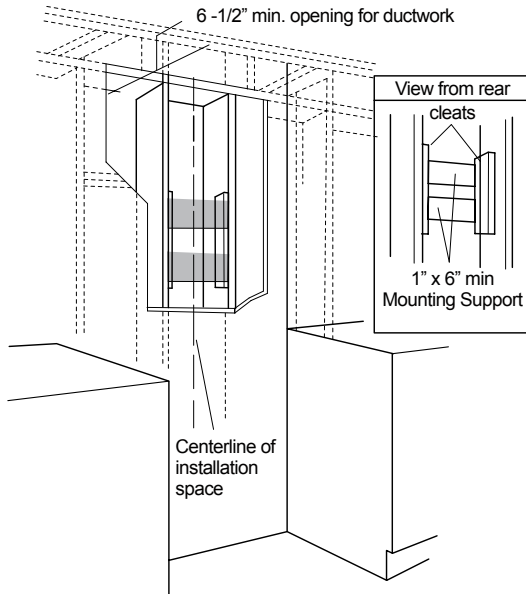
### House wiring location

- The junction box is located on the top left side of the hood.
- Wiring should enter the back wall at least 20" above the bottom of the installation height, and within 5-7/8" and 4-7/8" of the left side of the centerline.

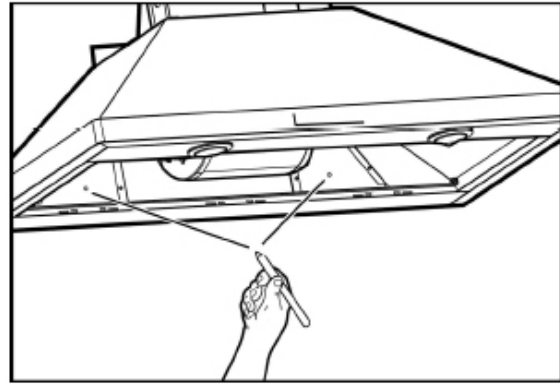


### Install framing for hood support

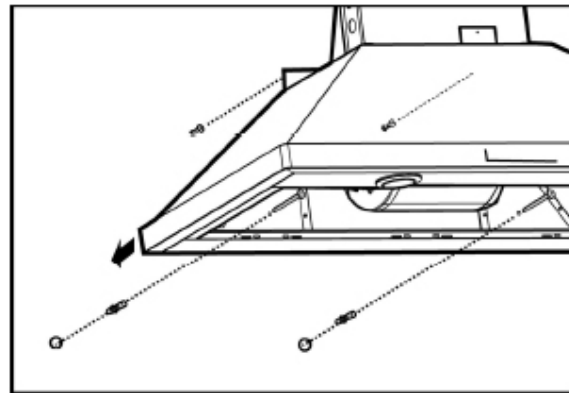
- If drywall is present, mark the screw hole locations. Remove the template.
  - Cut away enough drywall to expose 2 vertical studs at the holes location indicated by the template. Install two horizontal supports at least 4 X 2" between two wall studs at the bottom and upper mounting holes installation location.
  - The horizontal support must be flush with the room side of the studs.
  - Use cleats behind both sides of the support to secure to wall studs.
  - Reinstall drywall and refinish
- IMPORTANT-** Framing must be capable of supporting 100 lbs.



- Mark "lower" wood screw holes locations in the wall using a pencil.



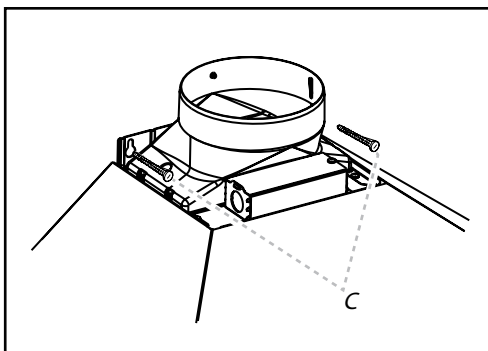
- Remove the hood.
- Drive "lower" wood screws, by hand. Remove screws.
- Mount the hood onto the "upper" screws.
- Drive and tighten the "upper" wood screws, by hand.
- Drive and tighten the "lower" wood screws, by hand.



### Mounting the hood

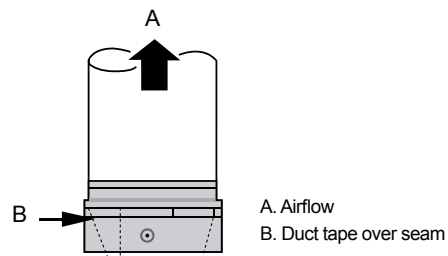
**WARNING:** 2 people are required to lift and position the hood onto the mounting screws.

- Place the template on the wall along the horizontal line, make sure the template is leveled and centered with the centerline.
- Mark "upper" screw holes locations in the wall.
- **IMPORTANT.** Check to be sure that hole locations are leveled and correctly centered by the vertical centerline.
- Drive "upper" wood screws by hand. Leave 1/4" of distance between the screw head and the wall.
- Remove the grease filter and mount the hood onto the "upper" screws.



### Connecting the ductwork

- Install ductwork, making connections in the direction of airflow as illustrated.
- Push duct over the exhaust outlet.
- Wrap all duct joints and the flange connections with duct tape for an airtight seal.
- Make the same connection in the wall or ceiling vent exit.



## Electrical connection

### WARNING

#### Electrical Shock Hazard

Warning: Turn off power circuit at the service panel before wiring this unit.

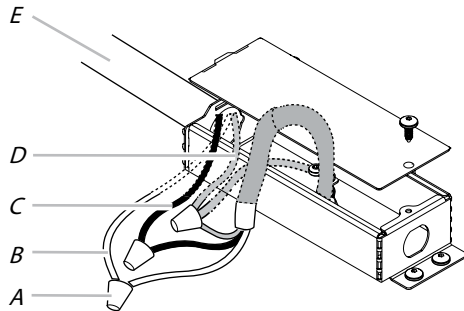
120 VAC, 15 or 20 Amp circuit required.

### ELECTRICAL GROUNDING INSTRUCTIONS

THIS APPLIANCE IS FITTED WITH AN ELECTRICAL JUNCTION BOX WITH 3 WIRES, ONE OF WHICH (GREEN/YELLOW) SERVES TO GROUND THE APPLIANCE. TO PROTECT YOU AGAINST ELECTRIC SHOCK, THE GREEN AND YELLOW WIRE MUST BE CONNECTED TO THE GROUNDING WIRE IN YOUR HOME ELECTRICAL SYSTEM, AND IT MUST UNDER NO CIRCUMSTANCES BE CUT OR REMOVED.

Failure to do so can result in death or electrical shock.

1. Disconnect power.
2. Remove terminal box cover.
3. Remove the knockout in the terminal box and install a UL listed or CSA approved ½" strain relief.
4. Run home power supply wiring through ½" strain relief into terminal box.



- A. UL listed wire connectors
- B. White wires
- C. Black wires
- D. Green (or bare) wire connected to yellow-green wires
- E. Home power supply

5. Use UL listed wire connectors and connect white wires (B) together.
6. Use UL listed wire connectors and connect black wires (C) together.

### Electrical Shock Hazard

#### Electrically ground blower.

Connect ground wire to green and yellow ground wire in terminal box.

Failure to do so can result in death or electrical shock.

7. Connect green (or bare) ground wire from home power supply to the 2 yellow-green ground wires (D) in terminal box using UL listed wire connectors.
8. Tighten strain relief screw.
9. Install terminal box cover.
10. Reconnect power.

### Mounting the duct cover

- Position the duct cover over the mounted hood.
- Slide the bottom of the duct into the glass area.
- Position the top of the duct over the duct mounting bracket. If a telescopic duct cover is used, grab the upper part of the telescopic duct cover, pull it and place it in the duct cover mounting bracket.
- Secure the top of the duct with 2 assembly screws provided.

