

# INSTALLATION

PLEASE READ ENTIRE INSTRUCTIONS BEFORE PROCEEDING

## Calculation before Installation

To calculate installation, please refer to TABLE 1 and TABLE 2. (All calculation in inches.)

### - FOR UNDER THE CABINET -

<p><b>TABLE 1</b></p> <p>A = Height of Floor to Ceiling          B = Height of Floor to Counter Top          (Standard: 36")  <b>C = Preferred Height of Counter Top to Hood Bottom (Minimum 26" to 30")</b>          D = Height of Hood          E = Height of the Cabinet</p>	<p>The diagram illustrates the under-cabinet installation. It shows a vertical cross-section of a kitchen cabinet and hood. Dimension A is the total height from the floor to the ceiling. Dimension B is the height from the floor to the counter top. Dimension C is the height from the counter top to the bottom of the hood. Dimension D is the height of the hood itself. Dimension E is the height of the cabinet above the hood.</p>
---	--

### - FOR WALL MOUNT (WITH OPTIONAL DUCT COVER) -

<p><b>TABLE 2</b></p> <p>A = Height of Floor to Ceiling          B = Height of Floor to Counter Top          (Standard: 36")  <b>C = Preferred Height of Counter Top to Hood Bottom (Minimum 26" to 30")</b>          D = Height of Hood          E = Height of Duct Cover [F – D]          F = Height of the Hood Installation          [A – (B+C)]</p>	<p>The diagram illustrates the wall mount installation with an optional duct cover. It shows a vertical cross-section of a kitchen counter and hood. Dimension A is the total height from the floor to the ceiling. Dimension B is the height from the floor to the counter top. Dimension C is the height from the counter top to the bottom of the hood. Dimension D is the height of the hood. Dimension E is the height of the duct cover above the hood. Dimension F is the total height from the counter top to the top of the duct cover.</p>
--	--

**⚠ SAFETY WARNING**

**HOOD MAY HAVE VERY SHARP EDGES; PLEASE WEAR PROTECTIVE GLOVES IF REMOVING ANY PARTS FOR INSTALLING, CLEANING OR SERVICING.**

**NOTE: BE CAREFUL WHEN USING ELECTRICAL SCREWDRIVER, DAMAGE TO THE HOOD MAY OCCUR.**

Installation Contents

UNDER THE CABINET WALL MOUNT	6 9
---------------------------------	--------

# UNDER CABINET INSTALLATION

## Preparation before Installation

NOTE: TO AVOID DAMAGE TO YOUR HOOD, PREVENT DEBRIS FROM ENTERING THE VENT OPENING.

- Decide the location of the venting pipe from the hood to the outside. Refer to Figure 1.
- A straight, short vent run will allow the hood to perform more efficiently.
- Try to avoid as many transitions, elbows, and long run as possible. This may reduce the performance of the hood.
- Temporarily wire the hood to test for proper operation before installing. If the hood does not operate, check the circuit breaker or house fuse. If the hood is still not working, disconnect power supply and check the continuity of all wire connections.
- Peel protective film off the hood (if any).
- Use duct tape to seal joints between pipe sections.
- For installing under the cabinet with recessed bottom, attach 4-inch wide wood filler strips (not included) on each side. ( Figure 2)
- Using reference on Page 16 to measure and create access opening for electrical wires and exhaust under the cabinet.

## Vent option installation

**CAUTION: USE HAND TOOLS ONLY. DO NOT OVER TIGHTEN SCREWS. IT MAY CAUSE DAMAGE TO THE HOOD.**

1. Choose the require vent option. Some installation screws are already pre-attached to hood.
2. For 6" Round vent installation only:
  - The 6" exhaust is already attached. (Figure 3)
  - Align and secure the 6" Round Plastic Collar {F} to two screws on hood.
3. For Top 3-1/4" x 10" vent installation only:
  - Remove attached 6" exhaust and discard. (Figure 3) Keep 13 screws to install 3-1/4" x 10" exhaust & vent cover.
  - Align and secure Top Vent Cover {E} and 3-1/4" x 10" Exhaust {D} using 14 screws (13 screws taken from 6" exhaust. (Figure 4)
4. For Rear 3-1/4" x 10" vent installation only:
  - Remove attached 6" exhaust and discard. (Figure 3) Keep 13 screws to install vent covers.
  - Remove duct knockout from back of the hood and discard. (Figure 5) Unscrew 3-1/4" x 10" Vent Cover from rear exhaust (located inside hood); keep screws to install 3-1/4" x 10" exhaust.

Figure 1

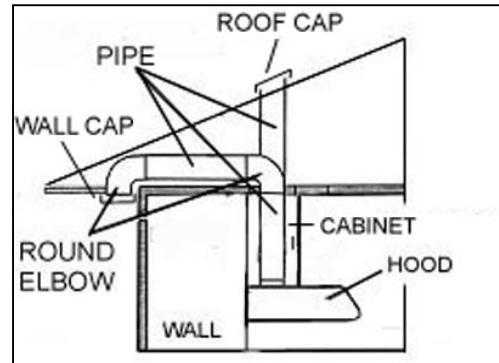


Figure 2

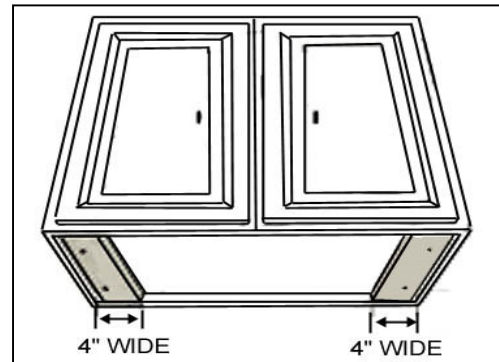


Figure 3

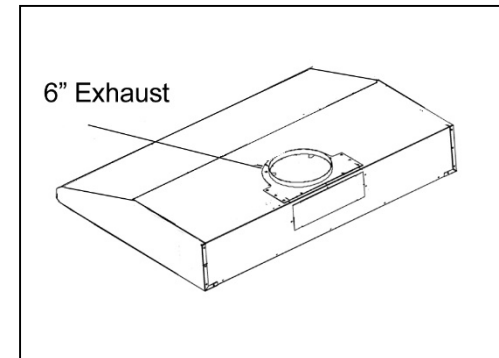
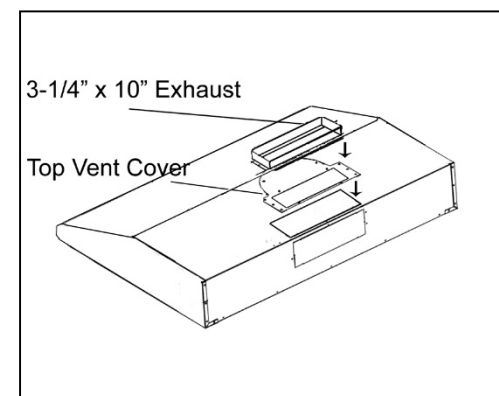


Figure 4



- Align and secure Top Vent Cover {E} and 3-1/4" x 10" Vent Cover (removed from rear exhaust) using 14 screws (13 screws taken from 6" exhaust. (Figure 5)
- Attach the 3-1/4" x 10" Exhaust {D} to rear exhaust (located inside hood) using 10 screws taken from rear vent cover. (Figure 6)

## Hood Installation

**⚠ CAUTION:** If moving the cooking range is necessary to install the hood, turn off the power in an electric range at the main electrical box. **SHUT OFF THE GAS BEFORE MOVING A GAS RANGE.** And use a protective covering to protect cooktop and/or countertop from damage.

5. Remove the baffle filters/stainless steel spacers if necessary; arrange the electrical wires to run through the 1" diameter hole on the top or the rear of the hood.
6. Using references on Table 1 and measurements on page 16, center the hood in place beneath the cabinet and flush with the front of the cabinet.
7. Draw electrical wires through cabinet access opening.
8. Use electrical drill to remove the knockout holes on top of the range hood.
9. Place screw (provided) into the exact center of each knockout hole. Make sure all screws are in place before tightening screws.

**⚠ CAUTION:** MAKE SURE THE HOOD IS SECURE BEFORE RELEASING.

## Wiring to Power Supply

**⚠ CAUTION:** If moving the cooking range is necessary to install the hood, turn off the power in an electric range at the main electrical box. **SHUT OFF THE GAS BEFORE MOVING A GAS RANGE.** RISK OF ELECTRICAL SHOCK.

**⚠ THIS RANGE HOOD MUST BE PROPERLY GROUNDED. MAKE SURE THIS IS DONE BY QUALIFIED ELECTRICIAN IN ACCORDANCE WITH ALL APPLICABLE NATIONAL AND LOCAL ELECTRICAL CODES. BEFORE CONNECTING WIRES, SWITCH POWER OFF AT SERVICE PANEL AND LOCK SERVICE PANEL TO PREVENT POWER FROM BEING SWITCHED ON ACCIDENTALLY.**

- If hood is operating normally, connect three wires (black, white and green) to house wires and cap with wire connectors.
- Store wires in the wiring box.

Figure 5

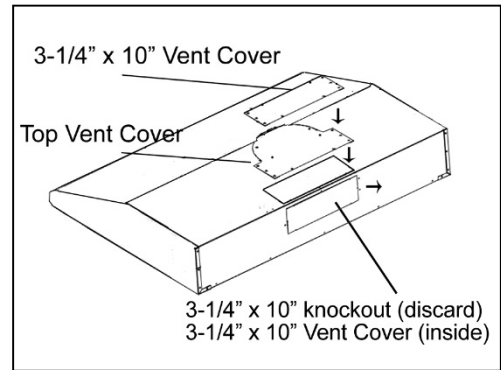
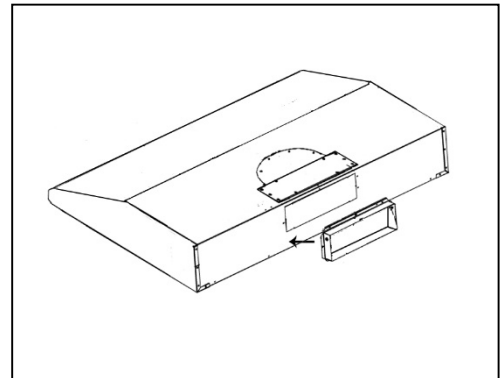


Figure 6



## Ductwork Installation

10. Use steel pipe to connect the exhaust on the hood to the ductwork. Use duct tape to make all joints secure and air tight.

## Install Accessories

11. Install the Oil Tunnel {G} into recess support near rear of hood. Refer to Figure 7.
12. Install Baffle Filters {H} and Stainless Steel Spacers {}. ① Angle baffle filter toward back of hood. ② Push the baffle filter up until almost level. ③ Slide forward into recess behind the front of hood. ④ Lower baffle filter. ⑤ Slide back until it fits into resting position. Refer to Figure 8.
13. For Stainless Steel Spacer, follow above steps.

## Final Installation

14. Turn power ON in control panel. Check all lights and fan operation.
15. Make sure to leave this manual for the homeowner.

Figure 7

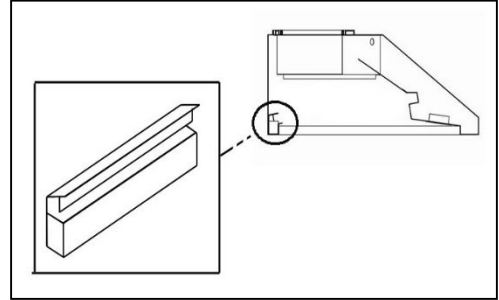
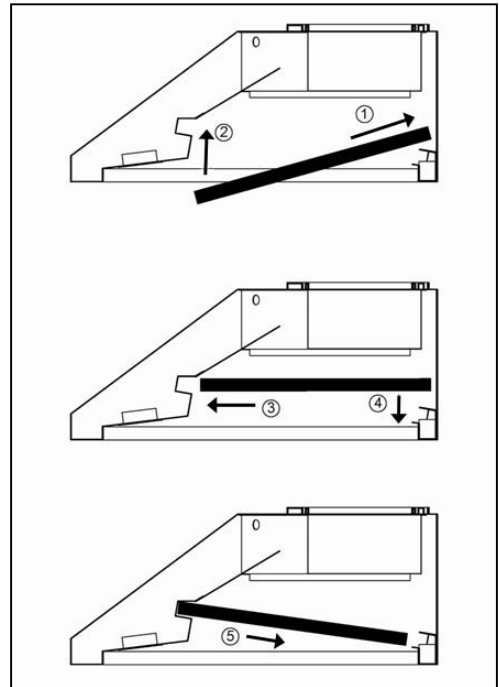


Figure 8



## WALL MOUNT INSTALLATION

\*\*\*This installation required to have Duct Cover Model No. CH1120DC-1.

### Preparation before Installation

NOTE: TO AVOID DAMAGE TO YOUR HOOD, PREVENT DEBRIS FROM ENTERING THE VENT OPENING.

- Decide the location of the venting pipe from the hood to the outside. Refer to Figure 9.
- A straight, short vent run will allow the hood to perform more efficiently.
- Try to avoid as many transitions, elbows, and long run as possible. This may reduce the performance of the hood.
- Temporarily wire the hood to test for proper operation before installing. If the hood does not operate, check the circuit breaker or house fuse. If the hood is still not working, disconnect power supply and check the continuity of all wire connections.
- Peel protective film off the hood (if any).
- Use duct tape to seal joints between pipe sections.
- If necessary, prepare back wall frame with cross framing lumber for secure installation. Using references on Table 2 and measurements on page 16-17, decide the level of the lumber. Refer to Figure 10.

### Vent option installation

**⚠ CAUTION: USE HAND TOOLS ONLY. DO NOT OVER TIGHTEN SCREWS. IT MAY CAUSE DAMAGE TO THE HOOD.**

1. Choose the require vent option. Some of installation screws are already pre-attached to hood. Refer to Figure 15. Please use Screws Package {M} with pre-attached screws for wall mount installation.
2. For 6" Round vent installation only:
  - The 6" exhaust is already attached. Refer to Figure 11. Align and secure the 6" Round Plastic Collar {F} to two screws on hood. Follow instructions in Step 5 to attach Hood Mounting Bracket {P} and two Duct Cover Support {O}. (Figure 15)
3. For Top 3-1/4" x 10" vent installation only:
  - Remove attached 6" exhaust and discard. (Figure 11) Keep 13 screws to install 3-14" x 10" exhaust & vent cover.
  - Align Top Vent Cover {E} and 3-1/4" x 10" Exhaust {D}. (Figure 12) Skip to Step 5 to attach Hood-Mounting Bracket {P} and two Duct Cover Support {O} using 14 screws (13 screws taken from 6" exhaust. (Figure 15)

Figure 9

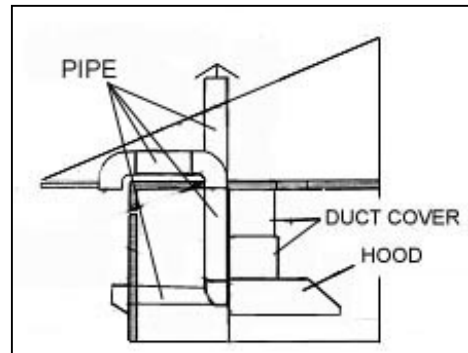


Figure 10

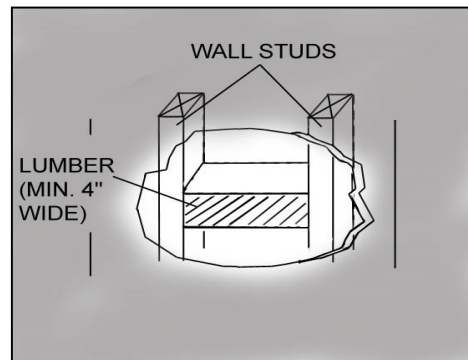


Figure 11

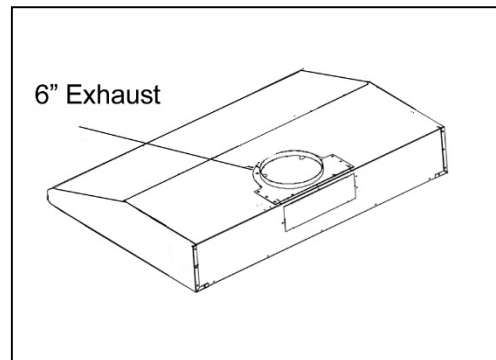
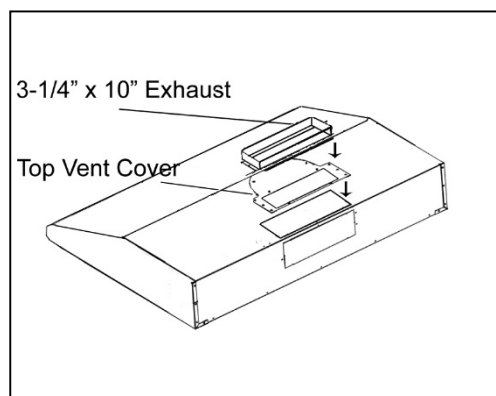


Figure 12



4. For Rear 3-1/4" x 10" vent installation only:
  - Remove attached 6" exhaust and discard. (Figure 11) Keep 13 screws to install vent covers.
  - Remove duct knockout from back of the hood and discard. (Figure 13) Unscrew 3-1/4" x 10" Vent Cover from rear exhaust (located inside hood); keep screws to install 3-1/4" x 10" Exhaust.
  - Align Top Vent Cover {E} and 3-1/4" x 10" Vent Cover (removed from rear exhaust) using 14 screws (13 screws taken from 6" exhaust). (Figure 13) Follow instructions in Step 5 to attach Hood-Mounting Bracket {P} and two Duct Cover Support {O} using 14 screws (13 screws taken from 6" exhaust). (Figure 15)
  - Attach the 3-1/4" x 10" Exhaust {D} to rear exhaust (located inside hood) using 10 screws taken from rear vent cover. (Figure 14)

**Hood Installation**

**⚠ CAUTION:** If moving the cooking range is necessary to install the hood, turn off the power in an electric range at the main electrical box. **SHUT OFF THE GAS BEFORE MOVING A GAS RANGE.** And use a protective covering to protect cooktop and/or countertop from damage.

5. Secure Hood-Mounting Bracket {P} and two Duct Cover Support {O} on top of the hood with eight pre-attached screws. Use four 3/16" x 3/8" screws {M} for Hood-Mounting Bracket {P}. (Figure 15)
6. Using references on Table 2 and measurements on page 16-17, mark the leveling point of the hood. Position mounting screws (provided) on the wall, leaving 1/8" away from the wall as shown in Figure 16.
7. Align Hood-Mounting Bracket {P} to the two screws on the wall and hook hood into place. Tighten screws to secure hood to the wall.

**⚠ CAUTION:** MAKE SURE HOOD IS SECURE BEFORE RELEASING

Figure 13

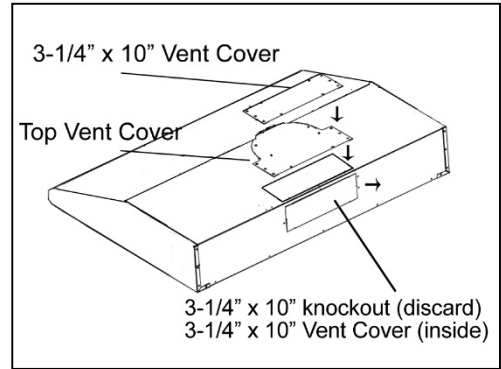


Figure 14

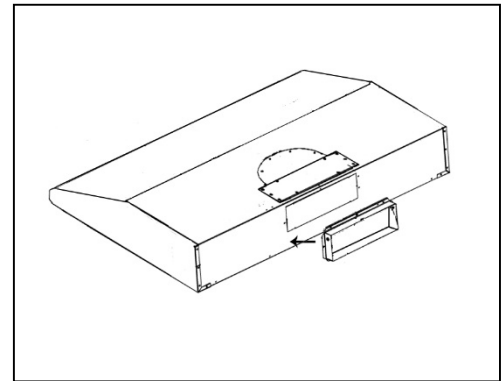


Figure 15

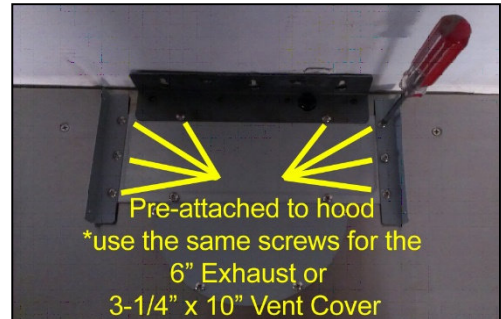
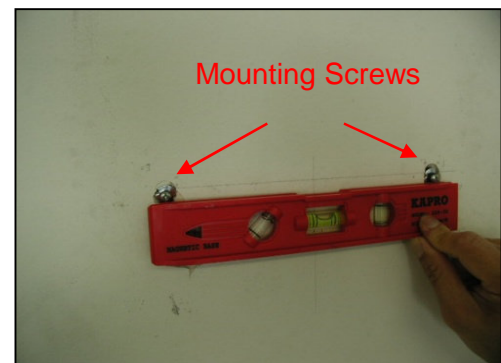


Figure 16



### Wiring to Power Supply

**⚠ CAUTION:** If moving the cooking range is necessary to install the hood, turn off the power in an electric range at the main electrical box. **SHUT OFF THE GAS BEFORE MOVING A GAS RANGE. RISK OF ELECTRICAL SHOCK.**

**⚠ THIS RANGE HOOD MUST BE PROPERLY GROUNDED. MAKE SURE THIS IS DONE BY QUALIFIED ELECTRICIAN IN ACCORDANCE WITH ALL APPLICABLE NATIONAL AND LOCAL ELECTRICAL CODES. BEFORE CONNECTING WIRES, SWITCH POWER OFF AT SERVICE PANEL AND LOCK SERVICE PANEL TO PREVENT POWER FROM BEING SWITCHED ON ACCIDENTALLY.**

8. If hood is operating normally, connect three wires (black, white and green) to house wires and cap with wire connectors.
9. Store wires in the wiring box.

### Ductwork Installation

10. Use steel pipe to connect the exhaust on the hood to the ductwork. Use duct tape to make all joints secure and air tight.

### Duct Cover Installation

11. Mark the position of the Duct Cover-Mounting Bracket {N}. Use reference **E** from Table 2 and measurements on page 16-17. Attach and secure Duct Cover-Mounting Bracket {N} with two screws (provided). Refer to Figure 17. NOTE: Inner duct cover will cover the Duct Cover-Mounting Bracket.
12. Position the entire duct cover up onto the hood.
13. Secure the inner duct cover with two (3/16" x 3/8") screws {M} to the Duct Cover-Mounting Bracket {N}. Shown in Figure 18.
14. Fasten outer duct cover to Duct Cover Support {O} with four (4 x 6 mm) screws {M}.

Figure 17



Figure 18





## Install Accessories

15. Install the Oil Tunnel {G} into recess support near rear of hood. Refer to Figure 19.
16. Install Baffle Filters {H} and Stainless Steel Spacers {I}.
  - ① Angle baffle filter toward back of hood.
  - ② Push the baffle filter up until almost level.
  - ③ Slide forward into recess behind the front of hood.
  - ④ Lower baffle filter.
  - ⑤ Slide back until it fits into resting position.Refer to Figure 20.
17. For Stainless Steel Spacer, follow above steps.

## Final Installation

18. Turn power ON in control panel. Check all lights and fan operation
19. Make sure to leave this manual for the homeowner.

Figure 19

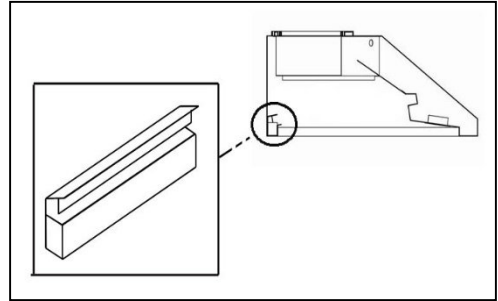


Figure 20

