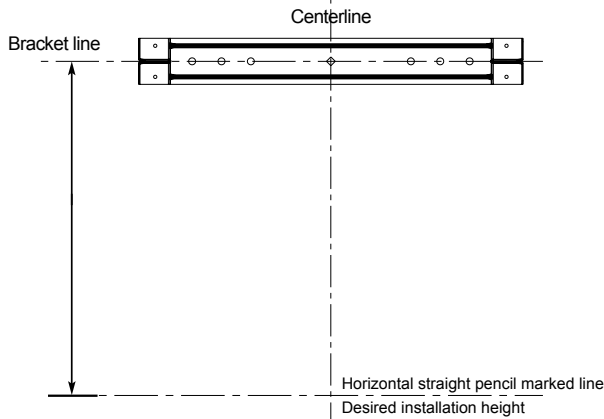


Installation

Mounting the duct cover bracket

Fixed height duct cover

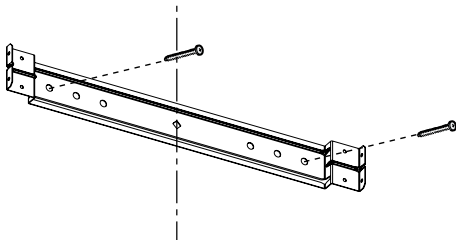
- From the horizontal line traced in the previous section, trace a horizontal parallel line as shown below.
- Center the bracket in the top horizontal line and align it with the centerline, as described in the following drawing.



Mark screw holes locations in the wall.

IMPORTANT. Check to be sure that holes locations are leveled, and correctly centered by the vertical centerline. Drill $\frac{5}{16}$ " pilot holes in the marked locations. Install wall fastener anchors.

Drive wood 2 - 5 x 45 mm screws, by hand, into the fasteners to allow anchors to expand. Remove screws.

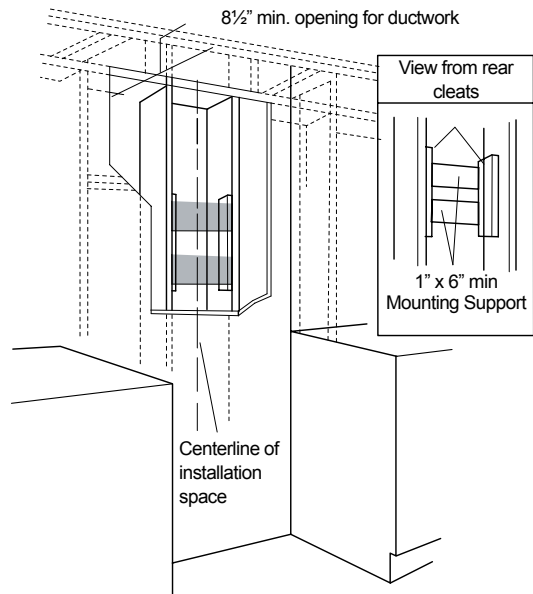


Secure the bracket to the wall with wood screws and/or fasteners.

Install framing for hood support

- If drywall is present, mark the screw hole locations.
- Cut away enough drywall to expose 2 vertical studs at the holes location indicated by the template. Install two horizontal supports at least 4 x 2" between two wall studs at the bottom and upper mounting holes installation location.
- The horizontal support must be flush with the room side of the studs.
- Use cleats behind both sides of the support to secure to wall studs.
- Reinstall drywall and refinish

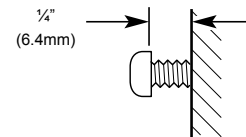
IMPORTANT- Framing must be capable of supporting 100 lbs.



Mounting the hood

WARNING: 2 people are required to lift and position the hood onto the mounting screws.

- Place the template on the wall along the horizontal line, make sure the template is leveled and centered with the centerline.
- Mark upper screw holes locations in the wall.
- **IMPORTANT.** Check to be sure that hole locations are leveled and correctly centered by the vertical centerline.
- Drive 2 - 5 x 45 mm upper wood screws by hand. Leave $\frac{1}{4}$ " of distance between the screw head and the wall.

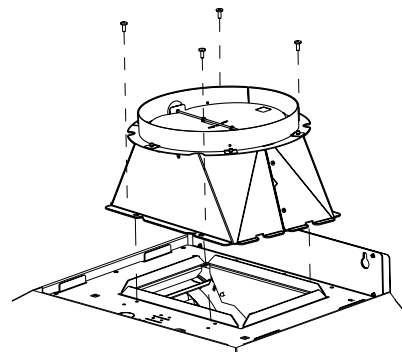


- Remove the grease filter and mount the hood onto the upper screws.

NOTE: The screws provided for mounting this hood must be fastened into solid wood, do not fasten into sheet rock only.

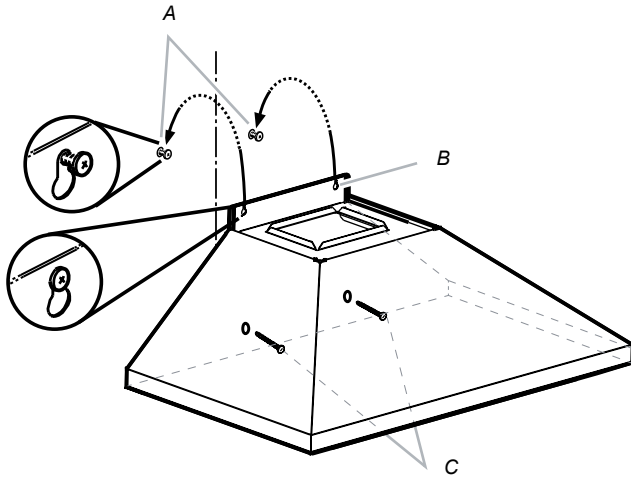
Complete preparation

1. Determine and make all necessary cuts in the wall for the vent system. Install the vent system before installing the range hood. See the "Venting Requirements" section.
2. Determine the location where the power supply cable will be run through the wall.
3. Drill a $1\frac{1}{4}$ " (3.2 cm) hole at this location.
4. Pull enough power supply cable through the wall to allow for easy connection to the terminal box.
5. Install the 8" (20.3 cm) round vent transition with damper to top of the range hood using 4 - 3.5 x 9.5 mm screws.



Install Range Hood

1. Using 2 or more people, hang the range hood on the wall by placing the slotted holes in the range hood back over the 2 screws mounted to the wood support mounted to the wall.

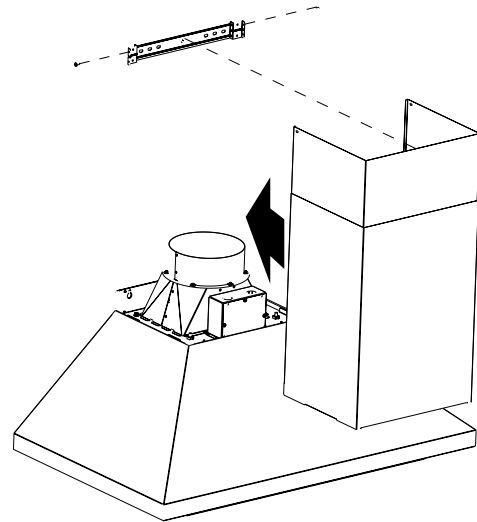


- A. Installation screws (2 - 5 x 45 mm)
B. Mounting holes
C. Lower installation screws (2 - 5 x 45 mm)

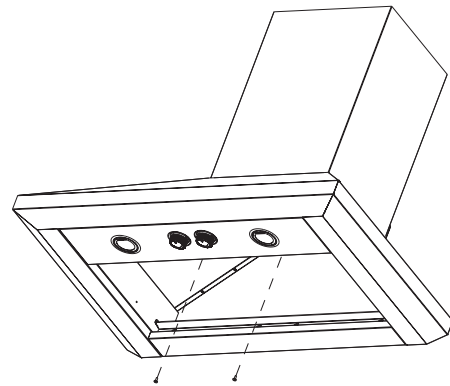
2. Push the range hood up into the narrow slots, align the bottom of the hood to the horizontal line, level the hood, and tighten the 2 mounting screws.
3. Mark 2 lower mounting hole locations. Drill $\frac{1}{8}$ " pilot holes if the holes are located into wood. If holes are not located into wood, remove the hood and drill two $\frac{3}{8}$ " pilot holes and insert 10 x 50 mm wall anchors. Remount the hood, level, and tighten the upper screws. Install 2 - 5 x 45 mm screws and tighten (C)..
4. Connect vent system to hood. Seal all joints with clamps.
5. If your installation uses the optional duct cover, mount it to the top of the range hood following the instructions supplied with the duct cover.

Mounting the duct cover

1. Position the duct cover over the mounted hood.
2. Position the top of the duct over the duct mounting bracket.
3. Secure the top of the duct with 2 - 4.2 x 8 mm assembly screws provided.



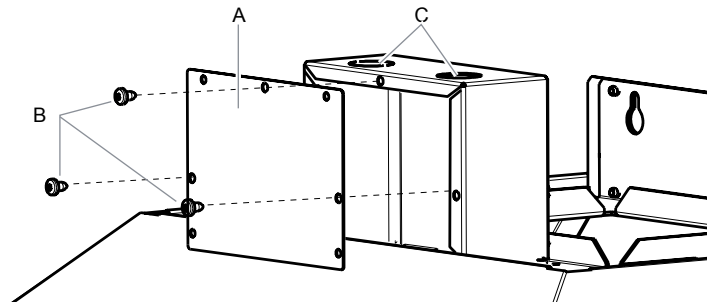
4. Secure the lower duct cover to the range hood canopy using 2 - 4.2 x 8 mm screws.



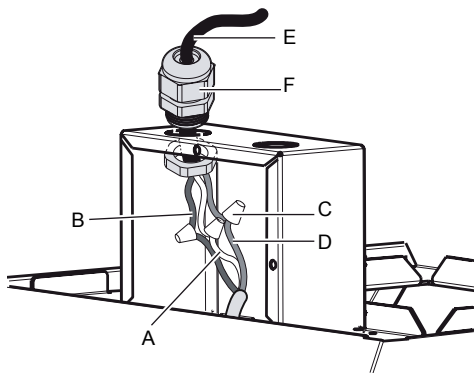
Make Electrical Connection

WARNING: Electrical Shock Hazard
Disconnect power before servicing.
Replace all parts and panels before operating.
Failure to do so can result in death or electrical shock.

1. Disconnect power.
2. Locate junction box of the range hood.
3. Remove terminal box cover and set aside.
4. Remove knockout from terminal box and install a UL listed or CSA approved ½" strain relief.
5. Place the range hood near its mounting position and run the power supply cable through the strain relief into terminal box (enough to make connection).
6. Tighten the strain relief screws.



A. Electric box cover
 B. Cover installation screws
 C. Knockout

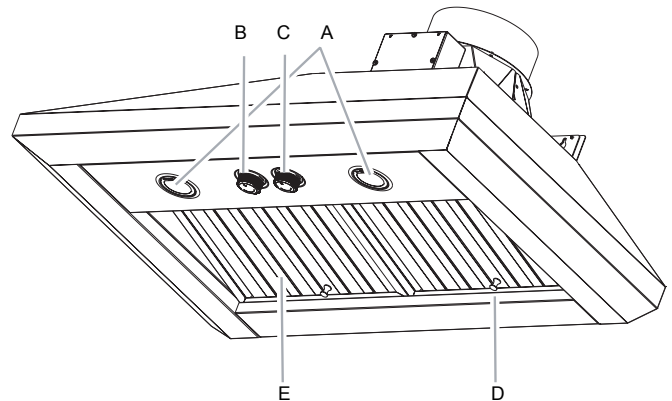


A. White wires
 B. Black wires
 C. UL listed wire connectors
 D. Green, Bare or Yellow/Green wires
 E. Home power supply
 F. UL listed or CSA approved ½" strain relief

7. Use UL listed wire connectors and connect black wires (B) together.
8. Use UL listed wire connectors and connect white wires (A) together.
9. Connect green (or bare) ground wire from home power supply to the green/yellow ground wire (D) in terminal box using UL listed wire connectors.
10. Install terminal box cover.
11. Check that all light bulbs are secure in their sockets.
12. Reconnect power.

Complete Installation and Check Operation

1. Install grease filters. See the "Range Hood Care" section.
2. Install heat lamps into heat lamp sockets.
3. Check operation of the range hood blower and lights. See the "Range Hood Use" section.



A. Halogen lamps
 B. Lamps knob
 C. Blower knob
 D. Filter handles
 E. Grease filter

4. If range hood does not operate, check to see whether a circuit breaker has tripped or a household fuse has blown.

Disconnect power supply and check that the wiring is correct.

NOTE: To get the most efficient use from your new range hood, read the "Range Hood Use" section.