

# Installation

## Installation - Ducting version

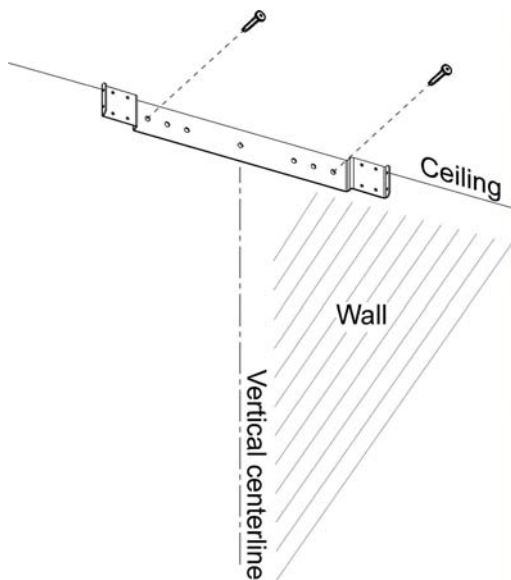
- If possible, disconnect and move freestanding or slide-in range from cabinet opening to provide easier access to rear wall. Otherwise put a thick, protective covering over countertop, cooktop or range to protect from damage and debris. Select a flat surface for assembling the unit. Cover that surface with a protective covering and place all canopy hood parts and hardware in it.
- Determine and mark the centerline on the wall where the canopy hood will be installed.
- Select a mounting height comfortable for the user and mark on wall.
- Tape template, matching center-line and hood bottom.

### Mounting the duct cover bracket

The duct bracket should be installed against the back wall and flush with the ceiling. This bracket will hold the telescopic duct cover in place at the top.

### Secure the bracket to the wall:

- Align the marked centerline on the bracket with the centerline on the wall.
- Mark 2 screw hole locations in the wall.
- Drill 5/16" pilot holes in the marked locations.
- Install wall fastener anchors.
- Drive wood screws, by hand, into the fastener to allow anchors to expand. Remove the screws.
- Secure the bracket to the wall with wood screws and/or fasteners.



### Ceiling ducting

If the duct will vent straight up to the ceiling:

- Use level to draw a line straight up, from the centerline on the template to the ceiling.
- Measure at least 4 - 3/4 " from the back wall to the circle center of an 8-1/2" hole on the ceiling.

### Wall ducting

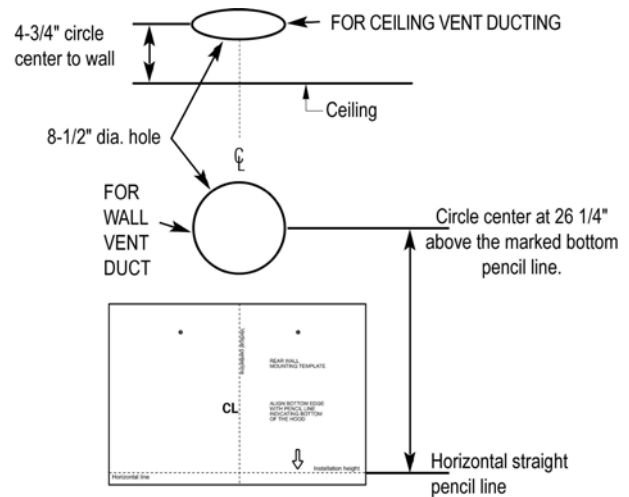
If ductwork will vent to rear:

**Note:** for minimum duct cover extension we suggest to use a round to rectangle duct adapter.

- Use a level to draw a line straight up from the centerline on the template.
- Measure at least 26 - 1/4" (the measure might vary dependig on the elbow used) above the pencil line that indicates the bottom installation height, to the circle center of an 8-1/2" diameter duct hole (Hole may be elongated for duct elbow).

### House wiring location

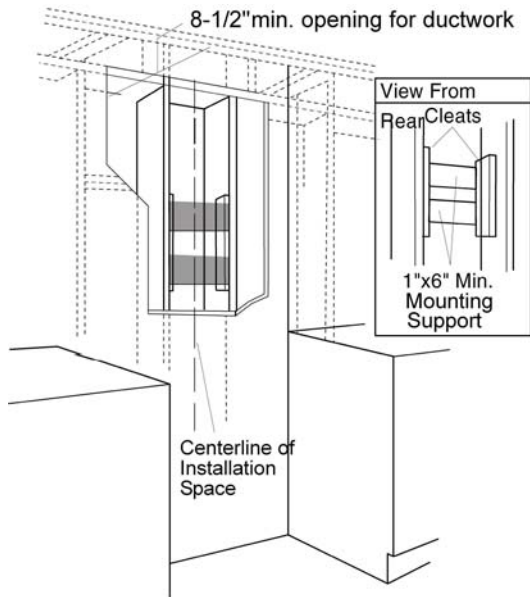
- The junction box is located on the top left side of the hood.
- Wiring should enter the back wall at least 20 - 1/4" above the bottom of the installation height, and within 7-5/8" and 4-7/8" of the left side of the centerline.



## Install framing for hood support

- If drywall is present, mark the screw hole locations. Remove the template.
- Cut away enough drywall to expose 2 vertical studs at the holes location indicated by the template. Install two horizontal supports at least 4" X 2" between two wall studs at the bottom and upper mounting holes installation location.
- The horizontal support must be flush with the room side of the studs. Use cleats behind both sides of the support to secure to wall studs.
- Reinstall drywall and refinish.

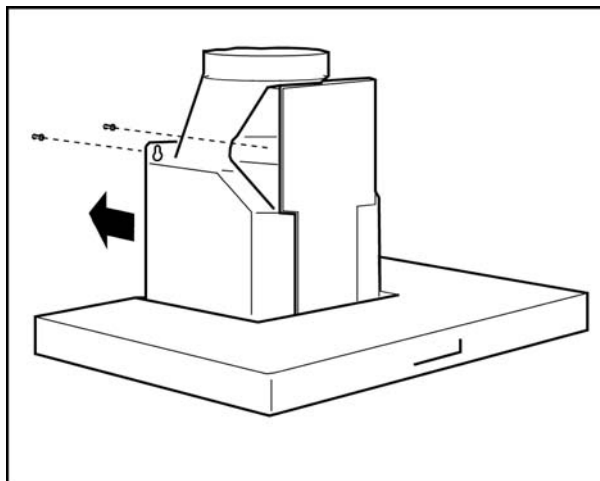
**IMPORTANT- Framing must be capable of supporting 100 lbs.**



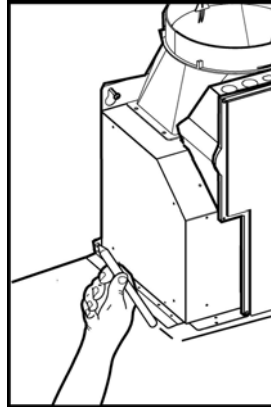
## Mounting the hood

**WARNING:** 2 people are required to lift and position the hood onto the mounting screws.

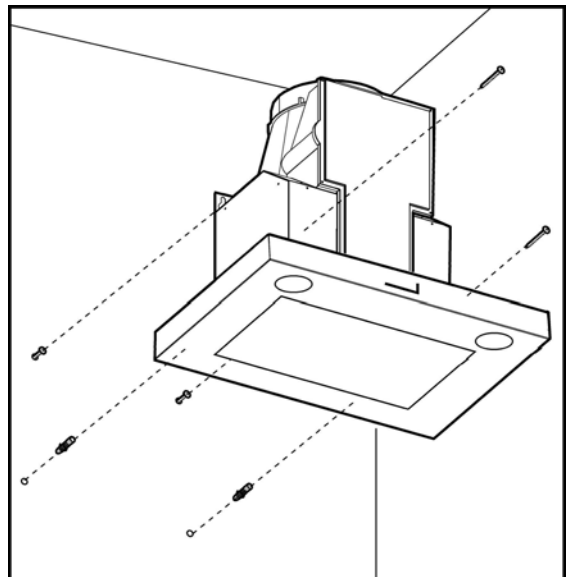
- Place the template on the wall along the horizontal line, make sure the template is leveled and centered with the centerline.
- Mark "upper" screw holes locations in the wall.
- **IMPORTANT.** Check to be sure that hole locations are leveled and correctly centered by the vertical centerline.
- Drive "upper" wood screws by hand. Leave ¼ " of distance between the screw head and the wall.
- Remove the grease filter and mount the hood onto the "upper" screws.



- Mark "lower" wood screw holes locations in the wall using a pencil.

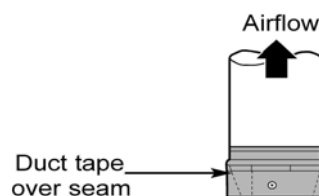


- Remove the hood.
- Drive "lower" wood screws, by hand. Remove screws.
- Mount the hood onto the "upper" screws.
- Drive and tighten the "upper" wood screws, by hand.
- Drive and tighten the "lower" wood screws, by hand.



## Connecting the ductwork

- Install ductwork, making connections in the direction of airflow as illustrated.
- Push duct over the exhaust outlet.
- Wrap all duct joints and the flange connections with duct tape for an airtight seal.
- Make the same connection in the wall or ceiling vent exit.



## Electrical connection

### **WARNING**

### **Electrical Shock Hazard**

**Warning: Turn off power circuit at the service panel before wiring this unit.**

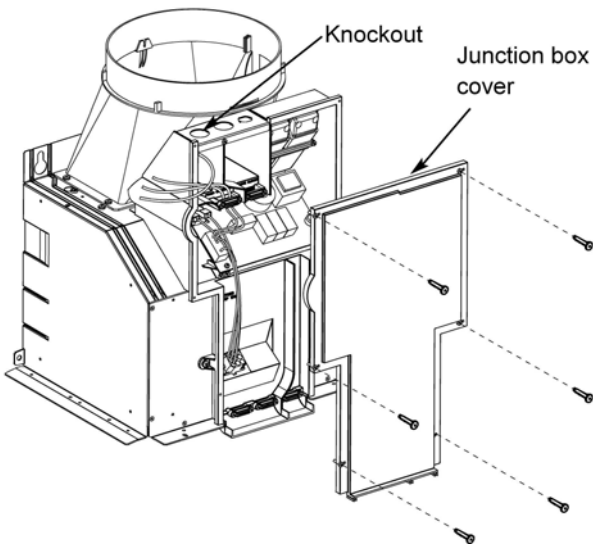
120 VAC, 15 or 20 Amp circuit required.

### ELECTRICAL GROUNDING INSTRUCTIONS

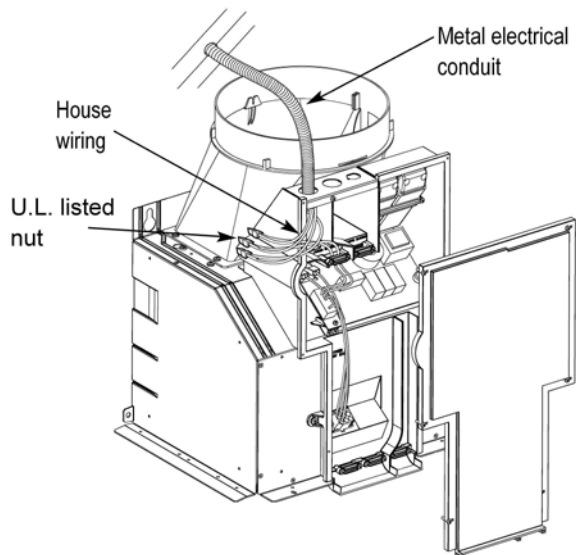
THIS APPLIANCE IS FITTED WITH AN ELECTRICAL JUNCTION BOX WITH 3 WIRES, ONE OF WHICH (GREEN/YELLOW) SERVES TO GROUND THE APPLIANCE. TO PROTECT YOU AGAINST ELECTRIC SHOCK, THE GREEN AND YELLOW WIRE MUST BE CONNECTED TO THE GROUNDING WIRE IN YOUR HOME ELECTRICAL SYSTEM, AND IT MUST UNDER NO CIRCUMSTANCES BE CUT OR REMOVED.

**Failure to do so can result in death or electrical shock.**

Facing the front of the range hood, remove the left knockout and the Junction box cover and install the conduit connector (cULus listed) in junction box.

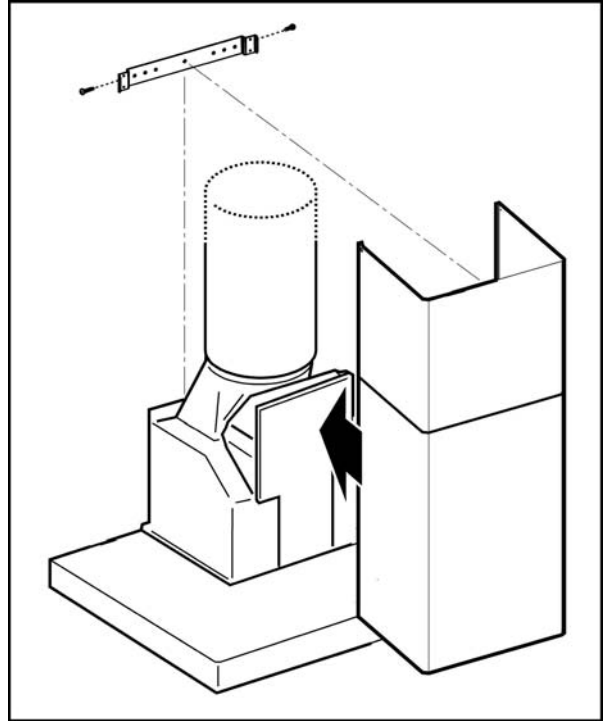


- If not already done, install 1/2" conduit connector in j-box.

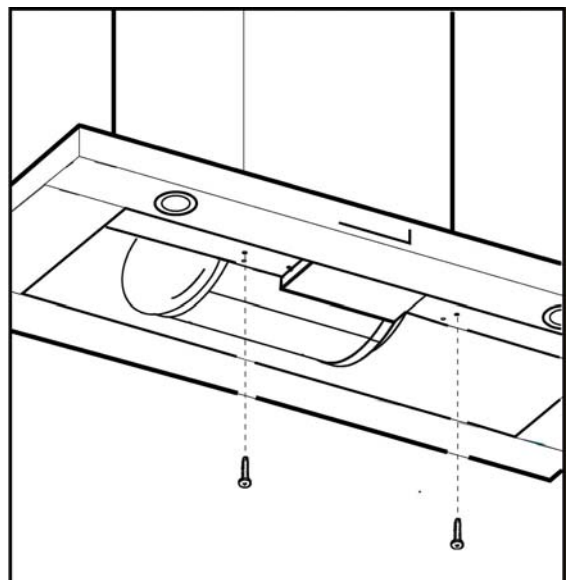


### Mounting the duct cover

- Position the duct cover over the mounted hood.
- Slide the bottom of the duct into the canopy area.
- Position the top of the duct over the duct mounting bracket. If a telescopic duct cover is used, grab the upper part of the telescopic duct cover, pull it and place it in the duct cover mounting bracket.
- Secure the top of the duct with 2 assembly screws provided.



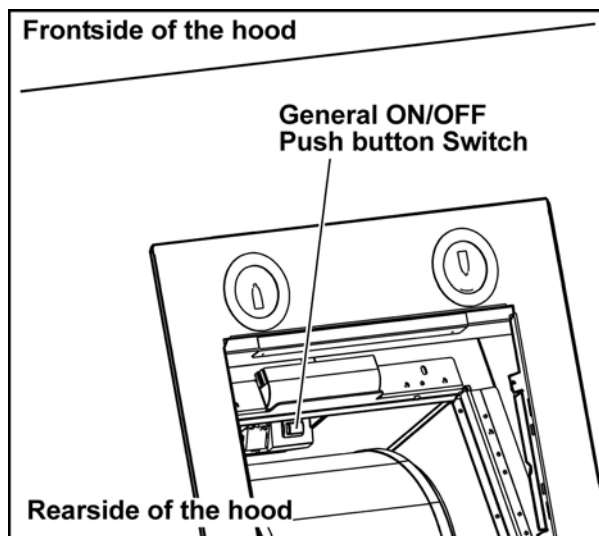
- Secure the bottom of the duct with 2 assembly screws provided.



Install the grease filter and turn power on at service panel. Check operation of the hood.

**If range hood does not operate:**

- Check that the circuit breaker is not tripped or the house fuse blown.
- Disconnect power supply. Check that wiring is correct.
  
- Check that the internal General ON/OFF Push button Switch is switched ON.



To get the most efficient use from your new range hood, read the "Use and Care Information" section.

Keep your Installation Instructions and Use and Care Guide close to range hood for easy reference.

## Installation - Ductless (Recirculating) version

### CAUTION

To install the hood in this version, first purchase the **Ductless Recirculating Kit**.

**includes:** charcoal filter and deflector

- If possible, disconnect and move freestanding or slide-in range from cabinet opening to provide easier access to rear wall. Otherwise put a thick, protective covering over countertop, cooktop or range to protect from damage and debris. Select a flat surface for assembling the unit. Cover that surface with a protective covering and place all canopy hood parts and hardware in it.
- Determine and mark the centerline on the wall where the canopy hood will be installed.
- Select a mounting height comfortable for the user and mark on wall.
- Tape template, matching center-line and hood bottom.

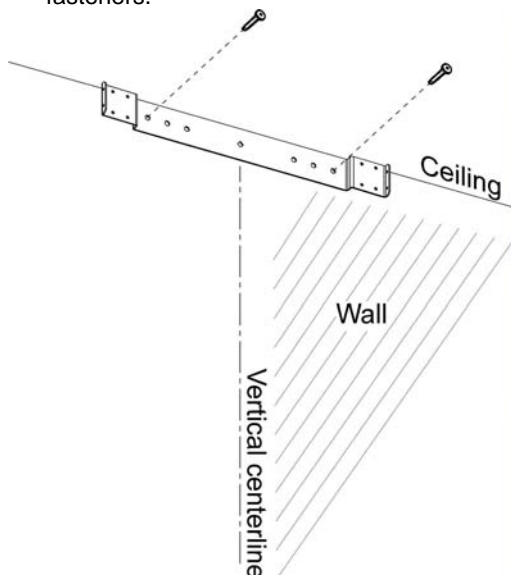
### Mounting the duct cover bracket

The duct bracket should be installed against the back wall and flush with the ceiling.

This bracket will hold the telescopic duct cover in place at the top.

### Secure the bracket to the wall:

- Align the marked centerline on the bracket with the centerline on the wall.
- Mark 2 screw hole locations in the wall.
- Drill 5/16" pilot holes in the marked locations.
- Install wall fastener anchors.
- Drive wood screws, by hand, into the fastener to allow anchors to expand. Remove the screws.
- Secure the bracket to the wall with wood screws and/or fasteners.



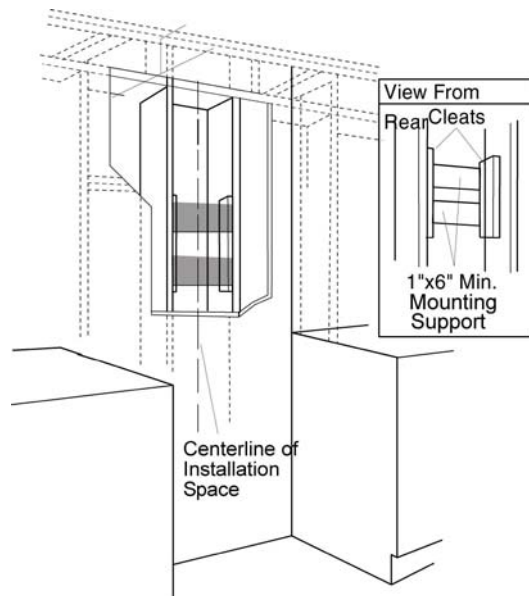
### House wiring location

- The junction box is located on the top left side of the hood.
- Wiring should enter the back wall at least 20 - 1/4" above the bottom of the installation height, and within 7-5/8" and 4-7/8" of the left side of the centerline.

### Install framing for hood support

- If drywall is present, mark the screw hole locations. Remove the template.
- Cut away enough drywall to expose 2 vertical studs at the holes location indicated by the template. Install two horizontal supports at least 4" X 2" between two wall studs at the bottom and upper mounting holes installation location.
- The horizontal support must be flush with the room side of the studs. Use cleats behind both sides of the support to secure to wall studs.
- Reinstall drywall and refinish.

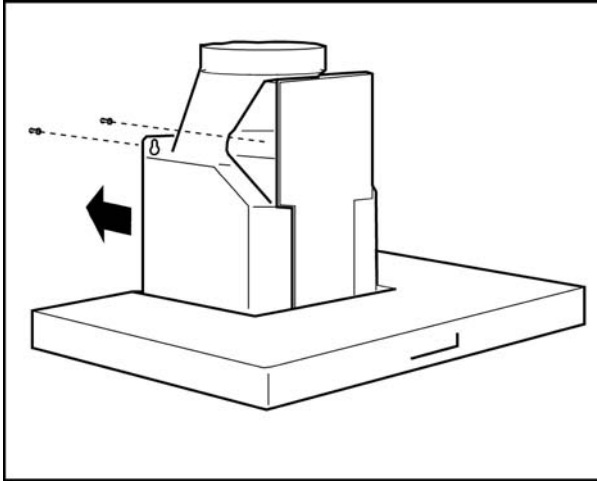
**IMPORTANT- Framing must be capable of supporting 100 lbs.**



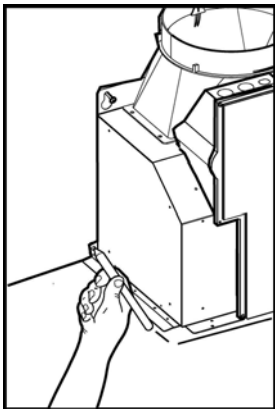
**Mounting the hood**

**WARNING:** 2 people are required to lift and position the hood onto the mounting screws.

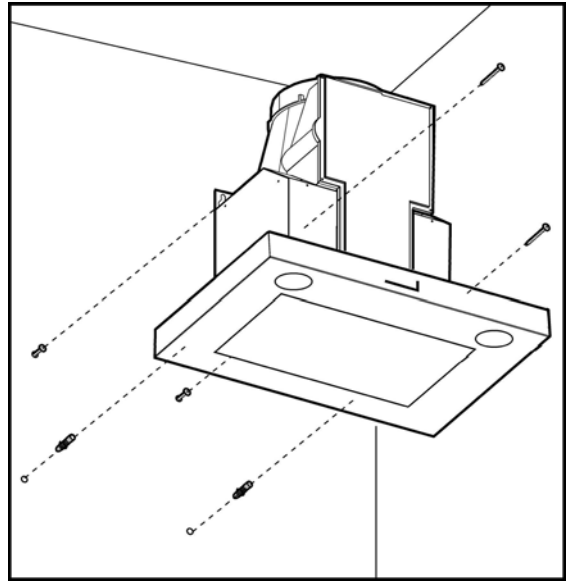
- Place the template on the wall along the horizontal line, make sure the template is leveled and centered with the centerline.
- Mark "upper" screw holes locations in the wall.
- **IMPORTANT.** Check to be sure that hole locations are leveled and correctly centered by the vertical centerline.
- Drive "upper" wood screws by hand. Leave ¼ " of distance between the screw head and the wall.
- Remove the grease filter and mount the hood onto the "upper" screws.



- Mark "lower" wood screw holes locations in the wall using a pencil.

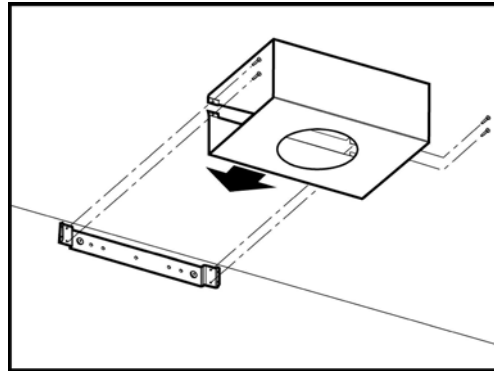


- Remove the hood.
- Drive "lower" wood screws, by hand. Remove screws.
- Mount the hood onto the "upper" screws.
- Drive and tighten the "upper" wood screws, by hand.
- Drive and tighten the "lower" wood screws, by hand.

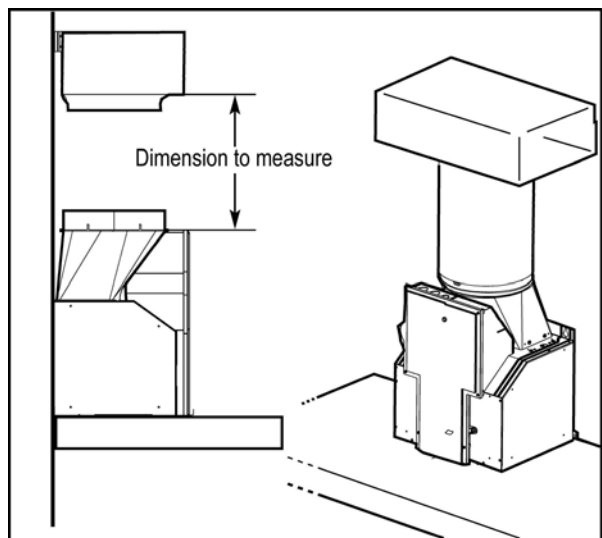


**Air deflector installation**

- Assemble the air deflector with the duct cover bracket with 4 assembly screws provided as shown.



- Measure from the bottom of the air deflector to the bottom of the hood outlet, as shown.



- Cut the duct at the measured size.
- Uninstall the air deflector removing the 4 assembly

screws.

- Slip the duct onto the bottom of the deflector.
- Place the assembled deflector and duct over the exhaust outlet from the hood.
- Assemble the air deflector to the duct cover bracket with 4 assembly screws provided as shown.

### Electrical connection

#### **WARNING**

#### **Electrical Shock Hazard**

**Warning: Turn off power circuit at the service panel before wiring this unit.**

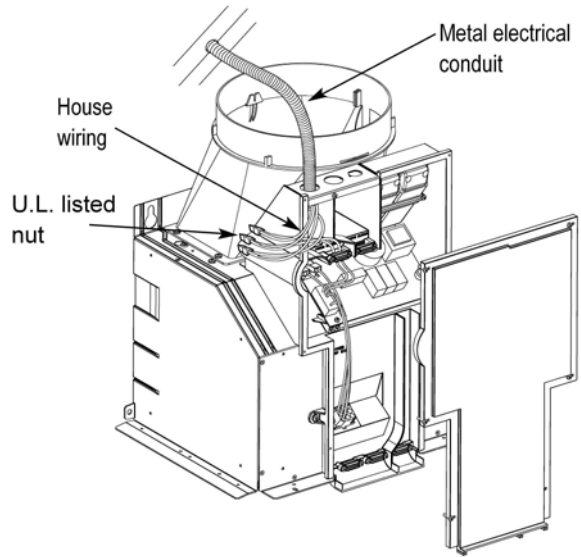
**120 VAC, 15 or 20 Amp circuit required.**

#### **ELECTRICAL GROUNDING INSTRUCTIONS**

THIS APPLIANCE IS FITTED WITH AN ELECTRICAL JUNCTION BOX WITH 3 WIRES, ONE OF WHICH (GREEN/YELLOW) SERVES TO GROUND THE APPLIANCE. TO PROTECT YOU AGAINST ELECTRIC SHOCK, THE GREEN AND YELLOW WIRE MUST BE CONNECTED TO THE GROUNDING WIRE IN YOUR HOME ELECTRICAL SYSTEM, AND IT MUST UNDER NO CIRCUMSTANCES BE CUT OR REMOVED.

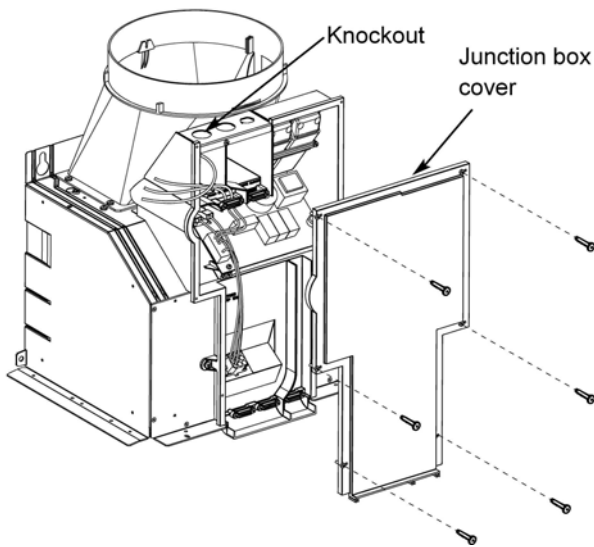
**Failure to do so can result in death or electrical shock.**

Facing the front of the range hood, remove the left knockout and the Junction box cover and install the conduit connector (cULus listed) in junction box.

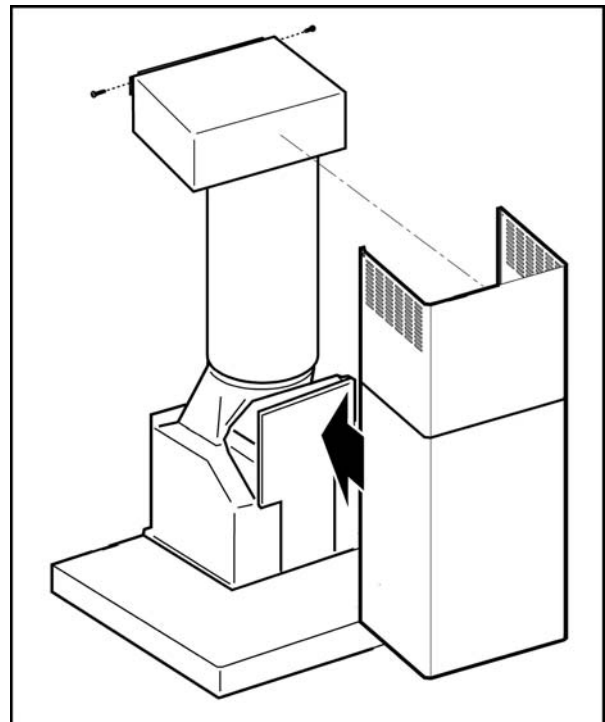


### Mounting the duct cover

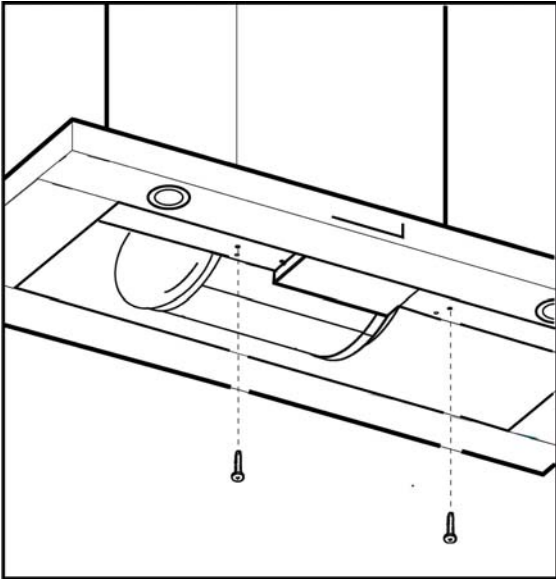
- Position the duct cover over the mounted hood.
- Slide the bottom of the duct into the canopy area.
- Position the top of the duct over the duct mounting bracket. If a telescopic duct cover is used, grab the upper part of the telescopic duct cover, pull it and place it in the duct cover mounting bracket.
- Secure the top of the duct with 2 assembly screws provided.



- If not already done, install 1/2" conduit connector in j-box.



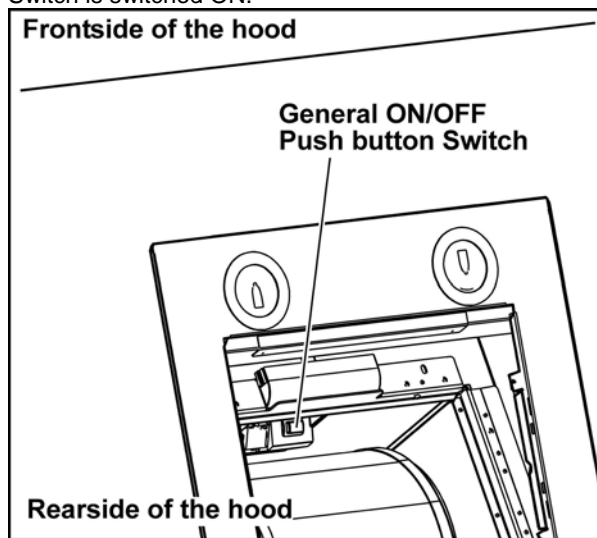
- Secure the bottom of the duct with 2 assembly screws provided.



Install the charcoal filter on the back side of the grease filter, install both on the range hood and turn power on at service panel. Check operation of the hood.

**If range hood does not operate:**

- Check that the circuit breaker is not tripped or the house fuse blown.
- Disconnect power supply. Check that wiring is correct.
- Check that the internal General ON/OFF Push button Switch is switched ON.



To get the most efficient use from your new range hood, read the "Use and Care Information" section.

Keep your Installation Instructions and Use and Care Guide close to range hood for easy reference.