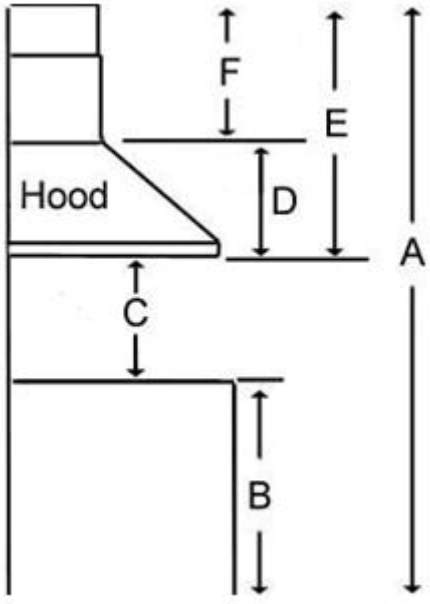


INSTALLATION

PLEASE READ ENTIRE INSTRUCTIONS BEFORE PROCEEDING

Calculation before Installation

To calculate installation, please refer to TABLE 1. (All calculation in inches.)

TABLE 1	
<p>A = Height of Floor to Ceiling B = Height of Floor to Counter Top (Standard: 36") C = Preferred Height of Counter Top to Hood Bottom (Minimum 26" to 30") D = Height of Hood E = Height of Duct Cover [F – D] F = Height of the Hood Installation [A – (B+C)]</p>	 <p>The diagram illustrates the vertical dimensions for hood installation. A vertical line represents the wall. At the bottom, a horizontal line indicates the counter top, with a vertical dimension line labeled 'B' from the floor to this line. Above the counter top, a horizontal line indicates the bottom of the hood, with a vertical dimension line labeled 'C' between the counter top and the hood bottom. The hood itself is shown as a trapezoidal shape with a horizontal top edge and a slanted side. A vertical dimension line labeled 'D' measures the height of the hood from its bottom edge to its top edge. Above the hood, a horizontal line indicates the top of the duct cover, with a vertical dimension line labeled 'E' between the hood top and the duct cover top. The total height from the floor to the top of the duct cover is labeled 'F'. Finally, a vertical dimension line labeled 'A' measures the total height from the floor to the ceiling.</p>

⚠ SAFETY WARNING

HOOD MAY HAVE VERY SHARP EDGES; PLEASE WEAR PROTECTIVE GLOVES IF REMOVING ANY PARTS FOR INSTALLING, CLEANING OR SERVICING.

NOTE: BE CAREFUL WHEN USING ELECTRICAL SCREWDRIVER, DAMAGE TO THE HOOD MAY OCCUR.

Preparation before Installation

NOTE: TO AVOID DAMAGE TO YOUR HOOD, PREVENT DEBRIS FROM ENTERING THE VENT OPENING.

- Decide the location of the venting pipe from the hood to the outside. Refer to Figure 1.
- A straight, short venting run will allow the hood to perform more efficiently.
- Try to avoid as many transitions, elbows, and long run as possible. This may reduce the performance of the hood.
- Temporarily wire the hood to test for proper operation before installing. If the hood does not operate, check the circuit breaker or house fuse. If the hood is still not working, disconnect power supply and check the continuity of all wire connections.
- Peel protective film off the hood (if any).
- Use duct tape to seal the joints between pipe sections.
- If necessary, prepare back wall frame with cross framing lumber for secure installation. Using references on Table 1 and measurements on page 13-14, decide the level of the lumber. Refer to Figure 2.

Figure 1

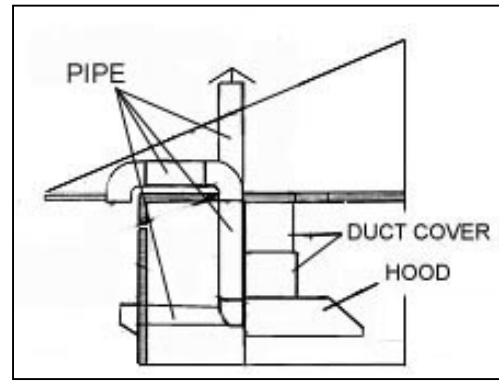
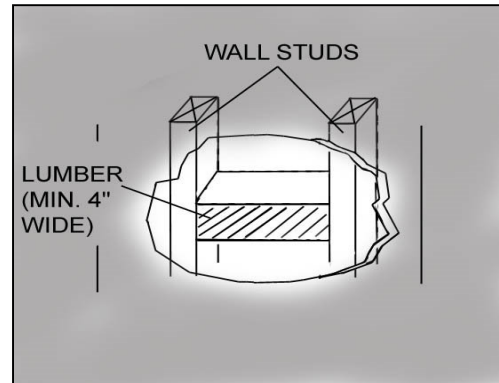


Figure 2



Hood Installation

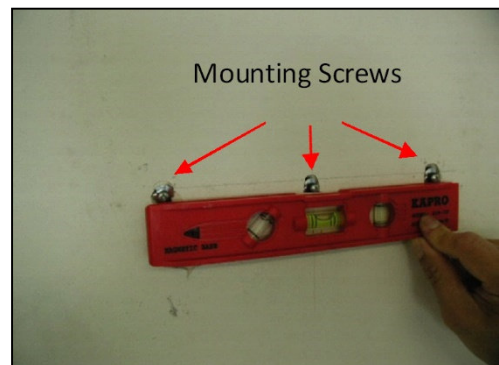
CAUTION: USE HAND TOOLS ONLY. DO NOT OVER TIGHTEN SCREWS. IT MAY CAUSE DAMAGE TO THE HOOD.

CAUTION: If moving the cooking range is necessary to install the hood, turn off the power in an electric range at the main electrical box. SHUT OFF THE GAS BEFORE MOVING A GAS RANGE. And use a protective covering to protect cooktop and/or countertop from damage.

1. Using references on Table 1 and measurements on page 13-14, mark the leveling point of the hood. Position mounting screws (provided) on the wall, leaving 1/8" away from the wall as shown in Figure 3.
2. Align Hood-Mounting Bracket to the three screws on the wall and hook hood into place. Tighten screws to secure hood to the wall.

CAUTION: MAKE SURE THE HOOD IS SECURE BEFORE RELEASING.

Figure 3



Wiring to Power Supply

⚠ THIS RANGE HOOD MUST BE PROPERLY GROUNDED. MAKE SURE THIS IS DONE BY QUALIFIED ELECTRICIAN IN ACCORDANCE WITH ALL APPLICABLE NATIONAL AND LOCAL ELECTRICAL CODES. BEFORE CONNECTING WIRES, SWITCH POWER OFF AT SERVICE PANEL AND LOCK SERVICE PANEL TO PREVENT POWER FROM BEING SWITCHED ON ACCIDENTALLY.

- If hood is operating normally, connect three wires (black, white and green) to house wires and cap with wire connectors.
- Store wires in the wiring box.

Ductwork Installation

3. Use steel pipe to connect the exhaust on the hood to the ductwork. Use duct tape to make all joints secure and air tight.

Duct Cover Installation

4. Mark the position of the Duct Cover-Mounting Bracket {G}. Use reference E from Table 1 and measurements on page 13-14. Attach and secure Duct Cover-Mounting Bracket {G} with two screws (provided). Refer to Figure 4. NOTE: Inner duct cover will cover the Duct Cover-Mounting Bracket.
5. Position the entire duct cover up onto the hood.
6. Secure the inner duct cover with two (3/16" x 3/8") screws {H} to the Duct Cover-Mounting Bracket {G}. Shown in Figure 5.
7. Secure the outer duct cover with four (3/16" x 3/8") screws {H} to the Hood Mounting Bracket.

Install / Uninstall Accessories

8. Place baffle filters underneath the hood. (Figure 6)

Final Assembly

9. Turn power ON in control panel. Check all lights and fan operation.
10. Leave this Installation Instructions and Operation Manual for the homeowner.

Figure 4

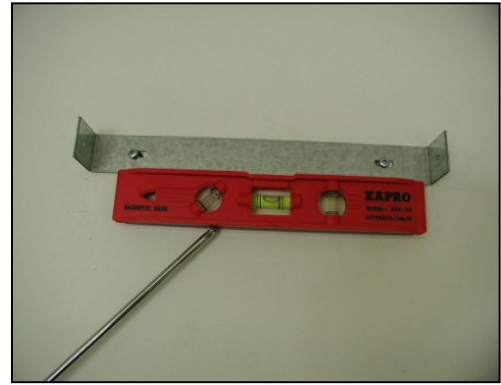


Figure 5



Figure 6

