

Installation

Ceiling Support Structures

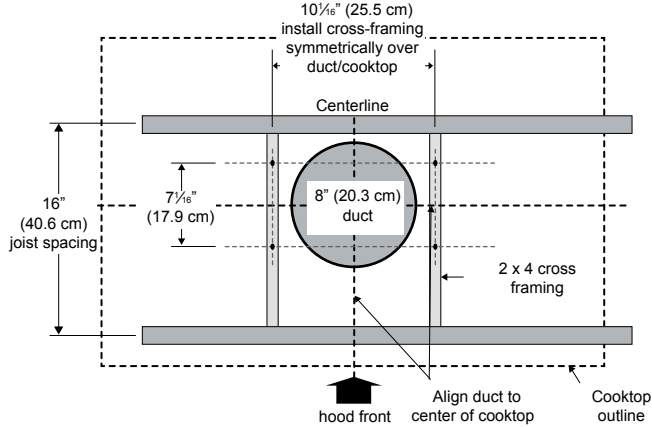
- This vent hood is heavy. Adequate structure and support must be provided in all types of installations.
- At the hood location, install 2"x 4" cross framing between ceiling joists as shown. (2"x 4" are required to support the weight of the hood.)
- Arrange cross framing in the ceiling to suit the existing structure.
- Your ceiling joists will be like one of the following examples.

IMPORTANT

Framing must be capable of supporting 150lbs.

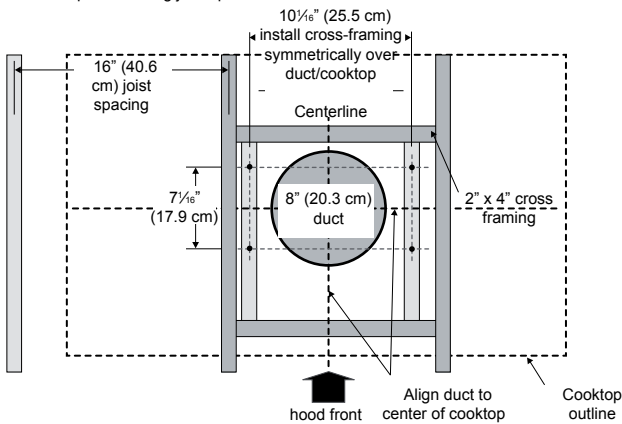
EXAMPLE A

NOTE: Top view ceiling joists parallel to front of hood



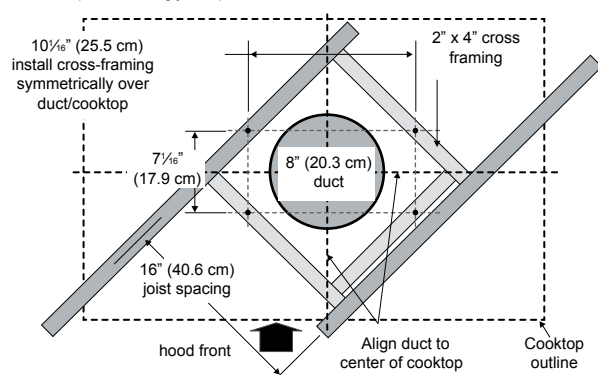
EXAMPLE B

NOTE: Top view ceiling joists parallel to front of hood



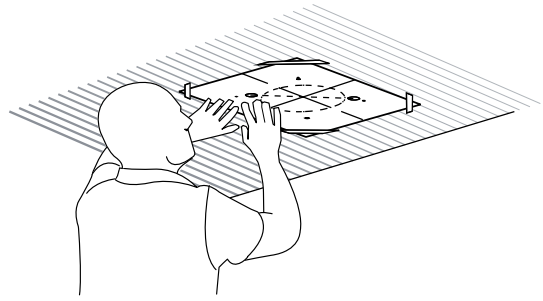
EXAMPLE C

NOTE: Top view ceiling joists parallel to front of hood

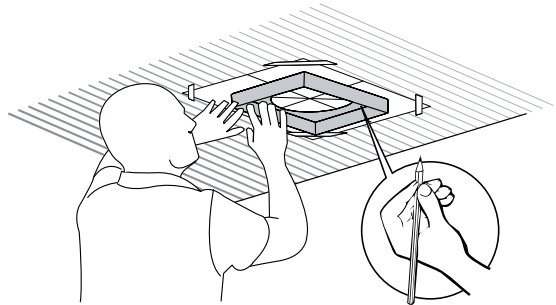


Install Range Hood

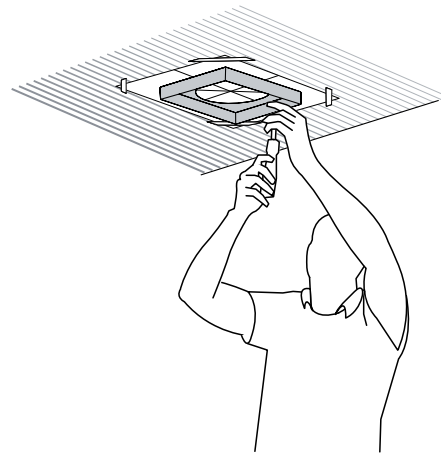
- Place the template in the ceiling considering the instructions for ceiling support structures. Always consider the front of hood legend when playing the template on the ceiling. It will define the control's location.



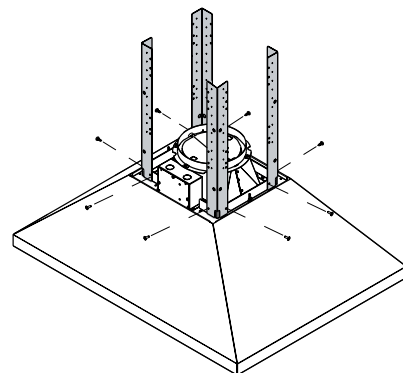
- Mark with a pencil the hole locations for screws and duct in the ceiling.



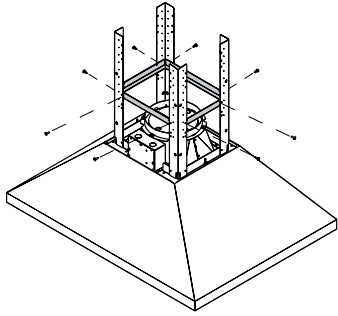
- Fix the upper horizontal support with 4 wood screws.



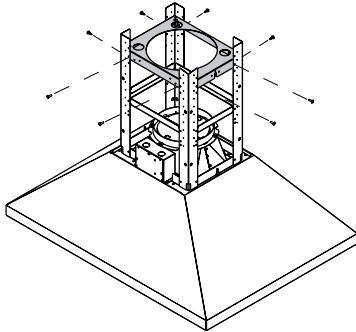
- Attach the 4 lower vertical supports to the hood with 8 - 4.2 x 8mm screws.



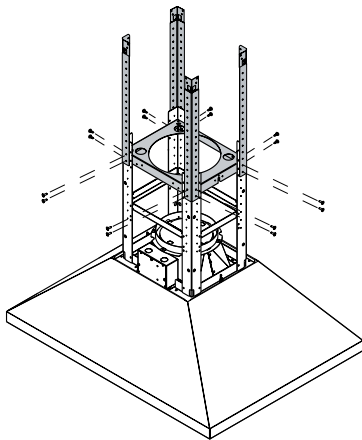
- Attach the lower horizontal support to the hood with 8 - 4.2 x 8mm screws.



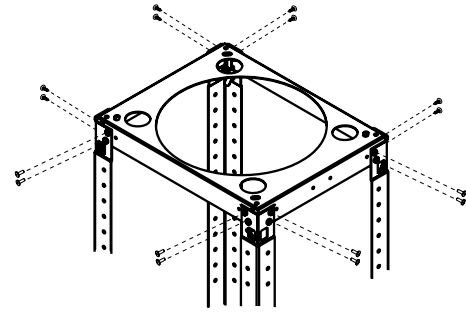
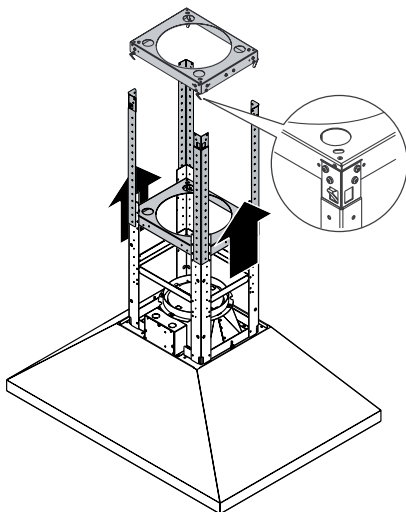
- Attach the middle horizontal support to the hood with 8 - 4.2 x 8mm screws.



- Attach the 4 upper vertical supports to the hood with 16 - 4.2 x 8mm screws.

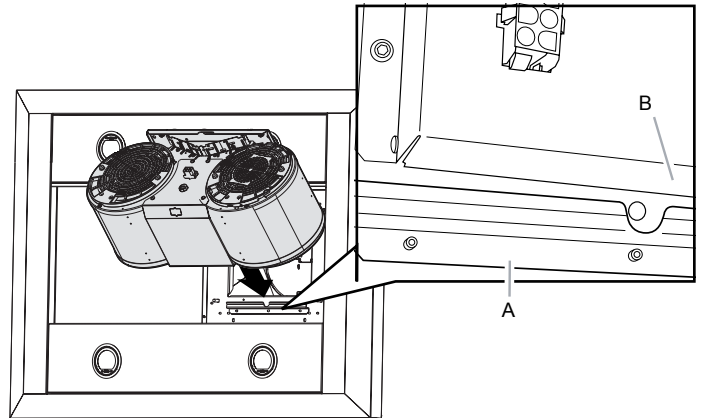


- Attach the assembly to the support fixed on the ceiling. Assure it with 16 - 4.2 x 8mm screws.



Mounting the range hood blower

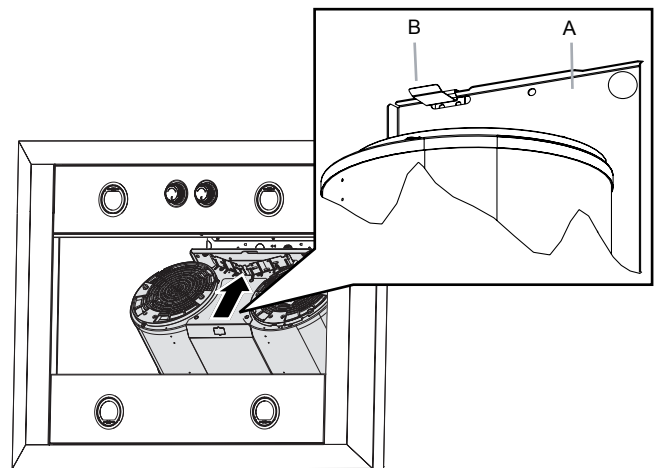
1. Slide the rear mounting plate flange under the bracket.



A. Bracket
B. Blower mounting plate

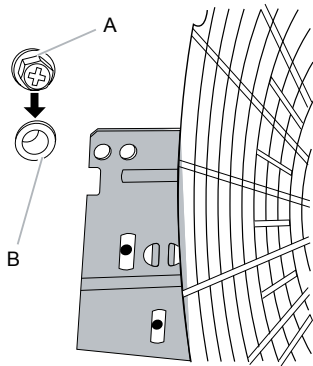
2. Push the front end of the mounting plate up and snap into spring tab.

NOTE: The spring tab should be outside of the slot in the mounting plate.



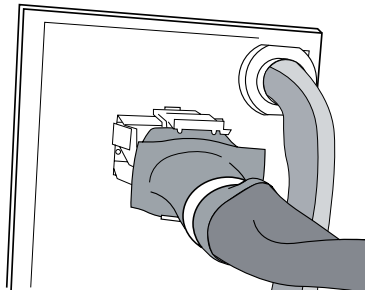
A. Blower mounting plate
B. Spring tab

3. Align mounting holes and install 4 - 6 x 16 mm screws.



A. Screw with lock washer
B. Mounting hole

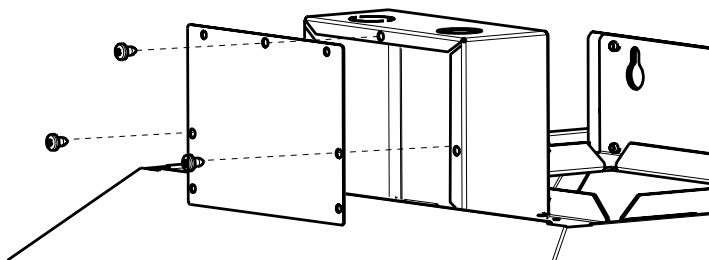
4. Attach power cord connector to connector on wire box on blower motor mounting plate.



Make Electrical Connection

WARNING: Electrical Shock Hazard
Disconnect power before servicing.
Replace all parts and panels before operating.
Failure to do so can result in death or electrical shock.

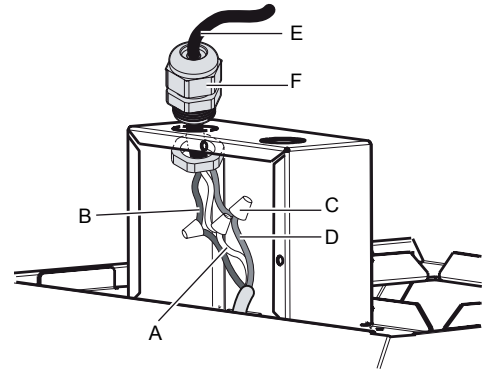
1. Disconnect power.
2. Locate junction box of the range hood.
3. Remove terminal box cover and set aside.



A. Knockout in canopy back into terminal box

4. Remove knockout from terminal box and install a UL listed or CSA approved 1/2" strain relief.
5. Place the range hood near its mounting position and run the power supply cable through the strain relief into terminal box (enough to make connection).

6. Tighten the strain relief screws.

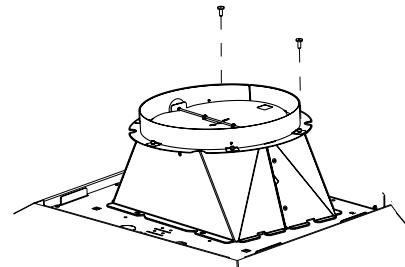


A. White wires
B. Black wires
C. UL listed wire connectors
D. Green, Bare or Yellow/Green wires
E. Home power supply
F. UL listed or CSA approved 1/2" strain relief

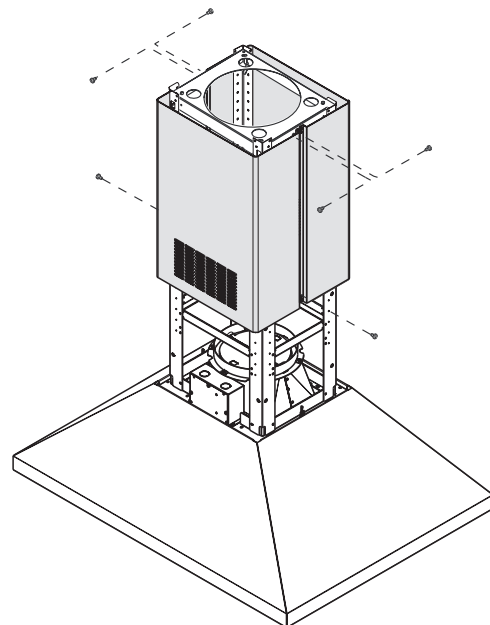
7. Use UL listed wire connectors and connect black wires (B) together.
8. Use UL listed wire connectors and connect white wires (A) together.
9. Connect green (or bare) ground wire from home power supply to the green/yellow ground wire (D) in terminal box using UL listed wire connectors.
10. Install terminal box cover.
11. Check that all light bulbs are secure in their sockets.
12. Reconnect power.

Complete Installation

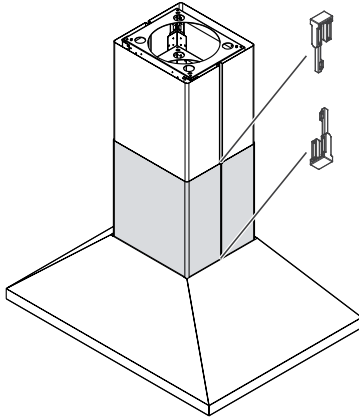
- Secure the 8" (20.3 cm) round vent transition with damper to top of the range hood using 2 - 3.5 x 9.5 mm screws.



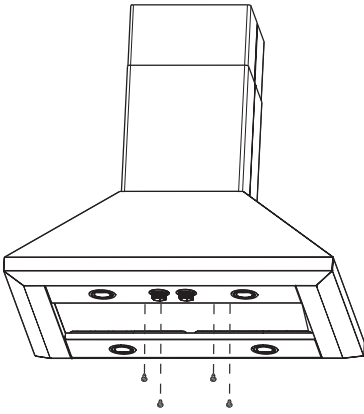
- Attach the upper duct covers using 6 - 3.5x6.5 mm screws.



- Place lower duct covers using one plastic bracket at each side (4 needed).



- The lower duct cover shall be secured to rangehood by 4 screws.



- Install the grease filter and turn power on at service panel.
- Check operation of the hood.