

Installation

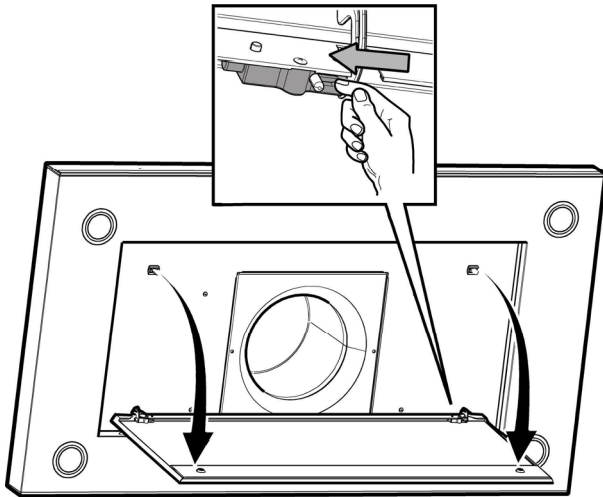
Preparation of the hood for installation:

To facilitate the installation it is recommended to remove the panel before installing the hood.

Attention! Keep both hands on the panel when disassembling or reassembling it into place to prevent it from falling and causing damage to persons or property.

Disassembly:

- Pull the panel (FRONT SIDE) firmly down,
- Push the small lever, located in the right side of the panel, to the left,
- Unhook it from the rear joints.



Installation - Ducting version

1. Pre-installation calculations

K = Kitchen Height

C = Counter Height (36" standard)

P = Preferred Height of Hood

Bottom above counter (Recommended 24"-30")

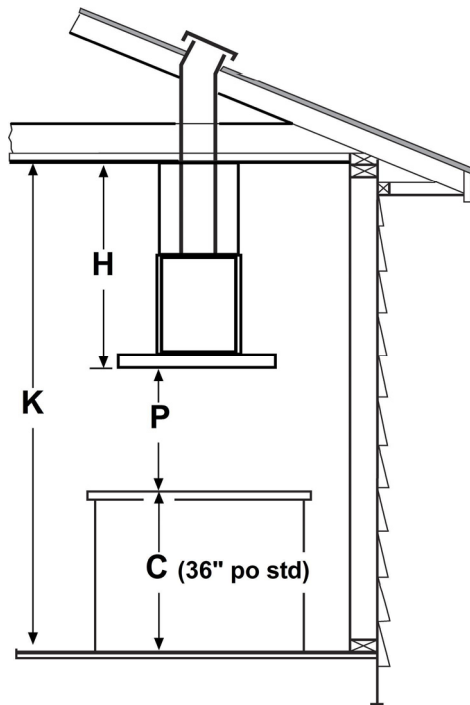
H = Hood height your installation

$H = K - C - P$

a) Select a hood preference height **P** that is comfortable for the user. (from 24" to 30").

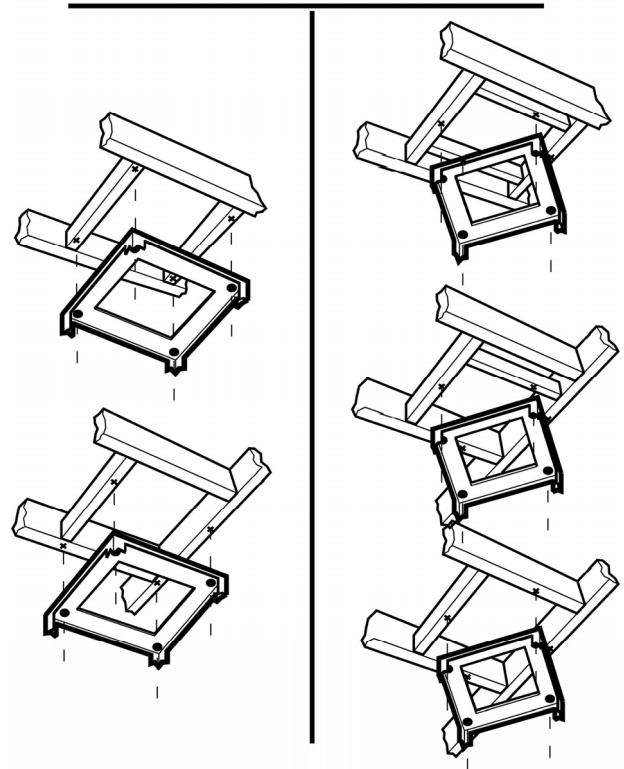
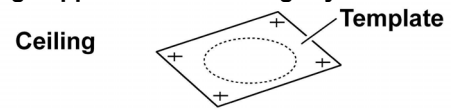
b) Calculate Hood height your installation $H = K - C - P$.

c) Confirm that H is within the range of min to max H found for your model (See "Dimensions and clearances" paragraph). If not adjust your installation.



2. Preparation of mounting surface

Installing supports above ceiling drywall.



Note: Take into consideration the hood depth; the hood could be much deeper than the cooktop.

a. Mark center lines of cooktop or range on ceiling above. Use centerlines marked on ceiling to position the mounting template.

Note location of hood front (that indicated with a printed arrow), side, and mounting holes indicated on template.

Note: Remember that printed arrow on template corresponds to front of the hood and consequently to side where control panels will be located at the end of installation)

b. Remove and save template. Cut and remove ceiling drywall. Install suitable length 2" x 4" lumber between joists to provide chimney mounting points as shown above. Use template for dimensions and required clearance.

Make sure to affix the added lumber firmly and level. Consult a professional if you have difficulties or your installation is unique. Consult template and Figs. above.

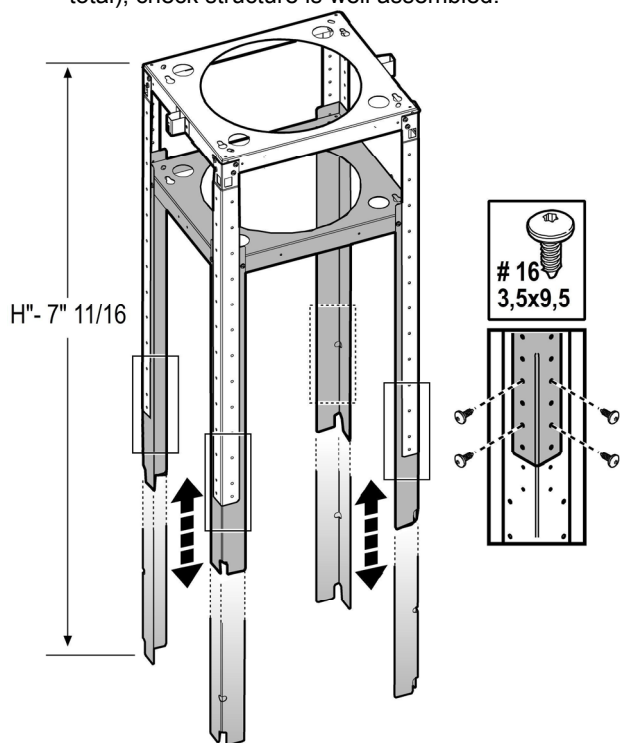
c. Install a 8" exhaust duct and extend length = $H - 28"$ from ceiling. Duct shall be securely fastened to joists. Do not use duct smaller than specified.

Attention: Duct installation is not required for non-vented (recirculating) installations

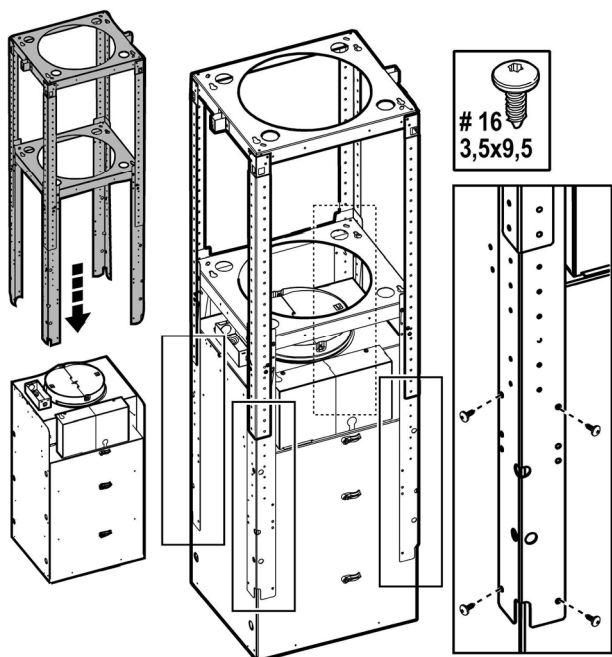
d. Install 1/2" electrical conduit in location marked on template and extend length from ceiling.

Note: If a Remote ventilator installation is required/needed, then provide an additional hole/conduit.

- e. Install drywall around duct and conduit; then refinish ceiling, leave enough clearance for easy installation of chimney structure up to ceiling.
 - f. Tape Template in place and fit 4 screws on mounting holes, do not tighten but leave a space of 1/2", remove the template.
3. a. Regulate chimney structure and fix all assembly parts with 4 screws to each bracket (16 screws in total), check structure is well assembled.



- b. Attach motor housing to chimney structure brackets with 4 screws to each bracket (16 screws in total) check everything is well assembled.

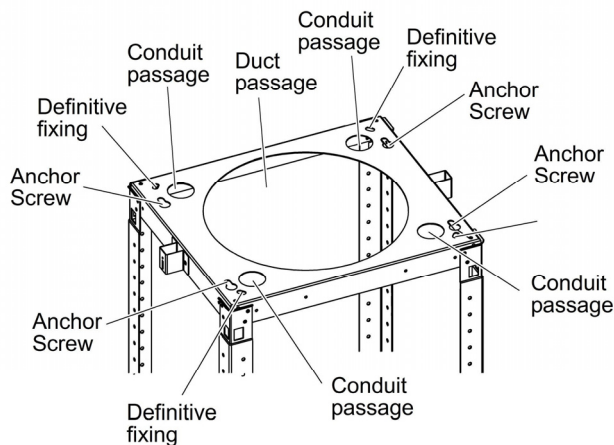


4. Hook the frame onto the 4 screws.

WARNING

Excessive Weight Hazard
Use two or more people to move and install range hood.
Failure to do so can result in back or other injury.

Make final angular adjustment to structure at ceiling if necessary then securely tighten 4 ceiling lag screws. Fit six additional screws for definitive fixing.

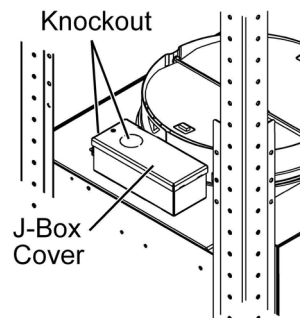


5. Connect the other end of the exhaust pipe to the flue. Seal with tape.
6. **Electrical connection**

WARNING
Electrical Shock Hazard
Warning: Turn off power circuit at the service panel before wiring this unit.
120 VAC, 15 or 20 Amp circuit required.

ELECTRICAL GROUNDING INSTRUCTIONS
 THIS APPLIANCE IS FITTED WITH AN ELECTRICAL JUNCTION BOX WITH 3 WIRES, ONE OF WHICH (GREEN/YELLOW) SERVES TO GROUND THE APPLIANCE. TO PROTECT YOU AGAINST ELECTRIC SHOCK, THE GREEN AND YELLOW WIRE MUST BE CONNECTED TO THE GROUNDING WIRE IN YOUR HOME ELECTRICAL SYSTEM, AND IT MUST UNDER NO CIRCUMSTANCES BE CUT OR REMOVED.
Failure to do so can result in death or electrical shock.

Remove the knockout and the Junction box cover and install the conduit connector (cULus listed) in junction box.

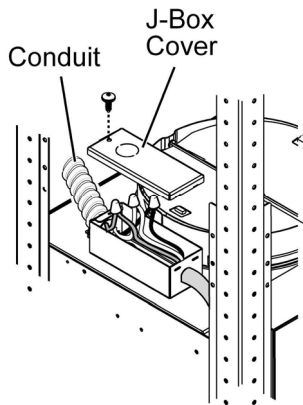


Run 3 wires; black, white and green ,according to the National Electrical Code and local codes and

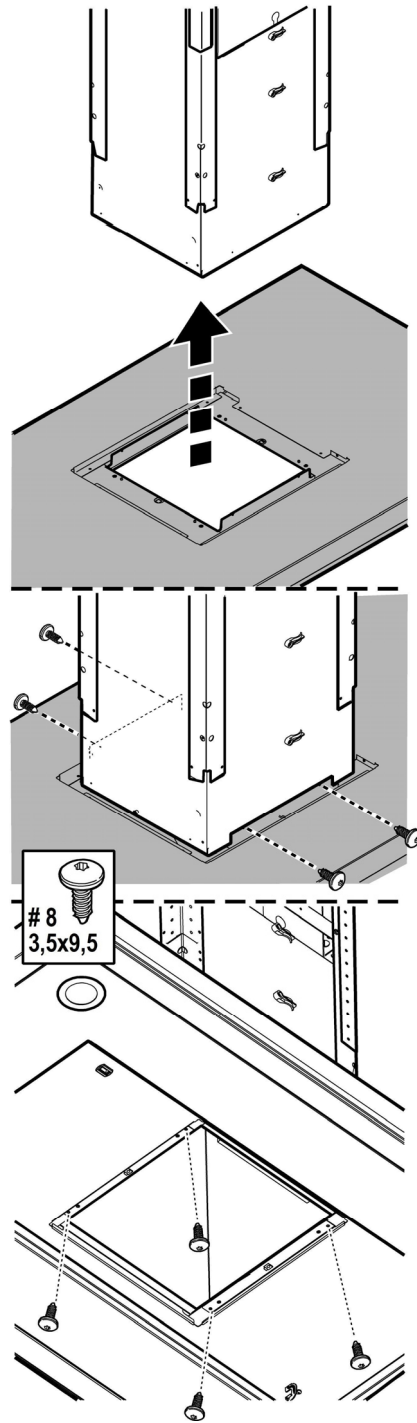
ordinances, in 1/2" conduit from service panel to junction box.

Connect black wire from service panel to black or red in junction box, white to white and green to green-yellow.

Close and secure junction box cover.

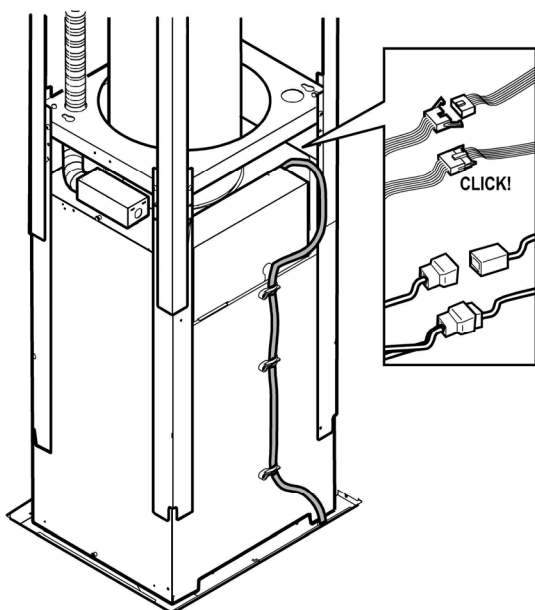


7. Attach the hood to the motor housing using 8 screws:
 - a. First, from above, using 4 screws.
Attention: At this stage, check that cable connection between the hood and the motor housing is not.
 - b. Then from the bottom, using 4 screws.



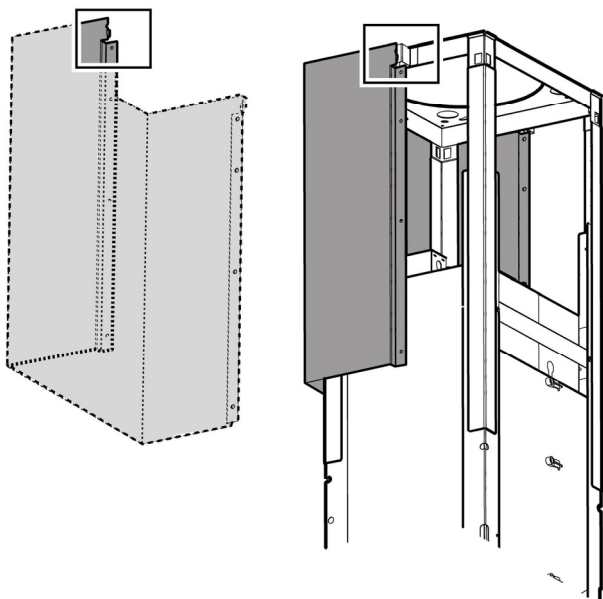
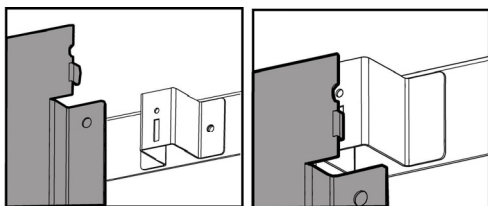
8. Carry out the electrical connection between the hood and the motor housing.

Note: Use cable locking straps to position the cable correctly.



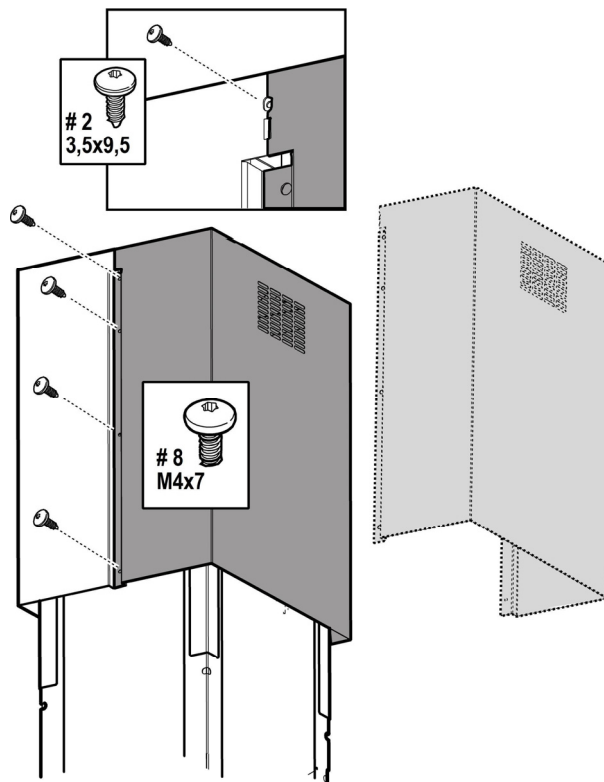
9. Join the 2 upper sections of the duct covering the perforated frame:

a. Verify that hooking fins fit into their corresponding side fitting slots.



- b. Attach at the top using 2 screws (one per side).

c. Permanently attach the two sections of the chimney using 8 screws (4 per side).



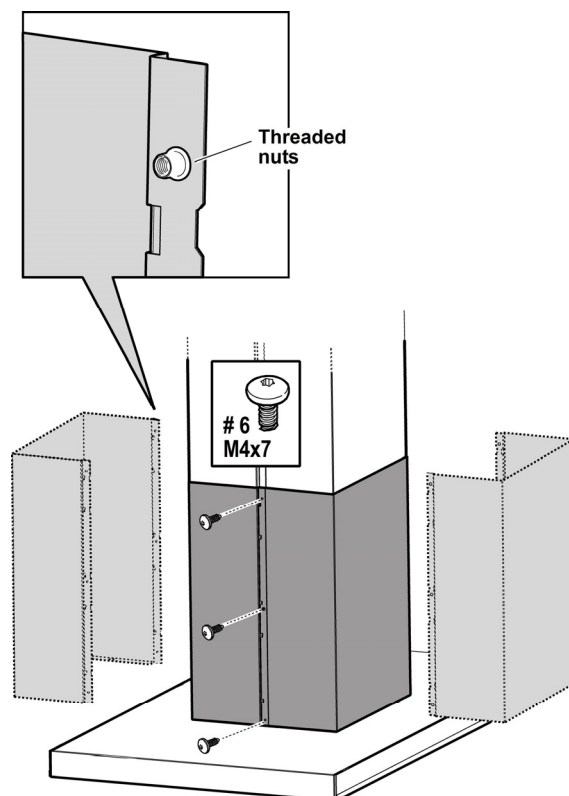
10. Fix the lower chimneys:

a. Place on top of the hood the lower/rear part of the chimney.

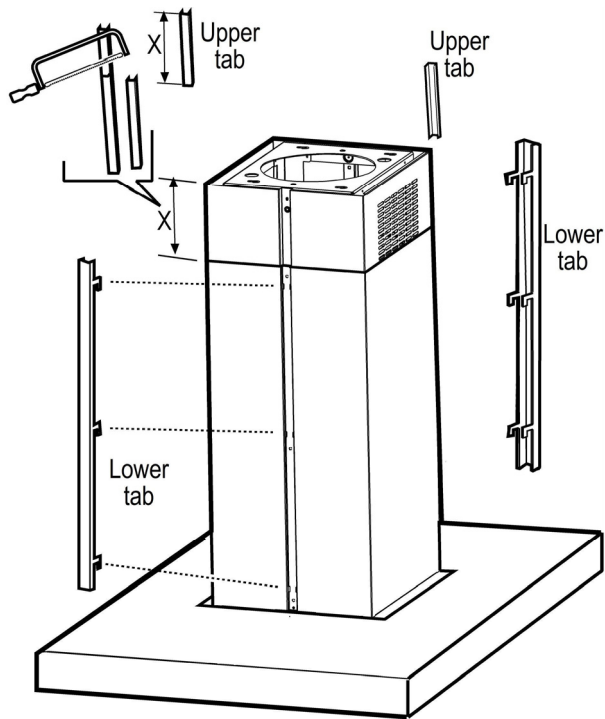
Note: the rear section is recognizable by the presence of threaded nuts.

b. Place on top of the hood the lower/front part checking for a good rear section fitting.

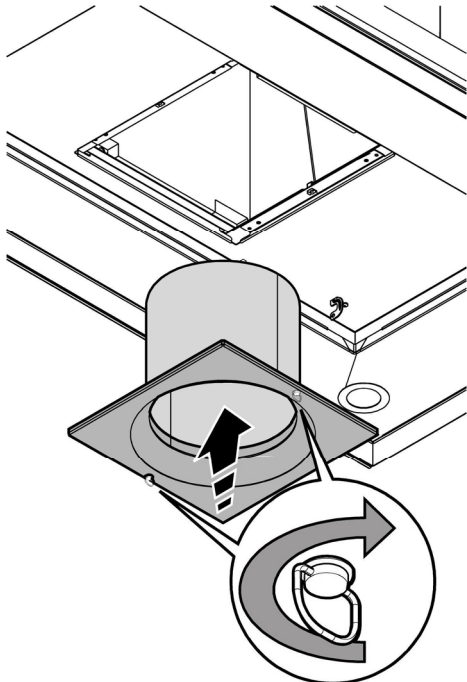
c. Secure using six screws (3 for each side).



11. Assemble the lower (narrow) trim strips to the lower vent cover assembly.
 Cut the upper (wide) trim strips to length to fit the upper duct cover assembly.
 Assemble the upper trim strips to the upper duct cover assembly.



12. Install grease filter assembly.



13. Reinstall the panel.

14. Check all light bulbs to make sure they are secure in their sockets.
 Turn power on in service panel.
 Check lights and blower operation per Care & Use section of this manual.

If range hood does not operate:

- Check that the circuit breaker is not tripped or the house fuse blown.
- Disconnect power supply. Check that wiring is correct.

To get the most efficient use from your new range hood, read the "Use and Care Information" section.

Keep your Installation Instructions and Use and Care Guide close to range hood for easy reference.

Installation - Ductless (Recirculating) version

1. Pre-installation calculations

K = Kitchen Height

C = Counter Height (36" standard)

P = Preferred Height of Hood

Bottom above counter (Recommended 24"-30")

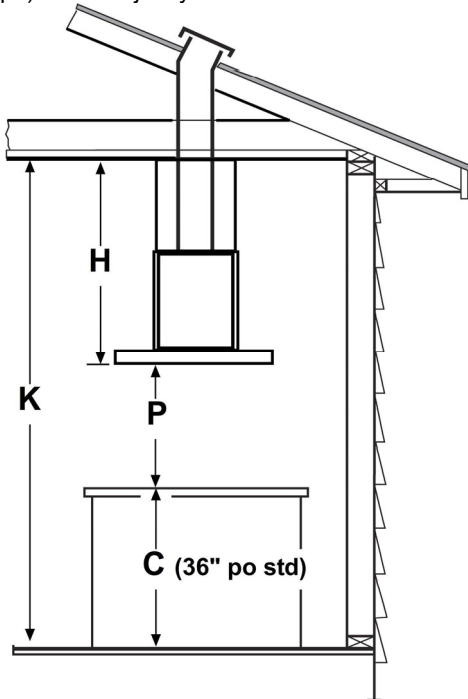
H = Hood height your installation

$H = K - C - P$

a) Select a hood preference height **P** that is comfortable for the user. (from 24" to 30").

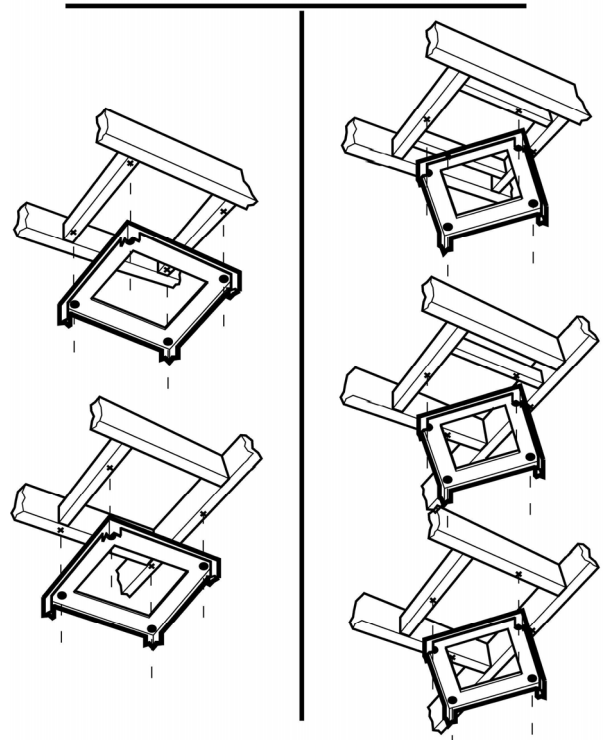
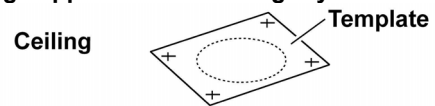
b) Calculate Hood height your installation $H = K - C - P$.

c) Confirm that **H** is within the range of min to max **H** found for your model (See "Dimensions and clearances" paragraph). If not adjust your installation.



2. Preparation of mounting surface

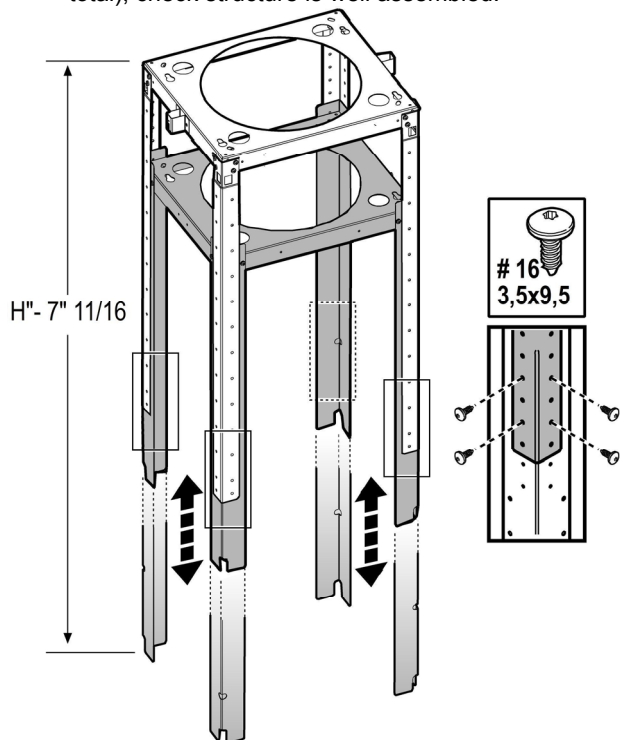
Installing supports above ceiling drywall.



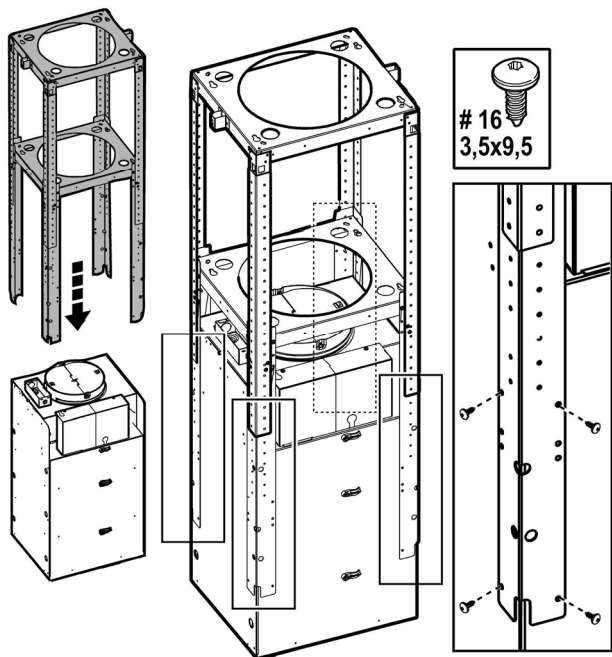
Note: Take into consideration the hood depth; the hood could be much deeper than the cooktop.

- Mark center lines of cooktop or range on ceiling above. Use centerlines marked on ceiling to position the mounting template.
Note location of hood front (that indicated with a printed arrow), side, and mounting holes indicated on template.
Note: Remember that printed arrow on template corresponds to front of the hood and consequently to side where control panels will be located at the end of installation)
- Remove and save template. Cut and remove ceiling drywall. Install suitable length 2" x 4" lumber between joists to provide chimney mounting points as shown above. Use template for dimensions and required clearance.
Make sure to affix the added lumber firmly and level. Consult a professional if you have difficulties or your installation is unique. Consult template and Figs.above.
- Install 1/2" electrical conduit in location marked on template and extend length from ceiling.
Note: If a Remote ventilator installation is required/needed, then provide an additional hole/conduit.
- Install drywall around duct and conduit; then refinish ceiling, leave enough clearance for easy installation of chimney structure up to ceiling.
- Tape Template in place and fit 4 screws on mounting holes, do not tighten but leave a space of 1/2", remove the template.

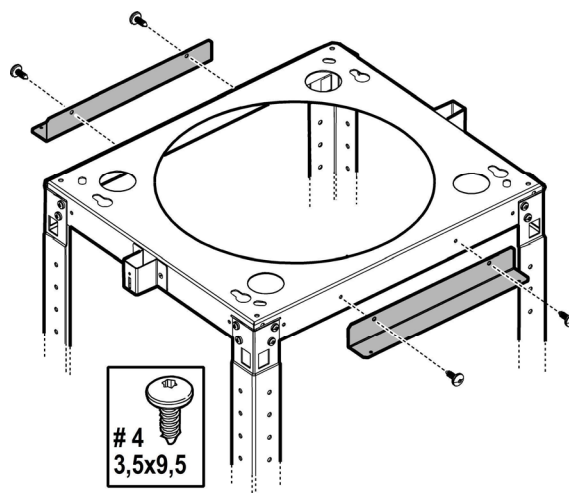
3. a. Regulate chimney structure and fix all assembly parts with 4 screws to each bracket (16 screws in total), check structure is well assembled.



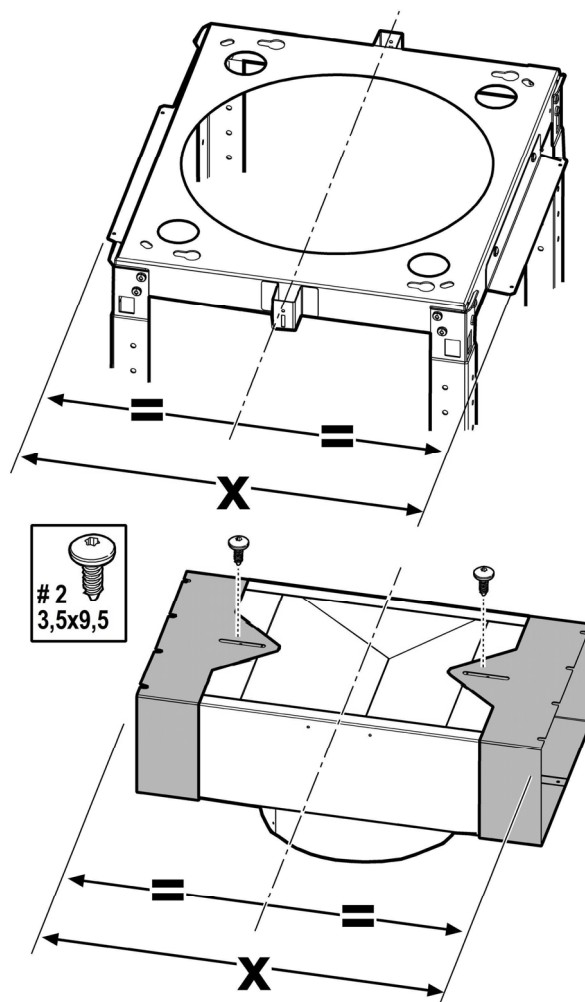
- b. Attach motor housing to chimney structure brackets with 4 screws to each bracket (16 screws in total) check everything is well assembled.



- c. Install two angle brackets (1 per side) for fixing the filtering connection. Each angle bracket is fixed using 2 screws.



- d. Adjust the width of the filtering connection and fix the telescopic sections using 2 screws (one for each section).

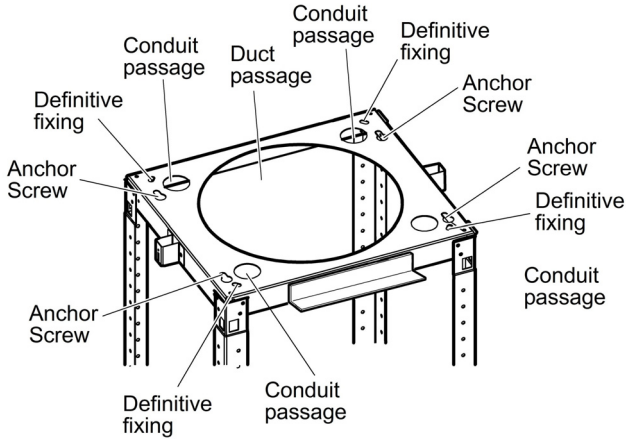


4. Hook the frame onto the 4 screws.

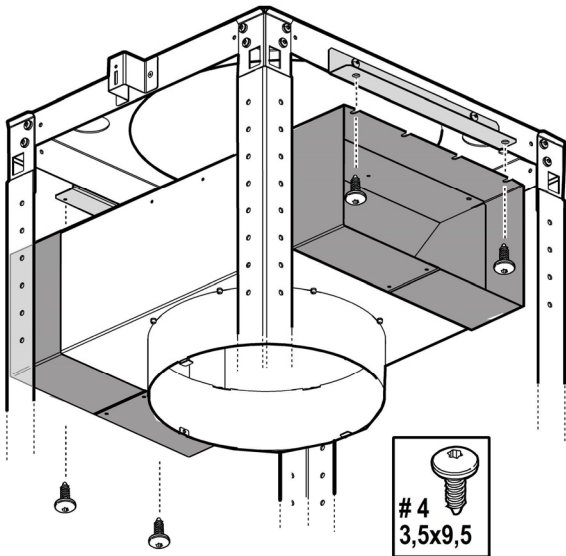
WARNING

Excessive Weight Hazard
 Use two or more people to move and install range hood.
 Failure to do so can result in back or other injury.

Make final angular adjustment to structure at ceiling if necessary then securely tighten 4 ceiling lag screws.
 Fit six additional screws for definitive fixing.



5. Fit deflector to the truss and secure it to the brackets using 4 screws, then install an exhaust pipe to connection ring located on the deflector to that located on top of the motor housing. Seal with tape



6. Electrical connection

WARNING

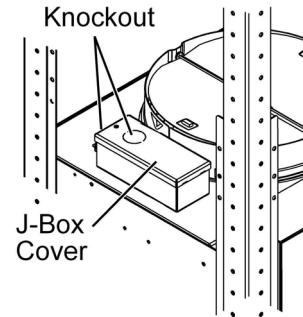
Electrical Shock Hazard
 Warning: Turn off power circuit at the service panel before wiring this unit.
 120 VAC, 15 or 20 Amp circuit required.

ELECTRICAL GROUNDING INSTRUCTIONS

THIS APPLIANCE IS FITTED WITH AN ELECTRICAL JUNCTION BOX WITH 3 WIRES, ONE OF WHICH (GREEN/YELLOW) SERVES TO GROUND THE APPLIANCE. TO PROTECT YOU AGAINST ELECTRIC SHOCK, THE GREEN AND YELLOW WIRE MUST BE CONNECTED TO THE GROUNDING WIRE IN YOUR HOME ELECTRICAL SYSTEM, AND IT MUST UNDER NO CIRCUMSTANCES BE CUT OR REMOVED.

Failure to do so can result in death or electrical shock.

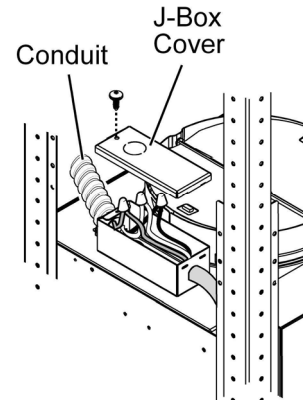
Remove the knockout and the Junction box cover and install the conduit connector (cULus listed) in junction box.



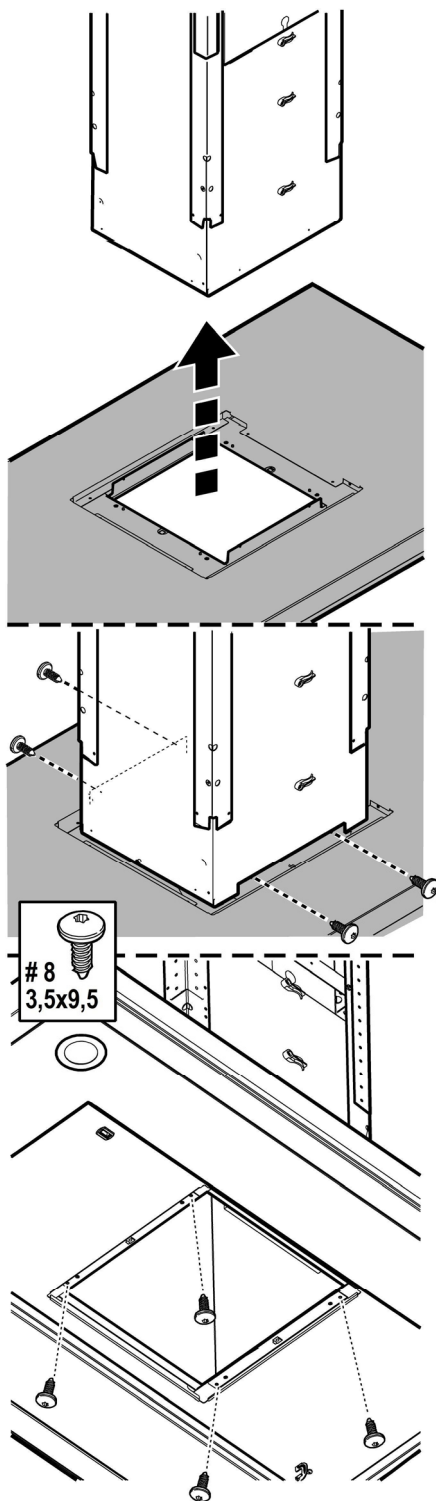
Run 3 wires; black, white and green, according to the National Electrical Code and local codes and ordinances, in 1/2" conduit from service panel to junction box.

Connect black wire from service panel to black or red in junction box, white to white and green to green-yellow.

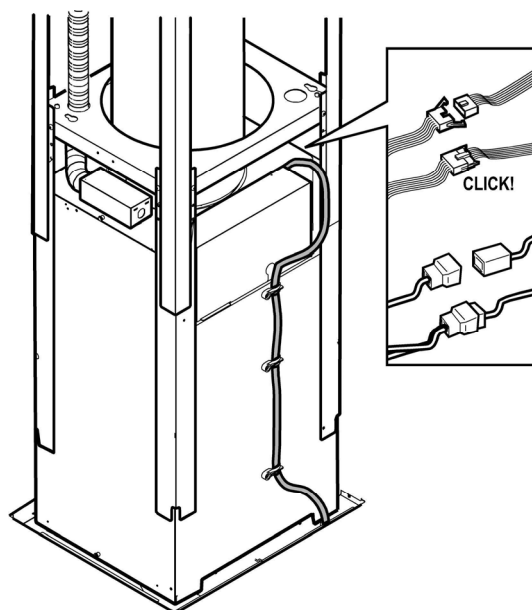
Close and secure junction box cover.



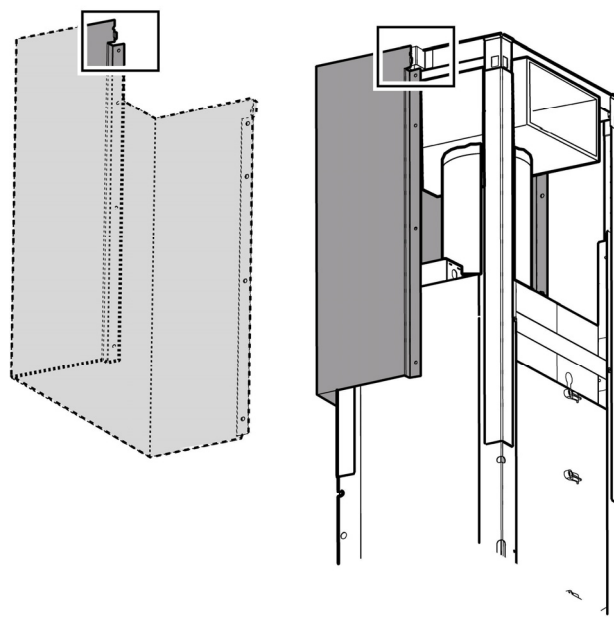
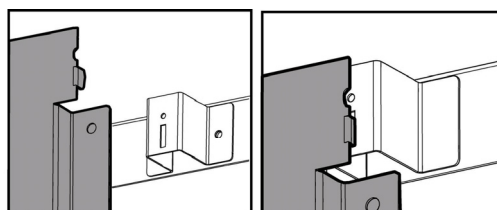
7. Attach the hood to the motor housing using 8 screws:
 - a. First, from above, using 4 screws.
Attention: At this stage, check that cable connection between the hood and the motor housing is not.
 - b. Then from the bottom, using 4 screws.



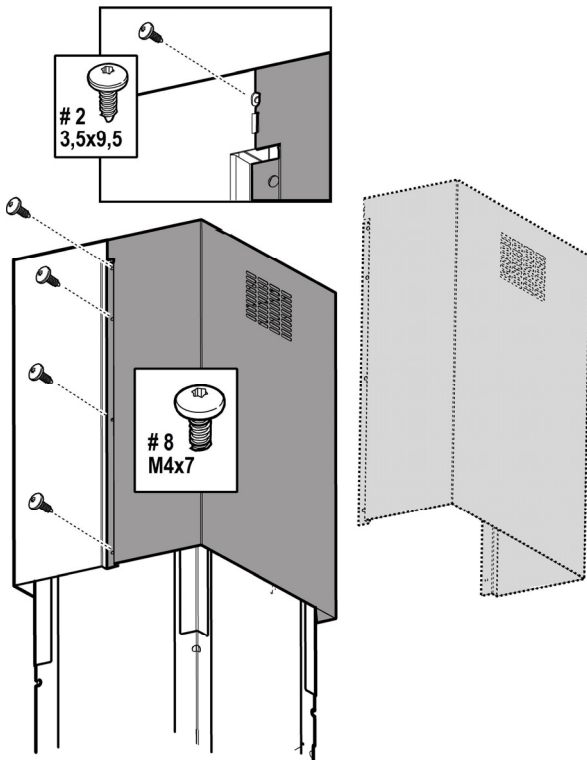
8. Carry out the electrical connection between the hood and the motor housing.
Note: Use cable locking straps to position the cable correctly.



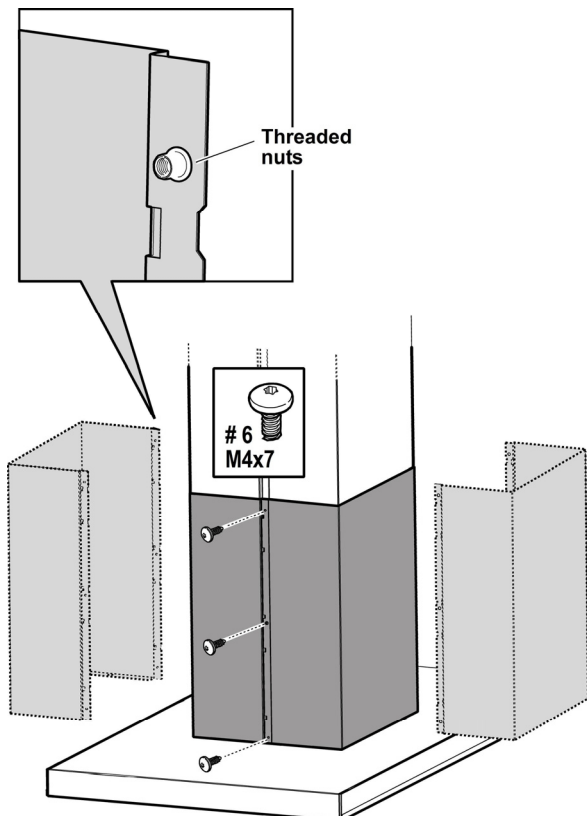
9. Join the 2 upper sections of the duct covering the perforated frame:
 - a. Verify that hooking fins fit into their corresponding side fitting slots.



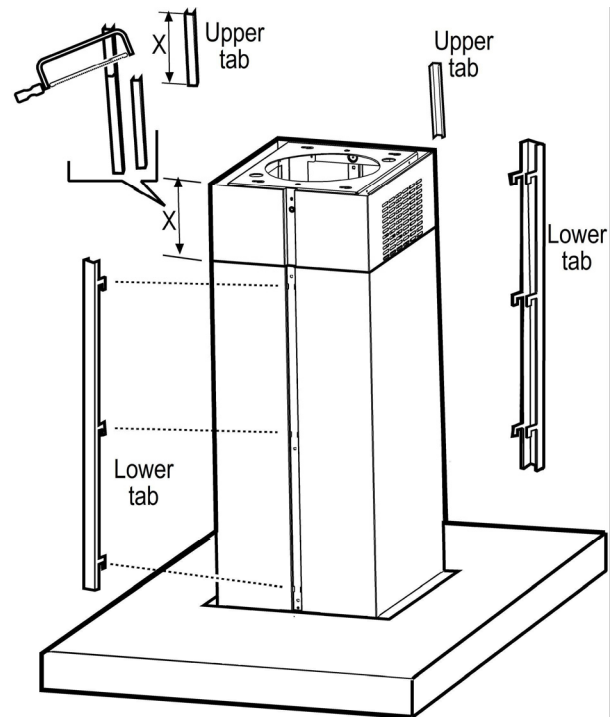
- b. Attach at the top using 2 screws (one per side).
- c. Permanently attach the two sections of the chimney using 8 screws (4 per side).



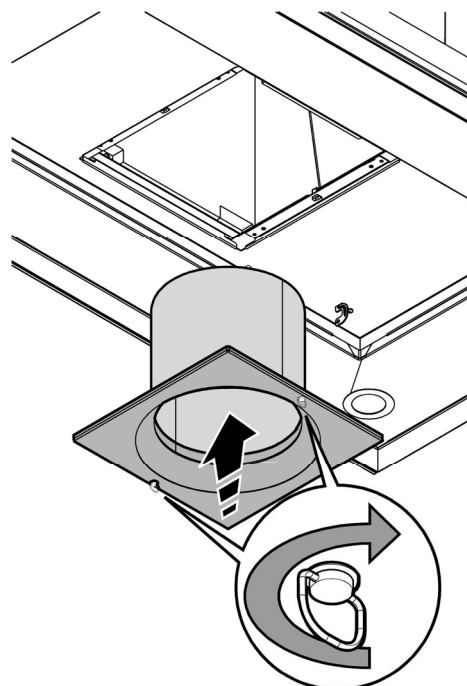
10. Fix the lower chimneys:
- a. Place on top of the hood the lower/rear part of the chimney.
- Note:** the rear section is recognizable by the presence of threaded nuts.
- b. Place on top of the hood the lower/front part checking for a good rear section fitting.
 - c. Secure using six screws (3 for each side).



11. Assemble the lower (narrow) trim strips to the lower vent cover assembly.
Cut the upper (wide) trim strips to length to fit the upper duct cover assembly.
Assemble the upper trim strips to the upper duct cover assembly.



20. Install grease filter assembly.



- 13. Reinstall the panel.
- 14. Check all light bulbs to make sure they are secure in their sockets.
Turn power on in service panel.
Check lights and blower operation per Care & Use section of this manual.

If range hood does not operate:

- Check that the circuit breaker is not tripped or the house fuse blown.
- Disconnect power supply. Check that wiring is correct.

To get the most efficient use from your new range hood, read the “Use and Care Information” section.

Keep your Installation Instructions and Use and Care Guide close to range hood for easy reference.