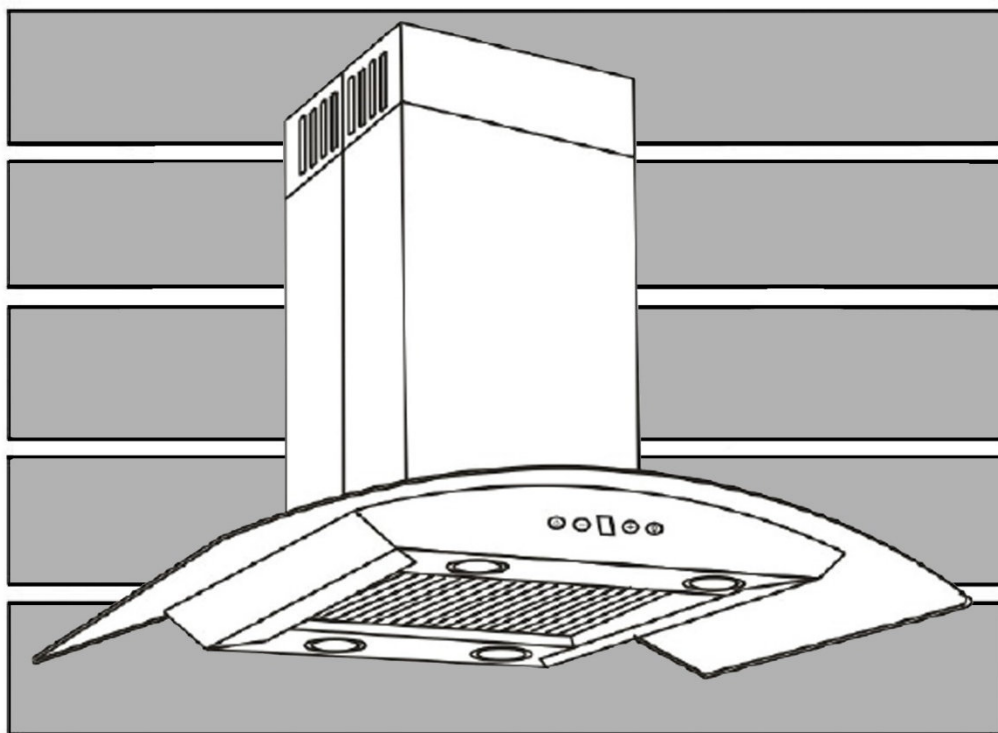


# KOBE® KOBE Range Hoods

## Brillia Series

Model No.: ISX2430SQB-2 (30")  
ISX2436SQB-2 (36")  
ISX2442SQB-2 (42")



INSTALLATION INSTRUCTIONS  
AND OPERATION MANUAL

# IMPORTANT READ THIS FIRST

## READ BEFORE INSTALLATION

1. Carefully check all contents of packages.
2. Thoroughly inspect the unit for any shipping damages, cosmetic damages or defects.
3. Have a certified contractor/electrician test the unit before installation.

## IF THERE IS ANY PROBLEM:

1. **DO NOT INSTALL THE UNIT AND KEEP ALL ORIGINAL PACKAGING MATERIAL.**
2. Have your original invoice as proof of purchase and product serial number ready.
3. Contact your merchant for product replacement due to shipping damages, cosmetic damages or defects.
4. For all other issues, call 1-877-BUY-KOBE (289-5623), or e-mail to [info@koberangehoods.com](mailto:info@koberangehoods.com) .

## NO RETURN, NO REFUND, NO EXCHANGE IF:

1. PRODUCT HAS BEEN INSTALLED
2. KNOCK-OUT HOLES HAVE BEEN PUNCTURED
3. MISSING ORIGINAL PACKAGING MATERIAL AND/OR PARTS

# [ENGLISH]

- READ AND SAVE THESE INSTRUCTIONS -

## CONTENTS

IMPORTANT SAFETY INSTRUCTIONS .....	1
COMPONENTS OF PACKAGE.....	3
INSTALLATION.....	4
OPERATING INSTRUCTIONS.....	8
MAINTENANCE.....	10
SPECIFICATIONS .....	11
MEASUREMENTS & DIAGRAMS.....	12
PARTS LIST.....	13
CIRCUIT DIAGRAM.....	15
TROUBLE SHOOTING.....	16
WARRANTY .....	17
PRODUCT REGISTRATION.....	19

- READ ALL INSTRUCTIONS CAREFULLY BEFORE STARTING -

ALL WIRING MUST BE DONE BY A PROFESSIONAL AND IN ACCORDANCE WITH NATIONAL AND LOCAL ELECTRICAL CODES



## IMPORTANT SAFETY INSTRUCTIONS

- PLEASE READ THIS SECTION CAREFULLY BEFORE INSTALLATION -

**⚠WARNING:** TO REDUCE THE RISK OF FIRE, ELECTRIC SHOCK OR PERSONAL INJURY, OBSERVE THE FOLLOWING:

- 1) Installation and electrical wiring must be done by qualified professionals and in accordance with all applicable codes and standards, including fire-rated construction.
- 2) When cutting or drilling into wall or ceiling, be careful not to damage electrical wiring or other hidden utilities.
- 3) Ducted fans must be vented to the outside.
  - a) Before servicing or cleaning unit, open the light panel and SWITCH POWER OFF AT SERVICE PANEL.
  - b) Clean all grease laden surfaces frequently. To reduce the risk of fire and to disperse air properly, make sure to vent air outside. DO NOT vent exhaust air into wall spaces, attics, crawl spaces or garages.

- NOTE
- This warranty is void without an authorized agent's receipt or if unit is damaged due to misuse, poor installation, improper use, mistreatment, negligence or any other circumstances beyond the control of KOBE RANGE HOODS authorized agents. Any repair carried out without the supervision of KOBE RANGE HOODS authorized agents will automatically void the warranty.
  - KOBE RANGE HOODS will not be held responsible for any damages to personal property or real estate or any bodily injuries whether caused directly or indirectly by the range hood.

**⚠WARNING:** TO REDUCE THE RISK OF PERSONAL INJURY IN THE EVENT OF A RANGE TOP GREASE FIRE:

1. Keep all fan, baffle/spacer/filter/oil tunnel/oil container and grease-laden surfaces clean. Grease should not be allowed to accumulate on fan, baffle/spacer/filter/oil tunnel/oil container.
2. Always turn hood ON when cooking.
3. Use high settings on cooking range ONLY when necessary.
4. Do not leave cooking range unattended when cooking.
5. Always use cookware and utensils appropriate for the type and amount of food prepared.
6. Use this unit only in the manner intended by the manufacturer.
7. Before servicing, switch power off at service panel and lock service panel (if possible) to prevent power from switching on accidentally.
8. Clean ventilating fan frequently.

### **What to Do In The Event Of a Range Top Grease Fire**

- SMOTHER FLAMES with a tight fitting lid, cookie sheet, or metal tray, and then turn off the burner. KEEP FLAMMABLE OR COMBUSTIBLE MATERIAL AWAY FROM FLAMES. If the flames do not go out immediately, EVACUATE THE AREA AND CALL THE FIRE DEPARTMENT or 911.
- NEVER PICK UP A BURNING PAN – You May Get Burned.
- DO NOT USE WATER, including wet dishcloths or towels – a steam blast will result.
- Use an extinguisher ONLY if:
  - a) You have a Class A, B, C extinguisher and know how to operate it.
  - b) The fire is small and contained in the area where it started.
  - c) The fire department has been called.
  - d) You can fight the fire with your back to an exit.

### **What to Do If You Smell Gas**

- Extinguish any open flame.
- Do not try to turn on the lights or any type of appliance.
- Open all doors and windows to disperse the gas. If you still smell gas, call the Gas Company and Fire Department right away.

### **CAUTION**

- 1) For general ventilation use only. Do not use to exhaust hazardous or explosive materials and vapors.
- 2) To reduce the risk of fire, use only metal ductwork. Sufficient air is needed for proper combustion and exhausting of gases through the flue (chimney) to prevent back drafting.
- 3) Follow the heating equipment manufacturer's guideline and safety standards such as those published by the National Fire Protection Association (NFPA), and the American Society for Heating, Refrigeration and Air Conditioning Engineers (ASHRAE), and code authorities.
- 4) Activating any switch on may cause ignition or an explosion.
- 5) Due to the size and weight of this hood, installation by 2 persons is recommended.


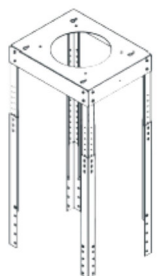
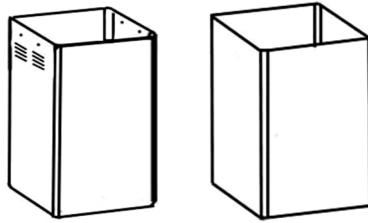

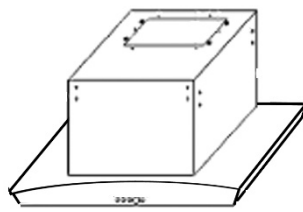
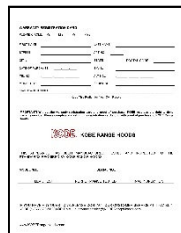







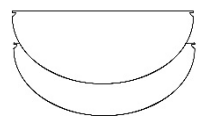


#### **WARNING**



**ELECTRICAL SHOCK HAZARD – Can result in serious injury or death. Disconnect appliance from electric power before servicing. If equipped, the fluorescent light bulb contains small amounts of mercury, which must be recycled or disposed of according to Local, State, and Federal Codes.**

# COMPONENTS OF PACKAGE

(Must keep all material for returns or refunds)

Glass Canopy Box (Box 1 of 3)	Range Hood Box (Box 2 of 3)
<p>{A} Glass Canopy</p> 	<p>{B} KOBE Range Hood                  {C} Warranty Registration Card                  {D} Quick Reference Guide                  {E} Baffle Filter (2 pcs)                  {F} Oil Tunnel                  {G} Screw Package                  {H} Flapper (2 pcs)</p>
<p><b>Duct Cover Box (Box 3 of 3)</b></p> <p>{I} Telescopic Stack                  {J} Adjustable Duct Cover                  {K} Aluminum Pipe</p> <p>{I}</p>  <p>{J}</p>  <p>{K}</p> 	<p>{B}</p>  <p>{C}</p>  <p>{D}</p>  <p>{E}</p>  <p>{F}</p>  <p>{G}</p> <p>Hexagonal Screws QTY: 4PCS</p>  <p>Round Screw Washer QTY: 16PCS</p>  <p>Conical Screw Washer QTY: 2PCS</p>  <p>4mm x 8mm Screws QTY: 18PCS</p>  <p>{H}</p>  <p>Screws for glass canopy QTY: 4PCS</p>  <p>Round Washer for glass canopy QTY: 4PCS</p> 

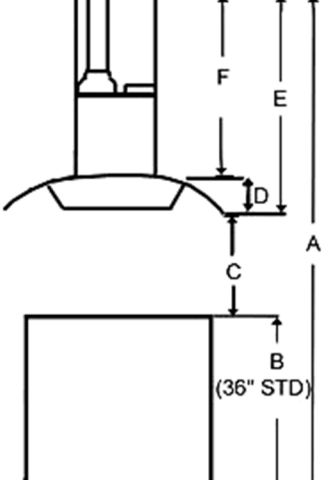
◆ FOR MORE INFORMATION, PLEASE VISIT OUR WEBSITE [www.koberangehoods.com](http://www.koberangehoods.com) OR CONTACT KOBE RANGE HOODS AT (626) 775-8880.

## INSTALLATION

PLEASE READ ENTIRE INSTRUCTIONS BEFORE PROCEEDING

### Calculation before Installation

To calculate installation, please refer to TABLE 1. (All calculation in inches.)

<b>TABLE 1</b> A = Height of Floor to Ceiling B = Height of Floor to Counter Top (Standard: 36") <b>C = Preferred Height of Counter Top to Hood Bottom (Recommended 30" to 36")</b> D = Height of Hood E = Height of the Hood Installation [A - (B+C)] F = Height of Duct Cover [E - D]	
--	--

### **SAFETY WARNING**

**HOOD MAY HAVE VERY SHARP EDGES; PLEASE WEAR PROTECTIVE GLOVES IF REMOVING ANY PARTS FOR INSTALLING, CLEANING OR SERVICING.**

**NOTE: BE CAREFUL WHEN USING ELECTRICAL SCREWDRIVER, DAMAGE TO THE HOOD MAY OCCUR.**

## Preparation before Installation

NOTE: TO AVOID DAMAGE TO YOUR HOOD, PREVENT DEBRIS FROM ENTERING THE VENT OPENING.

- Decide the location of the venting pipe from the hood to the outside (Figure 1).
- A straight, short vent run will allow the hood to perform more efficiently.
- Try to avoid as many transitions, elbows, and long runs as possible. Transitions, elbows and/or long runs may reduce the performance of the hood.
- Temporarily wire the hood to test for proper operation before installing.
- **Important: Peel protective film off the hood and duct covers, if any.**
- Use duct tape to seal the joints between pipe sections.

## Hood Installation

**⚠ CAUTION: USE HAND TOOLS ONLY. DO NOT OVER TIGHTEN SCREWS. IT MAY CAUSE DAMAGE TO THE HOOD.**

**⚠ CAUTION: If moving the cooking range is necessary to install the hood, turn off the power in an electric range at the main electrical box. SHUT OFF THE GAS BEFORE MOVING A GAS RANGE. And use a protective covering to protect cooktop and/or countertop from damage.**

1. Mark centerlines of cook top or range on ceiling. Use centerlines marked on ceiling to position the range hood as shown in Figure 2.
2. Cut and remove ceiling drywall. Install 2" x 4" cross framing lumber (not provided) between ceiling joists.
3. The framing should be spaced 9-1/2" at the front centerline and 7-3/4" on the sides. Refer to Figure 3.
4. Finish the ceiling surface. Be sure to mark the location of the ceiling joists and cross framing lumber.
5. Cut a 7-1/2" duct opening and approximately a 1" wire access hole. Secure four hood mounting screws (not provided) into the ceiling joint and cross framing lumber, leaving 1/8" away from the cabinet as shown on Figure 4. Make sure screws are driven into the ceiling at the middle of joists and cross framing lumber for maximum support and stability.

Figure 1

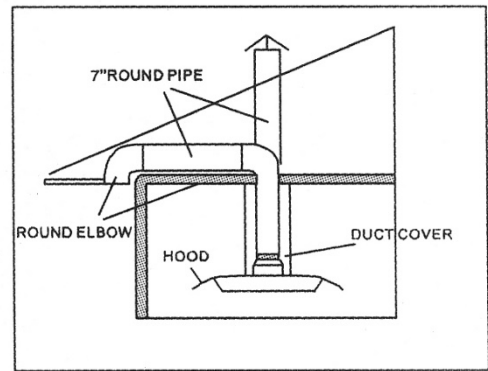


Figure 2

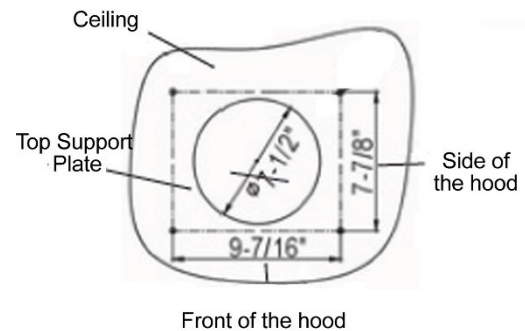


Figure 3

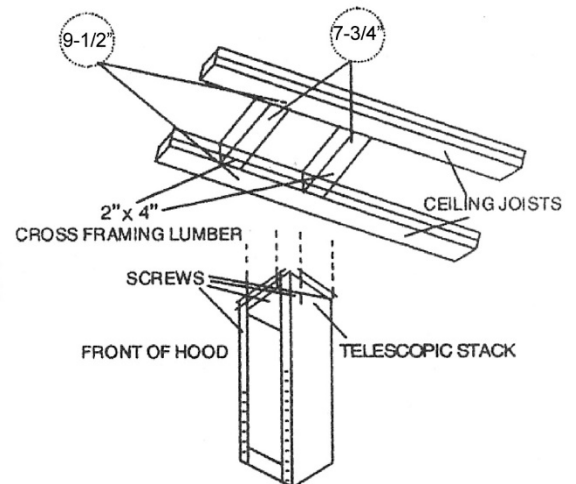
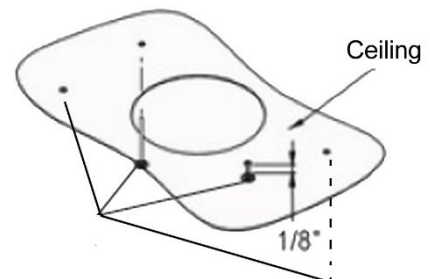


Figure 4





## Telescopic Stack Installation

- Adjust the telescopic stack with sixteen screws and washer (pre-installed). Refer to Figure 5.
- Align the telescopic stack to the mounting screws on the ceiling and lock the telescopic stack in place. Fasten the mounting screws as shown in Figure 6.
- Slide the duct covers up the telescopic stack, and temporary hold the duct covers up.

**⚠ CAUTION: MAKE SURE THE TELESCOPIC STACK IS SECURE BEFORE RELEASING.**

## Hood Installation

- Remove the four screws and washers from top of the hood body. Position and install the glass canopy onto the hood body with the four screws and washer.
- Install the two flappers (provided) onto the exhaust.
- Align the hood with the telescopic stack and secure the hood body onto the telescopic stack with sixteen 4mm x 8mm screw (provided). Refer to Figure 8.

**⚠ CAUTION: MAKE SURE THE HOOD IS SECURE BEFORE RELEASING.**

Figure 5

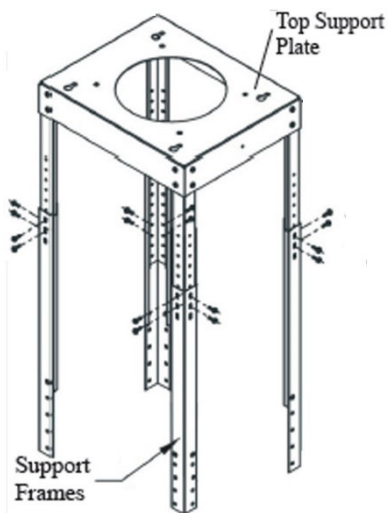


Figure 6

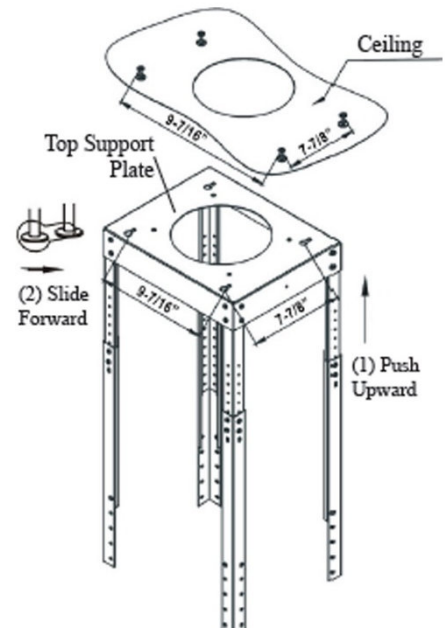


Figure 7

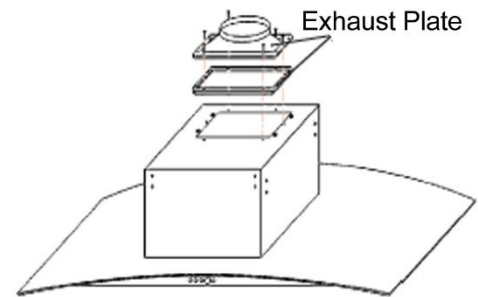
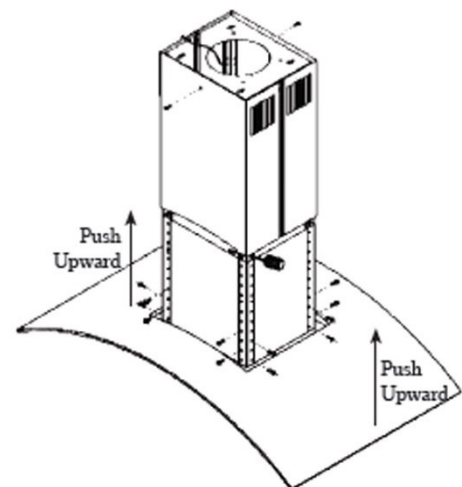


Figure 8



### **Wiring to Power Supply**

**⚠ THIS RANGE HOOD MUST BE PROPERLY GROUNDED. MAKE SURE THIS IS DONE BY QUALIFIED ELECTRICIAN IN ACCORDANCE WITH ALL APPLICABLE NATIONAL AND LOCAL ELECTRICAL CODES. BEFORE CONNECTING WIRES, SWITCH POWER OFF AT SERVICE PANEL AND LOCK SERVICE PANEL TO PREVENT POWER FROM BEING SWITCHED ON ACCIDENTALLY.**

12. Route house wiring into the ceiling as close to the installation location as possible. Allow additional length of wiring to drop down from the ceiling to the electric box.
13. Connect the electrical wires according to color (green to green, white to white, and black to black) and cap with wire connectors. Green wire must be grounded to reduce risk of electric shock.

### **Ductwork Installation**

14. Use 6" round aluminum or steel pipe (not provided) to connect the plastic

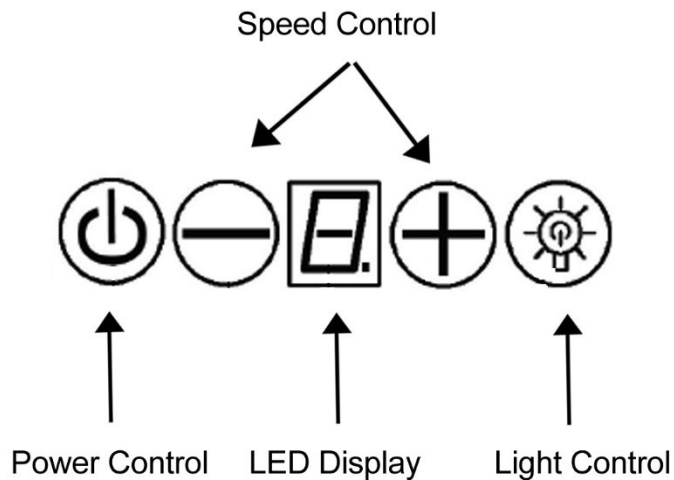
### **Duct Cover Installation**

15. Place the two sections of the inner duct cover on the telescopic stack and clip together. Secure it to the top of the telescopic stack with two 4mm x 8mm screws and conical screw washers (provided).
16. Place the two sections of the outer duct cover on the telescopic stack and clip together. Slide it downward so that it sits properly on the hood.

### **Final Assembly**

17. Install the Baffle Filters.
18. Turn power ON in control panel. Check all lights and fan operation.
19. Make sure to leave this manual for the homeowner.

# OPERATING INSTRUCTIONS

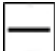
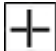


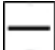


Note: For best results, turn fan on prior to any preparation or cooking and keep fans running while cooking. Adjust speed as needed.

## Power Control

Press Power Control to turn On/Off the range hood.

## Speed Control

To adjust the speed level, press  button to decrease the speed and  to increase the speed. The speed level you use will be the same the next time you turn on the fan.

To set the delay shutoff, please make sure the hood is completely off. Press and hold  for 3 seconds. To adjust the delay shutoff time, press  to decrease minutes and press  to increase minutes.


(Minimum 1 minute to maximum 9 minutes)


\*Shutoff time cannot be adjusted when the hood is on. Please make sure the hood is completely off before adjusting.

To turn fan off immediately, press  button a second time.

## **Light Control**

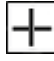
Press  button to turn LED lights ON and OFF.

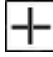
The LED lights have 4 brightness levels, ranging from 1 to 4 (1 being the lowest and 4 being the brightest). Press and hold down  button to increase the brightness by 1 level every 3 seconds. The level you use will be the same the next time you turn on the lights.

If you press and hold down  button to increase the brightness level again, it will start at the lowest level and increase by 1 level every 3 seconds.

Lights are controlled independently from Power Control and delay shutoff. Turning the power off will not turn the lights off.

## **Baffle Filter Indicator**

After hood usage has reached 30 hours, LED Display will show a “C” to indicate that the baffle filters need to be cleaned. The “C” will keep flashing until it is turned off. To turn it off, please clean the baffle filters first then turn off the indicator by pressing and holding  for 3 seconds. The “C” will disappear and a new cycle starts.

The cycle is preset for 30 hours. If the baffle filters are cleaned before the end of the 30 hour cycle, press and hold  for 3 seconds and the timer will be reset.

## MAINTENANCE

For optimal performance, clean the range hood surface and baffles regularly.

### To Clean Hood Surface

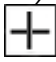
**CAUTION: NEVER USE ABRASIVE CLEANERS, PADS, OR CLOTHS.**

\*\*\* Regular care will help preserve its fine appearance.

1. Use only mild soap or detergent solutions. Dry surfaces using soft cloth.
2. If hood looks splotchy (stainless steel hood), use a stainless steel cleaner to clean the surface of the hood. Avoid getting cleaning solution onto or into the control panel. Follow directions of the stainless steel cleaner. **Caution: Do not leave on too long as this may cause damage to hood finish.** Use soft towel to wipe off the cleaning solution, gently rub off any stubborn spots. Use dry soft towel to dry the hood.
3. DO NOT allow deposits to accumulate or remain on the hood.
4. DO NOT use ordinary steel wool or steel brushes. Small bits of steel may adhere to the surface and cause rusting.
5. DO NOT allow salt solutions, disinfectants, bleaches, or cleaning compounds to remain in contact with stainless steel for extended periods. Many of these compounds contain chemicals, which may be harmful. Rinse with water after exposure and wipe dry with a clean lint free cloth.

### For Baffle Filter models only: to Clean Baffle Filter/Oil Tunnel

**CAUTION: DRAIN OIL FROM BAFFLE FILTERS, SPACERS & OIL TUNNEL REGULARLY TO PREVENT OVERFLOW.**

1. Remove all the baffle filters, spacers and oil tunnel.
2. Using a sponge, wash with warm soapy water. Dry completely before returning into place.  
**CAUTION: SHARP EDGES**  
*(Note: Baffle Filters are top rack dishwasher safe.)*
3. Once the baffle filter is cleaned, press and hold  button for 3 seconds to reset the timer.

## SPECIFICATIONS

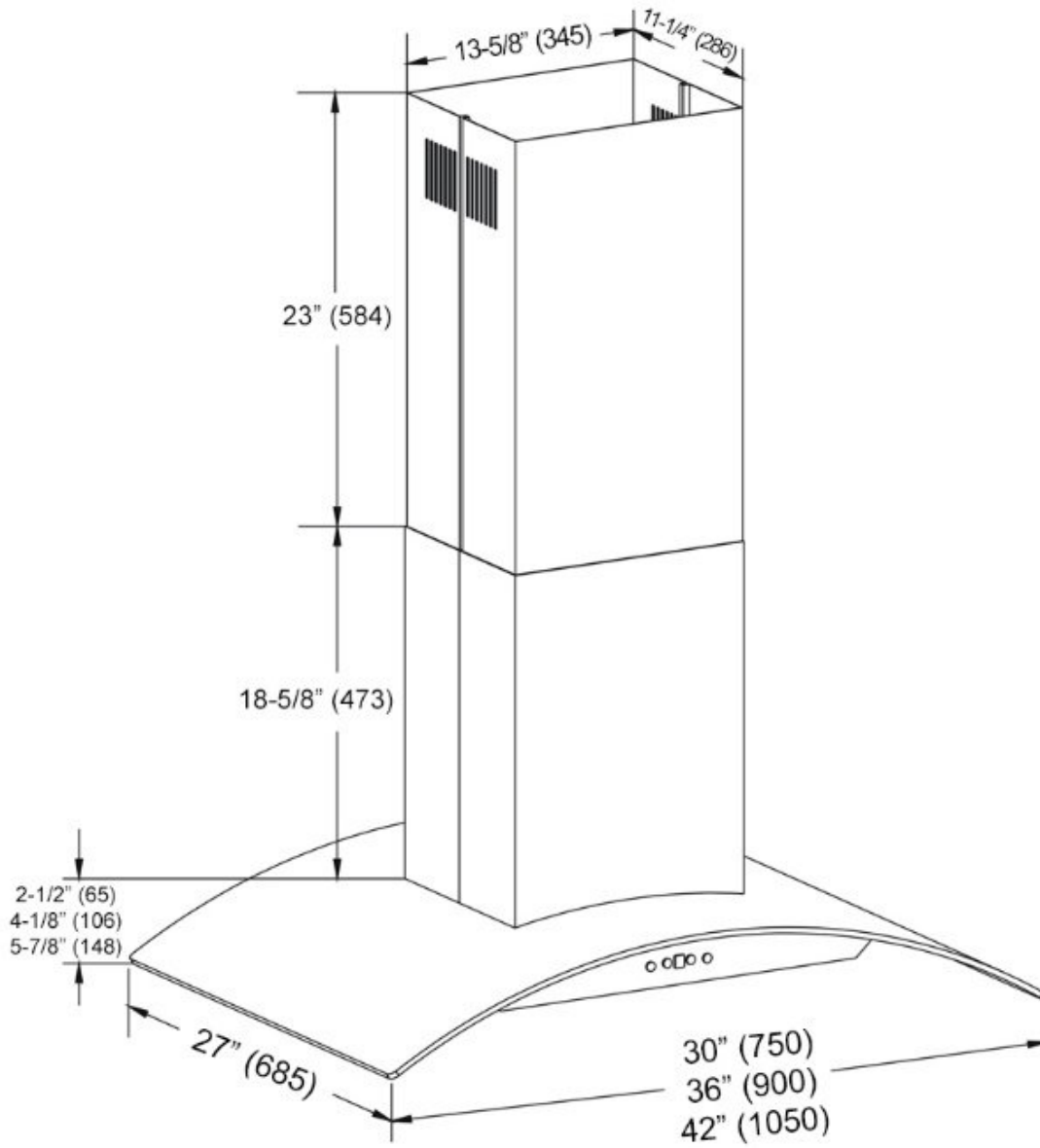
<b>MODEL / SIZE</b>	ISX2430SQB-2 (30") ISX2436SQB-2 (36") ISX2442SQB-2 (42")						
<b>COLOR</b>	20-Gauge Commercial Grade Stainless Steel						
<b>CONSUMPTION / AMPERE</b>	180W / 1.5A						
<b>NUMBER OF BLOWER</b>	1						
<b>DESIGN</b>	Seamless / Satin Finish						
<b>BLOWER TYPE</b>	Single Horizontal Squirrel Cage						
<b>EXHAUST</b>	Top – 6" Round						
<b>CONTROLS</b>	Electronic Control (4 Buttons) with LED Display – Delay Shutoff						
<b>LIGHTS</b>	3-Watt LED light x 4						
<b>WEIGHT (lbs)</b>			<u>Net (lbs)</u>		<u>Gross (lbs)</u>		
	ISX24SQB-2 (hood body)		34.4		42.1		
	ISX24-30G (glass canopy)		18.1		23.0		
	ISX24-36G (glass canopy)		23.3		30.4		
	ISX24-42G (glass canopy)		27.9		36.3		
	ISX24DC-2 (duct cover)		31.0		34.3		
<b>SPEED</b>	QuietMode™	2	3	4	5	6	
<b>Air Capacity (cfm)</b>		310	360	410	480	540	600
<b>Sone* (dB)</b>		2.0	3.0	3.5	4.0	4.5	5.0

\*One sone is equivalent to the sound of a refrigerator at 40 decibels.

\*\*Specifications subject to change without notice.

## MEASUREMENTS & DIAGRAMS

\*\*\*All inch measurements are converted from millimeters. Inch measurements are estimated.  
\*\*\*All measurements in ( ) are millimeters.



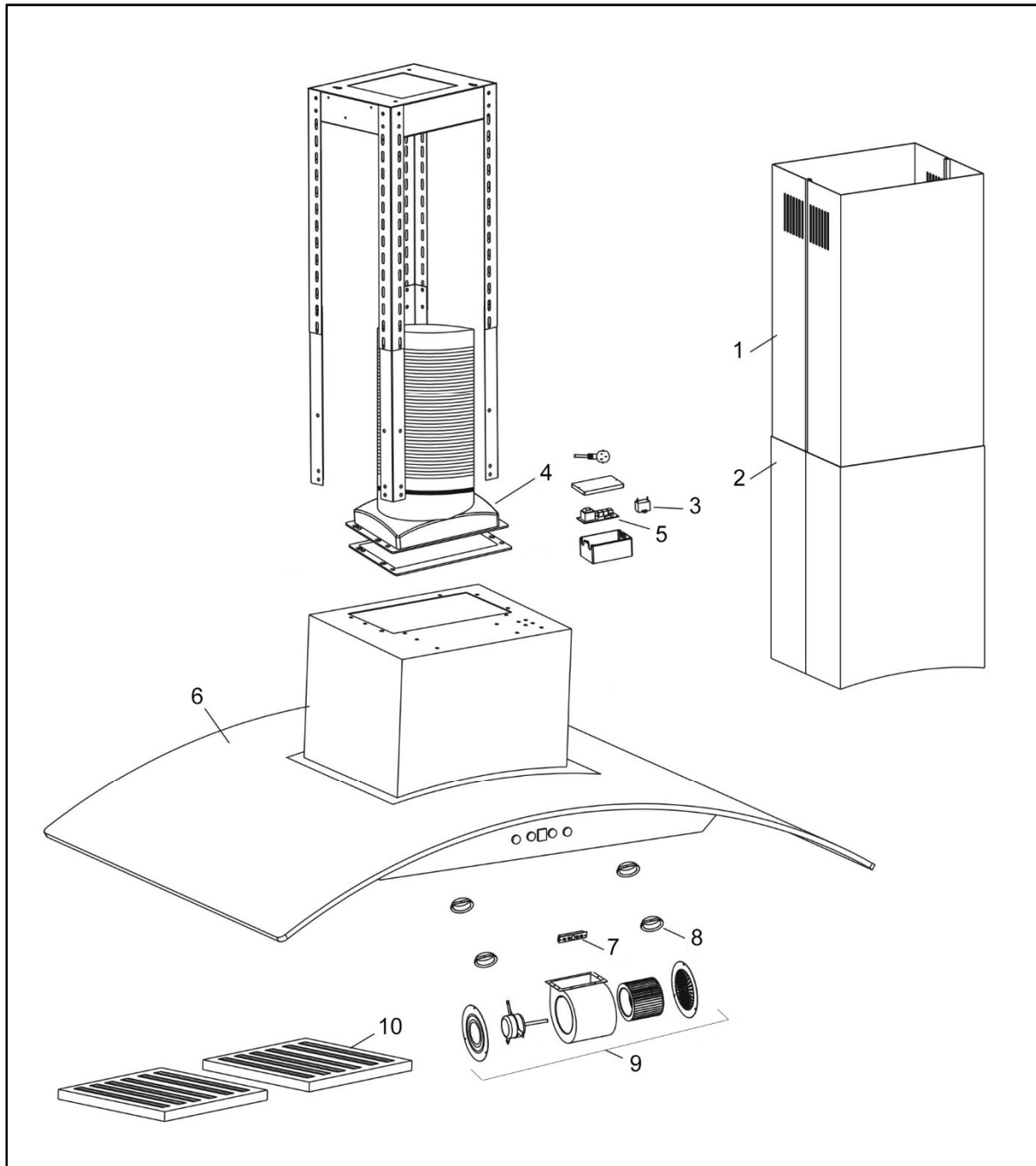
## PARTS LIST

MODEL NO.: ISX2430SQB-2 (30")  
ISX2436SQB-2 (36")  
ISX2442SQB-2 (42")

NO.	DESCRIPTION	MODEL	PART NO.
1	Inner Duct Cover		ISX24-0001
2	Outer Duct Cover		ISX24-0002
3	Capacitor		ISX24-0003
4	Exhaust Plate		ISX24-0004
5	Processor Board		ISX24-0005
6	Glass Canopy	ISX2430SQB-2	ISX24-3006
		ISX2436SQB-2	ISX24-3606
		ISX2442SQB-2	ISX24-4206
7	Control Unit		ISX24-0007
8	LED Lights		ISX24-0008
9	Blower		ISX24-0009
10	Baffle Filter (2pcs)		ISX24-0010

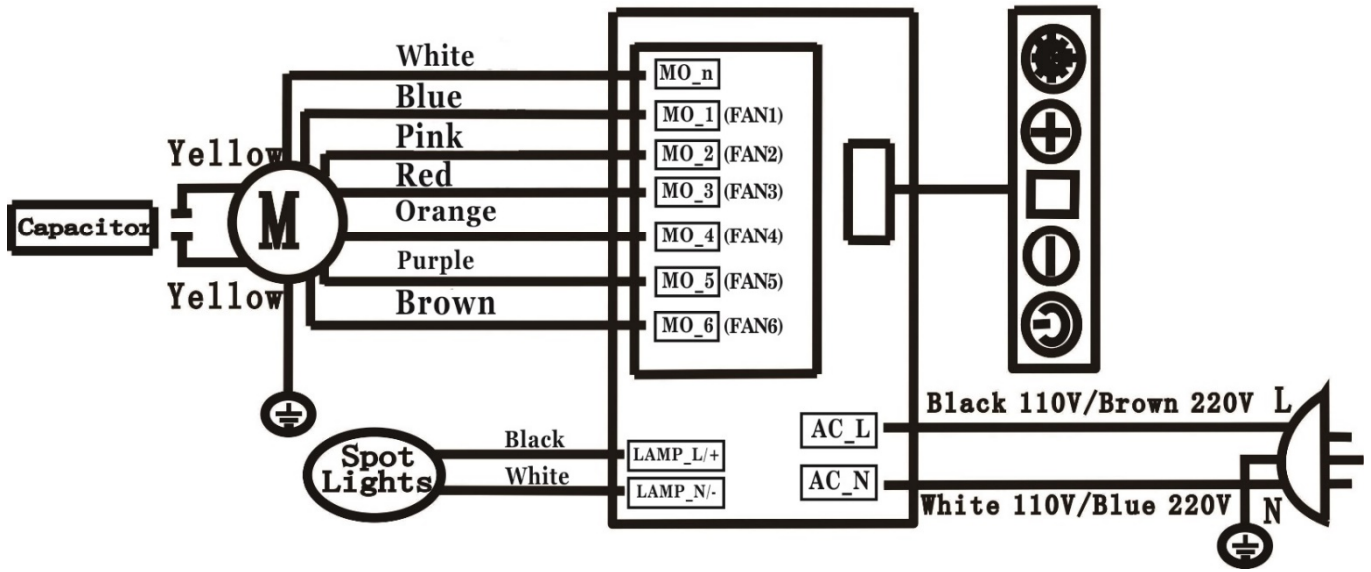


MODEL NO.: ISX2430SQB-2 (30")  
ISX2436SQB-2 (36")  
ISX2442SQB-2 (42")



# CIRCUIT DIAGRAM

MODEL NO.: ISX2430SQB-2 (30")  
ISX2436SQB-2 (36")  
ISX2442SQB-2 (42")



## TROUBLE SHOOTING

Issue	Possible Cause	Solution
After Installation, both motors and lights are not working.	The power is not on.	Make sure the circuit breaker and the unit's power is ON. Use a voltage meter to check the power supply.
	The wire connection is not secure.	Check and tighten wire connection.
	The control unit is defective.	Replace the control unit.
Lights are working, but motor(s) is not.	The motor(s) is defective.	Replace the motor.
	The capacitor(s) is defective.	Replace capacitor(s).
	The control unit is defective.	Replace the control unit.
The range hood is vibrating.	The blower system is not secure.	Tighten the turbine impeller/squirrel cage and air chamber.
	The turbine impeller/squirrel cage is not balanced.	Replace the turbine impeller/squirrel cage.
	Hood is not secured in place.	Check the installation of hood, tighten the mounting bracket.
The motor is working, but the lights are not working.	LED light fixture(s) is defective.	Replace LED light fixture(s)
	The light wiring(s) is loose.	Check wire continuity from processor board to light transformer to LED light fixture(s).
	The control unit or LED light driver is defective.	Replace the control unit or LED light driver.
The range hood is not venting out correctly.	The range hood is installed outside of the manufacture recommended clearance.	Adjust the clearance between the range hoods and cook top to 26" to 30". For Island range hood, the clearance between the range hoods and cook top is 30" to 36".
	There is no make-up air inside the house.	Open the window to enhance the performance of the range hood by creating a sufficient make-up air.
	Obstacle blocking the pipe work.	Remove all obstacles from the duct work.
	The pipe size is smaller than the suggested pipe size.	Change the ducting according to the manufacture suggestion.
Cold air is coming into the home.	The pipe connection is not properly sealed.	Check the pipe installation.
	The damper is not properly installed or is missing from the installation.	Check the damper installation.
	The damper is not installed.	Installing the damper will help eliminate air backflow.

## WARRANTY

### WARRANTY CERTIFICATE

**In order to obtain warranty service, you must provide proof of original purchase from a KOBE authorized Dealer. Please keep a copy of your original invoice as proof of purchase.**

#### **ONE-YEAR LIMITED LABOR WARRANTY ON KOBE BRILLIA SERIES:**

For one year from the date of your original invoice from a KOBE authorized dealer, we will repair any parts or components free of charge that failed due to manufacturing defects. KOBE reserves the right to replace, rather than repair the product free of charge at our sole discretion.

It is your sole responsibility to ensure the product is readily accessible for the service technician to perform repairs. **The service technician will not, under any circumstance, remove, alter or modify any fixture built around and/or connected to the product to gain access to perform repairs.**

#### **TWO-YEAR LIMITED PARTS WARRANTY ON KOBE BRILLIA SERIES:**

For two years from the date of your original invoice from a KOBE authorized dealer, we will provide non-consumable replacement parts or components free of charge that failed due to manufacturing defects. Consumable parts such as lights bulbs, filters, fuses, and oil cups are not covered by this warranty.

#### **WHAT IS COVERED:**

This warranty is valid in the United States and Canada. It is non-transferable and applies only to the original purchaser and does not extend to subsequent owner of this product. In Hawaii, Alaska and Canada, this warranty is limited. There may be additional shipping charges for parts and service technician travel costs in remote areas or locations 30 miles outside of KOBE authorized service area.

#### **WHAT IS NOT COVERED:**

1. Normal wear and tear, regular service and maintenance required for the product.
2. Consumable parts such as light bulbs, filters, fuses, and oil cups.
3. Chips, scratches or dents due to abuse or misuse of the product, use of corrosive and abrasive cleaning products.
4. Damages caused by accident, fire, flood and other Acts of God.
5. Services in remote areas or locations 30 miles outside of KOBE authorized service area.
6. Labor cost incurred in connection with the removal of range hood, and reinstallation of replacement range hood, nor does it cover any other contingent expenses.
7. Scratches inside the hood, back of the baffle filter, and inside the duct cover.

#### **THIS WARRANTY WILL BE VOIDED WHEN:**

1. Improper installation and failure to follow installation instructions.
2. Any repair, alteration, modification not authorized by KOBE.
3. Duct alteration, modification and connection.
4. Incorrect electric current, voltage or wiring.
5. Improper usage of the product such as commercially, outdoor or other usage other than its intended purpose which is residential indoor usage only.
6. Product is purchased from an unauthorized KOBE dealer.

7. Product is damaged due to negligence, misuse, abuse, accident.

If we determine that the warranty exclusions listed above applies or if you fail to provide all necessary documentation for warranty service, you will be responsible for all expenses associated with the requested service, including parts, labor, shipping, travelling, and any other expense related to the service request.

**TO REQUEST WARRANTY SERVICE, PLEASE CONTACT KOBE RANGE HOODS SERVICE CENTER:**

**From the 48 contiguous states:**

**Toll Free: 1-877-BUY-KOBE (289-5623)**

**E-Mail: [customer.service@koberangehoods.com](mailto:customer.service@koberangehoods.com)**

**From Alaska, Hawaii, and Canada:**

**TEL: 1-626-775-8880**

**E-Mail: [customer.service@koberangehoods.com](mailto:customer.service@koberangehoods.com)**

## WARRANTY INFORMATION FORM

Fill in the blanks and keep this paper with the **original invoice** in a safe place for future service purpose.

1. Date of purchase : \_\_\_\_\_

2. Model No. : \_\_\_\_\_

3. Serial No. : \_\_\_\_\_

**For warranty service or spare parts purchase contact:**

KOBE Service Center (USA ONLY)

Toll Free: 1-877-BUY-KOBE (289-5623)

Email: [customer.service@koberangehoods.com](mailto:customer.service@koberangehoods.com)

**For service in Canada and to report a problem, please contact:**

Tel: 1-626-775-8880

Email: [customer.service@koberangehoods.com](mailto:customer.service@koberangehoods.com)

Your notes:

# KOBE®

KOBE Range Hoods  
11775 Clark Street  
Arcadia, CA 91006 USA

[www.koberangehoods.com](http://www.koberangehoods.com)

This KOBE hood is made for use in the USA and CANADA only. We do not recommend using this hood overseas as the power supply may not be compatible and may violate the electrical code of that country. **Using a KOBE hood overseas is at your own risk and will void your warranty.**

Cette hotte KOBE est fabriquée pour usage aux États-Unis et au Canada seulement. Il n'est pas recommandé d'utiliser cette hotte à l'étranger puisque l'alimentation électrique pourrait ne pas être compatible et enfreindre le code de l'électricité de ce pays. **L'usage de la hotte KOBE à l'étranger est à votre propre risque et la garantie sera annulée.**

Esta campana de extracción KOBE ha sido fabricada para ser utilizada únicamente en EE.UU. y CANADÁ. No recomendamos la utilización de esta campana en el extranjero debido a que la fuente de energía podría no ser compatible y podría violar el código eléctrico de dicho país. **Utilizar una campana KOBE en el extranjero será a su propio riesgo y anulará la garantía.**

VER. 170809

Information subject to change without notice.