



**READ AND SAVE THESE INSTRUCTIONS  
LISEZ CES INSTRUCTIONS ET CONSERVEZ-LES  
LEA Y GUARDE ESTAS INSTRUCCIONES**

**THIS MANUAL IS FOR USE ONLY IN USA AND CANADA  
CE MANUEL EST UNIQUEMENT VALABLE AUX USA ET AU CANADA  
ESTE MANUAL ES PARA USO EXCLUSIVO EN EE.UU. Y CANADÁ**

**EHK636SS - EHK613SS - EHK624SS  
EHK636BL - EHK636WH - EHK648SS**

# READ AND SAVE THESE INSTRUCTIONS

## APPROVED FOR RESIDENTIAL APPLIANCES FOR RESIDENTIAL USE ONLY READ AND SAVE THESE INSTRUCTIONS

PLEASE READ ENTIRE INSTRUCTIONS BEFORE PROCEEDING.

INSTALLATION MUST COMPLY WITH ALL LOCAL CODES.

**IMPORTANT:** Save these Instructions for the Local Electrical Inspector's use.

**INSTALLER:** Please leave these Instructions with this unit for the owner.

**OWNER:** Please retain these instructions for future reference.

**Safety Warning:** Turn off power circuit at service panel and lock out panel, before wiring this appliance.

**Requirement:** 120V, 60 Hz, 15 or 20 A Branch Circuit

**Removing the packaging**

**CAUTION!**

Remove carton carefully, Wear gloves to protect against sharp edges.

**WARNING!**

Remove the protective film covering the product before putting into operation.



**Range Hood** EHK636SS, EHK613SS, EHK624SS, EHK636BL, EHK636WH, EHK648SS

**Rated Voltage:** 120 V~

**Frequency:** 60 Hz

**Power consumption:** 460 W

**Current consumption:** 3,8 A

**Number:** 1 piece.

**Made in Italy**

**Manufactured by:** Elica SPA

**Imported by :** ELICAMEX S.A. de C.V.

**Address:** Av. La Noria No. 102 int. S/N, Col. Parque Industrial Querétaro

Del. Santiago de Querétaro, C.P. 76220 Querétaro, R.F.C. EII060102RK8

**Note:** The parts marked with the symbol "(\*)" are optional accessories supplied only with some models or otherwise not supplied, but available for purchase.



### Important safety Notice

**CAUTION**

**FOR GENERAL VENTILATING USE ONLY. DO NOT USE TO EXHAUST HAZARDOUS OR EXPLOSIVE MATERIALS OR VAPOURS.**

### WARNING

**TO REDUCE THE RISK OF FIRE, ELECTRIC SHOCK, OR INJURY TO PERSONS, OBSERVE THE FOLLOWING:**

- A. Use this unit only in the manner intended by the manufacturer. If you have questions, contact the manufacturer.
- B. Before servicing or cleaning the unit, switch power off at service panel and lock service panel disconnecting means to prevent power from being switched on accidentally. When the service disconnecting means cannot be locked, securely fasten a prominent warning device, such as a tag, to the service panel.

### WARNING

**TO REDUCE THE RISK OF FIRE, ELECTRIC SHOCK, OR INJURY TO PERSONS, OBSERVE THE FOLLOWING:**

- A. Installation Work and Electrical Wiring Must Be Done By Qualified Person(s) In Accordance With All Applicable Codes & Standards, Including Fire-rated Construction.
- B. Sufficient air is needed for proper combustion and exhausting of gases through the flue (Chimney) of fuel burning equipment to prevent back-drafting. Follow the heating equipment manufacturers guideline and safety standards such as those published by the National Fire Protection Association (NFPA), the American Society for Heating, Refrigeration and Air Conditioning Engineers (ASHRAE), and the local code authorities.
- C. When cutting or drilling into wall or ceiling, do not damage electrical wiring and other hidden utilities.
- D. Ducted systems must always be vented to the outdoors.

### CAUTION

**To reduce risk of fire and to properly exhaust air, be sure to duct air outside - do not vent exhaust air into spaces within walls, ceilings, attics, crawl spaces, or garages.**

**WARNING****TO REDUCE THE RISK OF FIRE, USE ONLY METAL DUCT WORK.**

Install this hood in accordance with all requirements specified.

**WARNING****To Reduce The Risk Of Fire Or Electric Shock, Do Not Use This Hood With Any External Solid State Speed Control Device.****WARNING****TO REDUCE THE RISK OF A RANGE TOP GREASE FIRE.**

- a) Never leave surface units unattended at high settings. Boilovers cause smoking and greasy spillovers that may ignite. Heat oils slowly on low or medium settings.
- b) Always turn hood ON when cooking at high heat or when flambeing food (I.e. Crepes Suzette, Cherries Jubilee, Peppercorn Beef Flambe').
- c) Clean ventilating fans frequently. Grease should not be allowed to accumulate on fan or filter.
- d) Use proper pan size. Always use cookware appropriate for the size of the surface element.

**WARNING****TO REDUCE THE RISK OF INJURY TO PERSONS, IN THE EVENT OF A RANGE TOP GREASE FIRE, OBSERVE THE FOLLOWING<sup>a</sup>:**

- a) SMOTHER FLAMES with a close-fitting lid, cookie sheet, or other metal tray, then turn off the gas burner or the electric element. BE CAREFUL TO PREVENT BURNS. If the flames do not go out immediately, EVACUATE AND CALL THE FIRE DEPARTMENT.
- b) NEVER PICK UP A FLAMING PAN - you may be burned.
- c) DO NOT USE WATER, including wet dishcloths or towels - a violent steam explosion will result.
- d) Use an extinguisher **ONLY** if:
  - 1) You know you have a class ABC extinguisher, and you already know how to operate it.
  - 2) The fire is small and contained in the area where it started.
  - 3) The fire department is being called.
  - 4) You can fight the fire with your back to an exit.

<sup>a</sup>Based on "Kitchen Firesafety Tips" published by NFPA.

**OPERATION**

- a. Always leave safety grills and filters in place. Without these components, operating blowers could catch onto hair, fingers and loose clothing.

The manufacturer declines all responsibility in the event of failure to observe the instructions given here for installation, maintenance and suitable use of the product. The manufacturer further declines all responsibility for injury due to negligence and the warranty of the unit automatically expires due to improper maintenance.

- This device is not intended for use by persons (including children) whose physical, sensory or mental abilities are different or reduced, or who lack experience or knowledge unless such persons receive supervision or training for the operation of the device by a person responsible for your safety.
- Children should be supervised to ensure they do not use the devices as a toy.
- Do not flame food under the kitchen hood.
- There must be adequate ventilation in the room, when the range hood is used at the same time as appliances that consume gas or other fuels. (DOES NOT APPLY FOR RANGEHOODS THAT ARE ONLY RECYCLING MODE).
- There is a risk of fire, if the cleaning is not carried out in accordance with the instructions.
- The discharge air must not be sent through a duct that is used to evacuate fumes from appliances that consume gas or other fuels. (DOES NOT APPLY FOR RANGEHOODS THAT ARE ONLY RECYCLING MODE).
- Must be complied with regulations relate to the evaluation of the air discharge.
- In the event that your power cord is damaged in part or in full, do not try to repair it by contacting the service center marked on your warranty or by a specialist technician for replacement.

## Electrical & Installation requirements

### Electrical requirements

#### IMPORTANT

Observe all local codes and ordinances.

It is the customer's responsibility:

To contact a qualified electrical installer.

To assure that the electrical installation is adequate and in conformance with National Electrical Code, ANSI/NFPA 70 — latest edition\*, or CSA Standards C22.1-94, Canadian Electrical Code, Part 1 and C22.2 No.0-M91 - latest edition\*\* and all local codes and ordinances.

If codes permit and a separate ground wire is used, it is recommended that a qualified electrician determine that the ground path is adequate.

#### GROUNDING INSTRUCTIONS

This appliance must be grounded. In the event of an electrical short circuit, grounding reduces the risk of electric shock by providing an escape wire for the electric current. This appliance is equipped with a cord having a grounding wire with a grounding plug. The plug must be plugged into an outlet that is properly installed and grounded.

**WARNING** – Improper grounding can result in a risk of electric shock.

Consult a qualified electrician if the grounding instructions are not completely understood, or if doubt exists as to whether the appliance is properly grounded.

Do not use an extension cord. If the power supply cord is too short, have a qualified electrician install an outlet near the appliance.

Do not ground to a gas pipe.  
Check with a qualified electrician if you are not sure range hood is properly grounded.  
Do not have a fuse in the neutral or ground circuit.

Do not operate any fan with a damaged cord or plug. Discard fan or return to an authorized service facility for examination and/or repair.

Do not run cord under carpeting.  
Do not cover cord with throw rugs, runners, or similar coverings. Do not route cord under furniture or appliances.  
Arrange cord away from traffic area and where it will not be tripped over.

#### IMPORTANT

Save Installation Instructions for electrical inspector's use.

The range hood should be connected directly to the fused disconnect (Or circuit breaker).

Wire sizes must conform to the requirements of the National Electrical Code ANSI/NFPA 70 — latest edition\*, or CSA Standards C22.1-94, Canadian Electrical Code Part 1 and C22.2 No. 0-M91 - latest edition\*\* and all local codes and ordinances.

Copies of the standards listed may be obtained from:

\* National Fire Protection Association Batterymarch Park Quincy, Massachusetts 02269

\*\* CSA International 8501 East Pleasant Valley Road Cleveland, Ohio 44131-5575



### Before installing the hood

1. For the most efficient air flow exhaust, use a straight run or as few elbows as possible.  
**CAUTION:** Vent unit to outside of building, only.
2. At least two people are necessary for installation. Wear gloves to protect against sharp edges.
3. Fittings material is provided to secure the hood to most types of walls/ceilings, consult a Qualified Installer, check if they perfectly fit with your cabinet/wall.
4. Do not use flex ducting.
5. COLD WEATHER installations should have an additional backdraft damper installed to minimize backward cold air flow and a nonmetallic thermal break to minimize conduction of outside temperatures as part of the ductwork. The damper should be on the cold air side of the thermal break.  
The break should be as close as possible to where the ducting enters the heated portion of the house.
6. Make up air: Local building codes may require the use of Make-Up Air Systems when using Ducted Ventilation Systems greater than specified CFM of air movement. The specified CFM varies from locale to locale. Consult your HVAC professional for specific requirements in your area.

All fastener location must span the studs otherwise proceed as follows:

Cutout drywall along marked lines. Install wood blocking between studs and make sure it is flush with existing stud front. Make sure all mounting screws will anchor to added studs. Replace drywall and refinish.

**When used in recirculation mode, To Reduce the Risk of Fire and Shock use only conversion kit Model: KIT Long Life.**

### Use

The hood is designed to be used either for exhausting or filter version.



#### Extraction version

In this case the fumes are conveyed outside of the building by means of a special pipe connected with the connection ring located on top of the hood.

#### CAUTION!

The exhausting pipe is not supplied and must be purchased apart.

Diameter of the exhausting pipe must be equal to that of the connection ring.

#### CAUTION!

If the hood is supplied with active charcoal filter, then it must be removed.

Connect the hood and discharge holes on the walls with a diameter equivalent to the air outlet (connection flange).

Using the tubes and discharge holes on walls with smaller dimensions will cause a diminution of the suction performance and a drastic increase in noise.

Any responsibility in the matter is therefore declined.

! Use a duct of the minimum indispensable length.

! Use a duct with as few elbows as possible (maximum elbow angle: 90°).

! Avoid drastic changes in the duct cross-section.



#### Filtration version

The aspirated air will be degreased and deodorised before being fed back into the room.

In order to use the hood in this version, you have to install a system of additional filtering based on activated charcoal.

### Installation

**Specialised personnel must carry out both the electrical and the mechanical installation.**

Do not cut a joist or stud unless absolutely necessary. If a joist or stud must be cut, then a supporting frame must be constructed.

Fittings material is provided to secure the hood to most types of walls/ceilings.

However, a qualified technician must verify suitability of the materials in accordance with the type of wall/ceiling.

Before making cutouts, make sure there is proper clearance within the ceiling or wall for exhaust vent.

Hood installation height above cooktop is the users preference. The lower the hood is above the cooktop, the more efficient the capturing of cooking odors, grease and

smoke.

**CAUTION: FOR GAS RANGES INSTALLATION: MOUNT THIS HOOD SO THAT THE BOTTOM EDGE IS AT 30" (76,2 CM) ABOVE THE COOKING SURFACE.**

**FOR ELECTRIC RANGES INSTALLATION: MOUNT THIS HOOD SO THAT THE BOTTOM EDGE IS NOT LESS THAN 30" (76,2 CM) ABOVE THE COOKING SURFACE.**

**HOUSEHOLD USE. PLEASE, READ INSTALLATION MANUAL FOR SPECIFIC APPLICATION.**

**If the instructions for installation for the gas hob specify a greater distance, this must be adhered to.**

**Check your ceiling height and the hood height maximum before you select your hood.**

**Consult last pages of this manual for installation instruction and electrical connection steps.**

## Operation



### ON/OFF light button

Press to turn the cooktop light on or off.



### "BOOST" speed selection key

**1st push:** to activate the intensive suction speed "BOOST", timed **for 7 minutes**

**Note:** after 7 minutes, the hood will return to the previously set suction speed

**2nd push** ("BOOST" activated): to exit the function and return to the speed previously set.

**Note:** the speed key previously set remains lit during BOOST operation.



### Speed selection key 3

Push to activate the **high** speed (suction power)



### Speed selection key 2

Push to activate the **average** speed (suction power)



### Speed selection key 1

Push to enable the **low** speed (suction power)



### Power button

Push to switch on the hood and enable speed selection; if pushed while the motor is running, the latter will stop

**Note:** if no function is activated within 10

seconds, the hood turns off.

## Filter Saturation indicator lights



The hood signals at regular intervals that the filters must be serviced.

Keys  and  lit and flashing very slowly: service the grease filter.

Keys  and  lit and flashing quickly: service the odour filter.

**Note:** The filter saturation warning signal is visible within the first 10 seconds after the hood is switched on.



## Reset filter saturation indicator:



Press and hold the keys  and   
The keys will flash quickly-to confirm that reset has been completed

## Activation of filter saturation indicators



**Note:** this operation must be performed with the hood off.



### - Grease filter

Push and hold down the keys  and  to activate the function  
the keys light up **flashing very slowly**, indicating that the grease filter indicator can be activated

**Note:** Push the keys  and  to activate or deactivate

### - Odour filter

Push and hold down the keys  and  to activate the function  
the keys light up **flashing quickly**, indicating that the odour filter indicator can be activated (normally deactivated)

**Note:** Push the keys  and  to activate or deactivate

## User Servicing and Maintenance Instructions

### Cleaning

Clean using **ONLY** a cloth dampened with neutral liquid detergent. **DO NOT CLEAN WITH TOOLS OR INSTRUMENTS.** Do not use abrasive products. **DO NOT USE ALCOHOL!**

### Grease filter

#### Fig. 19-34

**Traps cooking grease particles.**

This must be cleaned once a month (or when the filter saturation indication system – if envisaged on the model in possession – indicates this necessity) using non aggressive detergents, either by hand or in the dishwasher, which must be set to a low temperature and a short cycle.

When washed in a dishwasher, the grease filter may discolor slightly, but this does not affect its filtering capacity.

To remove the grease filter, pull the spring release handle.

### Charcoal filter (filter version only)

#### Fig. 33

**It absorbs unpleasant odors caused by cooking.**

The charcoal filter can be washed once every two months (or when the filter saturation indication system – if envisaged on the model in possession – indicates this necessity) using hot water and a suitable detergent, or in a dishwasher at 65°C (if the dishwasher is used, select the full cycle function and leave dishes out).

Eliminate excess water without damaging the filter, then put it in the oven for 10 minutes at 100° C to dry completely. Replace the mattress every 3 years and when the cloth is damaged.

### Replacing lamps

#### 1x7 W LED

The hood is equipped with a lighting system based on LED technology.

The LEDs guarantee an optimum lighting, a duration up to 10 times longer than the traditional lamps and allow to save 90% electrical energy.

For replacement, contact the technical service.

## Warranty

# ***ELICA North America* TWO-YEARS LIMITED WARRANTY**

### **TO OBTAIN SERVICE UNDER WARRANTY**

Owner must present proof of original purchase date. Please keep a copy of your dated proof of purchase (sales slip) in order to obtain service under warranty.

### **PARTS AND SERVICE WARRANTY**

For the period of two (2) years from the date of the original purchase, Elica will provide free of charge, non consumable parts or components that failed due to manufacturing defects. During these two (2) years limited warranty, Elica will also provide free of charge, all labor and in-home service to replace any defective parts.

### **WHAT IS NOT COVERED**

- Damage or failure to the product caused by accident or act of God, such as, flood, fire or earthquake.
- Damage or failure caused by modification of the product or use of non-genuine parts.
- Damage or failure to the product caused during delivery, handling or installation.
- Damage or failure to the product caused by operator abuse.
- Damage or failure to the product caused by dwelling fuse replacement or resetting of circuit breakers.
- Damage or failure caused by use of product in a commercial application.
- Service trips to dwelling to provide use or installation guidance.
- Light bulbs, metal or carbon filters and any other consumable part.
- Normal wear of finish.
- Wear to finish due to operator abuse, improper maintenance, use of corrosive or abrasive cleaning products/pads and oven cleaner products.

### **WHO IS COVERED**

This warranty is extended to the original purchaser for products purchased for ordinary residential use in North America (Including the United States, Guam, Puerto Rico, US Virgin Islands & Canada).

This warranty is non-transferable and applies only to the original purchaser and does not extend to subsequent owners of the product. This warranty is made expressly in lieu of all other warranties, expressed or implied, including, but not limited to any implied warranty of merchantability or fitness for a particular purpose and all other obligations on the part of Elica North America, provided, however, that if the disclaimer of implied warranties is ineffective under applicable law, the duration of any implied warranty arising by operation of law shall be limited to two (2) years from the date of original purchase at retail or such longer period as may be required by applicable law.

This warranty does not cover any special, incidental and/or consequential damages, nor loss of profits, suffered by the original purchaser, its customers and/or the users of the Products.

### **WHO TO CONTACT**

To obtain service under Warranty or for any Service Related Question:

- Elica North America Authorized Service - (714) 428-0046
- [elica@servicepower.com](mailto:elica@servicepower.com)

## LISEZ CES INSTRUCTIONS ET CONSERVEZ-LES

**APPROUVÉ POUR LES APPAREILS DE TYPE  
RÉSIDENTIEL  
POUR UNE UTILISATION RÉSIDENIELLE  
SEULEMENT  
LISEZ CES INSTRUCTIONS ET CONSERVEZ-LES**

VEUILLEZ LIRE CES INSTRUCTIONS AU COMPLET  
AVANT DE COMMENCER.  
L'INSTALLATION DE L'APPAREIL DOIT RESPECTER  
TOUS LES CODES EN VIGUEUR.

**IMPORTANT :** Conservez ces instructions afin de pouvoir  
les remettre à l'inspecteur-électricien de votre région.  
**INSTALLATEUR :** Veuillez laisser ces instructions avec  
l'appareil pour le propriétaire.

**PROPRIÉTAIRE :** Veuillez conserver ces instructions pour  
pouvoir vous y référer plus tard.

**Avertissement de sécurité :** Coupez l'alimentation du  
circuit dans le panneau électrique et verrouillez le  
panneau avant de raccorder les fils de cet appareil.

**Exigence :** Circuit de dérivation de 120V, 60 Hz, 15 ou 20  
A.

Enlever l'emballage

**ATTENTION!**

Enlever le carton avec précaution, porter des gants pour  
se protéger des parties coupantes.

**AVERTISSEMENT!**

Enlever le film de protection qui recouvre le produit avant  
de l'utiliser.



Hotte de cuisinière EHK636SS, EHK613SS, EHK624SS,  
EHK636BL, EHK636WH, EHK648SS

**Tension nominale:** 120 V~

**Fréquence:** 60 Hz

**Power:** 460 W

**Current:** 3,8 A

**Quantité:** 1 pièce

**Fabriqué en Italie**

**Produit par:** Elica SPA

**Importé par:** ELICAMEX S.A. de C.V.

**Adresse:** Av. La Noria No. 102 int. S/N, Col.

Parque Industrial Querétaro

Del. Santiago de Querétaro, C.P. 76220 Querétaro,

R.F.C. EII060102RK8

**Remarque :** Les pièces portant le symbole "(\*)" sont des  
accessoires optionnels fournis uniquement avec certains  
modèles ou des pièces non fournies, à acheter.



**Avis de sécurité important**

**ATTENTION**

**UTILISER CET APPAREIL À DES FINS DE VENTILATION  
GÉNÉRALE SEULEMENT. NE PAS UTILISER CET  
APPAREIL POUR ÉVACUER DES MATÉRIAUX OU DES  
VAPEURS DANGEREUX OU EXPLOSIFS.**

**AVERTISSEMENT**

**POUR RÉDUIRE LES RISQUES D'INCENDIE, DE CHOC  
ÉLECTRIQUE ET DE BLESSURE, RESPECTER LES  
DIRECTIVES SUIVANTES :**

**A.** Utiliser cet appareil uniquement aux fins prévues par le  
fabricant. Si vous avez des questions à propos de l'appareil,  
communiquez avec le fabricant.

**B.** Avant de faire l'entretien de l'appareil ou de le nettoyer,  
coupez l'alimentation dans le panneau électrique et  
verrouillez le panneau en bloquant le dispositif  
permettant d'empêcher d'activer l'alimentation  
accidentellement. S'il n'est pas possible de verrouiller  
l'accès au panneau, fixez une étiquette très voyante au  
panneau électrique.

**AVERTISSEMENT**

**POUR RÉDUIRE LES RISQUES D'INCENDIE, DE CHOC  
ÉLECTRIQUE ET DE BLESSURE, RESPECTER LES  
DIRECTIVES SUIVANTES :**

**A.** Une personne qualifiée doit effectuer l'installation et le  
câblage des fils électriques en conformité avec tous les  
codes et toutes les normes, y compris la cote de  
résistance au feu.

**B.** Il est important de prévoir suffisamment d'air pour  
assurer une bonne combustion de l'équipement de  
chauffe et l'évacuation adéquates des gaz par le conduit  
de cheminé afin de prévenir les refoulements d'air.  
Respectez les directives et les normes de sécurité des  
fabricants de l'équipement de chauffage, comme celles  
publiées par la National Fire Protection Association  
(NFPA), la American Society for Heating, Refrigeration  
and Air Conditioning Engineers (ASHRAE) et le code des  
autorités de votre région.

**C.** Au moment de couper ou de percer un mur ou un  
plafond, assurez-vous de ne pas endommager la filerie  
électrique ou tout autre accès à un service public.

**D.** Il faut toujours évacuer à l'extérieur les systèmes à  
conduit.

#### **ATTENTION**

Pour réduire les risques d'incendie et évacuer l'air correctement, assurez-vous que le conduit mène à l'extérieur; il ne faut pas évacuer l'air dans l'espace entre les murs, dans les plafonds, dans les greniers, les vides sanitaires ou les garages.

#### **AVERTISSEMENT**

**POUR RÉDUIRE DES RISQUES D'INCENDIE, UTILISEZ UNIQUEMENT DES CONDUITS EN MÉTAL.**

Installez cette hotte en respectant toutes les exigences mentionnées.

#### **AVERTISSEMENT**

Pour réduire les risques d'incendie et de choc électrique, n'utilisez pas cette hotte avec un contrôleur de vitesse à semi-conducteurs.

#### **AVERTISSEMENT**

**POUR RÉDUIRE LES RISQUES D'INCENDIE DE GRAISSE SUR LES CUISINIÈRES.**

- a) Ne laissez jamais la cuisinière sans surveillance lorsqu'elle est réglée à une haute température. Les débordements par bouillonnement causent de la fumée et des débordements de gras qui peuvent s'enflammer. Faites chauffer l'huile lentement, à une température basse ou moyenne.
- b) Faites toujours fonctionner la hotte lorsque vous utilisez la cuisinière à une haute température ou que vous faites flamber des aliments (P. ex. : crêpes Suzette, cerises jubiléées, bœuf au poivre flambé).
- c) Nettoyez les hélices de ventilation fréquemment. Il ne faut pas que la graisse s'accumule sur les filtres ou les hélices.
- d) Utilisez le bon format de casserole. Utilisez toujours un chaudron de taille approprié à l'élément de la cuisinière.

#### **AVERTISSEMENT**

**POUR ÉVITER DE BLESSER QUELQU'UN LORS D'UN INCENDIE DE GRAISSE SUR LA CUISINIÈRE, SUIVRE LES CONSEILS SUIVANTS<sup>a</sup>**

- a) **ÉTOUFFER LES FLAMMES** avec un couvercle aux dimensions de la tôle de cuisson, une tôle à biscuit ou tout autre plateau métallique, puis couper le gaz ou l'alimentation électrique de la cuisinière. FAIRE ATTENTION A NE PAS SE BRÛLER. Si les flammes ne s'éteignent pas immédiatement, QUITTER LA PIÈCE ET APPELER LES POMPIERS.
- b) **NE JAMAIS PRENDRE EN MAIN UNE CASSEROLE EN FEU**, vous pourriez vous blesser.
- c) **NE PAS UTILISER D'EAU**, y compris les essuies de vaisselle ou les serviettes humides – une violente explosion due à la vapeur formée pourrait survenir.
- d) Utiliser un extincteur **SEULEMENT** si:
  - 1) Vous êtes sûr d'avoir un extincteur de classe ABC que vous savez utiliser.
  - 2) Le feu est petit et confiné à la zone où il s'est formé.
  - 3) Les pompiers ont été appelés.
  - 4) Vous pouvez lutter contre le feu avec une sortie derrière vous.

<sup>a</sup>Basé sur "Kitchen Firesafety Tips" publié par NFPA.

#### **MODE OPÉRATOIRE**

- a. Toujours laisser les grilles de sécurité et les filtres à leur place. Sans la présence de ces derniers, les parties aspirantes pourraient attirer les cheveux, les doigts ou les vêtements.

Le fabricant décline toute responsabilité si les informations détaillées dans ce manuel pour l'installation, l'entretien et l'utilisation adéquate du produit ne sont pas observées. Le fabricant décline en outre toute responsabilité pour d'éventuelles blessures dues à des négligences; en outre, la garantie de l'appareil sera annulée suite à des conditions d'entretien inappropriées. Cet appareil est fabriqué pour un usage interne. Ne pas utiliser cet appareil à l'extérieur.

- Cet appareil n'est pas prévu pour l'utilisation par des personnes (y compris les enfants) avec des capacités physiques, sensorielles ou mentales différentes ou réduites, ou qui manquent d'expérience ou de connaissances, à moins que ces personnes ne soient sous la supervision d'une personne responsable de la sécurité ou qu'elles aient reçu une formation sur le fonctionnement de l'appareil.
- Les enfants doivent être surveillés afin de s'assurer qu'ils n'utilisent pas l'appareil comme un jouet.
- Ne pas faire flamber des aliments en dessous de la hotte.
- Il doit y avoir une aération adéquate dans la pièce, lorsque la hotte est utilisée en même temps que des appareils qui consomment du gaz ou d'autres carburants. (PAS APPLICABLE POUR LES HOTTES QUI SONT EN MODE RECYCLAGE).
- Il y a un risque d'incendie si le nettoyage n'est pas effectué conformément aux instructions.
- L'air aspiré ne doit pas être envoyé dans une conduite qui est utilisée pour évacuer les fumées d'appareils qui consomment du gaz ou d'autres carburants. (PAS APPLICABLE POUR LES HOTTES QUI SONT UNIQUEMENT EN MODE RECYCLAGE).
- Doit être conforme aux règlements relatifs à l'évacuation de l'air.
- Dans le cas où le cordon d'alimentation est en partie ou complètement endommagé, ne pas essayer de le réparer par vous-même mais contacter le service d'assistance indiqué sur la carte de garantie ou un technicien spécialisé pour le remplacement.

## Exigences électriques et exigences d'installation

### Exigences électriques

#### IMPORTANT

Respectez tous les codes et les ordonnances en vigueur.

Le client a la responsabilité de :

Contacter un électricien-installateur.

Vérifier que l'installation électrique est adéquate et conforme avec le Code national de l'électricité, ANSI/NFPA 70 (la plus récente édition\*), ou les normes C22.1-94, Code canadien de l'électricité, Partie 1 et C22.2 No.0-M91 (La plus récente édition\*\*) de la CSA, ainsi que tous les codes et les ordonnances de votre région.

Si le code le permet et que vous utilisez un fil de mise à la terre distinct, il est recommandé de faire vérifier le chemin du fil par un électricien.

#### INSTRUCTIONS POUR LE RACCORDEMENT A LA TERRE

Cet appareil doit être raccordé à la terre. En cas de court-circuit, la mise à la terre diminue le risque de choc électrique en fournissant un fil de sortie pour le courant électrique. Cet appareil est doté d'un câble de terre avec une attache de mise à la terre. La fiche doit être branchée à une prise conforme et bien raccordée à la terre.

**AVERTISSEMENT** – Une mise à la terre non correcte peut entraîner un choc électrique.

Consulter un électricien qualifié si vous ne comprenez pas complètement les instructions de raccordement, ou en cas de doute sur la mise à la terre réelle de l'appareil.

Ne pas utiliser de rallonge. Si le câble d'alimentation est trop court, faire installer une prise à proximité par un électricien qualifié.

Ne pas mettre l'appareil à la terre sur une conduite de gaz. Consultez un électricien qualifié si vous n'êtes pas certain que la hotte est mise à la terre correctement. N'installez pas un fusible dans le circuit neutre ou le circuit de mise à la terre.

Ne jamais faire fonctionner le ventilateur avec un fil ou une fiche endommagée. Jeter le ventilateur ou le rapporter au service après-vente pour l'examiner et/ou le faire réparer.

Ne pas faire passer les fils en-dessous des tapis. Ne pas couvrir les fils avec des tapis, des chemins de couloir, ou des choses similaires. Ne pas faire passer le fil en-dessous de meubles ou d'appareils. Mettre le fil en dehors des zones de passage et où l'on ne peut pas accrocher le fil.

#### IMPORTANT

Conservez ces instructions afin de pouvoir les remettre à l'inspecteur-électricien.

Il faut raccorder la hotte directement à une boîte à fusible ou à un disjoncteur.

Le calibre de fil doit être conforme aux exigences du Code national de l'électricité, ANSI/NFPA 70 (La plus récente édition\*), ou les normes C22.1-94, Code canadien de l'électricité, Partie 1 et C22.2 0-M91 (La plus récente édition\*\*) de la CSA, ainsi que tous les codes et les ordonnances de votre région.

Vous pouvez obtenir un exemplaire des normes indiquées en vous adressant à :

\* La National Fire Protection Association, Batterymarch Park Quincy, Massachusetts, 02269

\*\* La CSA International, 8501 East Pleasant Valley Road, Cleveland, Ohio, 44131-5575

### Avant d'installer la hotte

1. Pour assurer la ventilation la plus efficace possible, installez la conduite en ligne droite ou avec le moins de coudes possibles.  
**ATTENTION :** La sortie de la conduite de ventilation doit donner sur l'extérieur.
2. Deux personnes sont nécessaires pour effectuer l'installation. Porter des gants pour se protéger des bords coupants.
3. La quincaillerie fournie permet de fixer la hotte à la plupart des murs et des plafonds; consultez un installateur qualifié pour vous assurer que la quincaillerie fournie est adaptée à votre type de mur ou d'armoire.
4. N'utilisez pas de conduit flexible.
5. Dans le cas des endroits sujets aux TEMPÉRATURES FROIDES, il faut installer un clapet de contre-tirage supplémentaire afin de minimiser le retour d'air froid et un isolant thermique non métallique afin de minimiser la conduction de la température extérieure dans le conduit. Il faut placer le clapet du côté de l'air froid de l'isolant thermique.  
L'isolant doit être placé le plus près possible de l'endroit où le conduit entre dans la partie chauffée de la maison.
6. Air d'appoint : Le code du bâtiment de votre région peut exiger l'utilisation d'un système d'air d'appoint si vous utilisez un système de ventilation à conduit dont le mouvement d'air dépasse un certain nombre de CFM. Le nombre de pi<sup>3</sup>/min varie d'une région à l'autre.  
Consultez un professionnel de CVC pour connaître les exigences précises de votre région.

Les marques d'ouverture de fixation doivent toutes se trouver entre deux montants, sinon procédez de la façon suivante : Coupez la cloison sèche en suivant les lignes marquées. Installez perpendiculairement entre deux montants une pièce de bois pour qu'elle soit alignée avec les montants existants. Assurez-vous que les vis de fixation s'enfoncent dans ces nouveaux montants. Remplacez la cloison sèche et refaites le fini de la surface.

**Lorsqu'il est utilisé en mode de recirculation, Pour Réduire Les Risques d'Incendie Et De Choc utiliser seulement kits de conversion Modèle: KIT Long Life.**

### Utilisation

La hotte est réalisée de façon qu'elle puisse être utilisée en version aspirante à évacuation extérieure, ou filtrante à recyclage intérieur.



#### Version aspirante

Les vapeurs sont évacuées vers l'extérieur à travers un conduit d'évacuation fixé à la bride de raccord qui se trouve au-dessus de la hotte.



#### ATTENTION!

Le tuyau d'évacuation n'est pas fourni et doit être acheté à part.

Le diamètre du tuyau d'évacuation doit être égal à celui de la bride de raccord.



#### ATTENTION!

Si la hotte est équipée d'un filtre à charbon, ce dernier doit être enlevé.

Relier la hotte aux tubes et trous d'évacuation de la paroi d'un diamètre équivalent à la sortie de l'air (collier de raccord).

L'utilisation de tubes et des trous d'évacuation à paroi avec un diamètre inférieur entraînera une diminution des performances d'aspiration et une nette augmentation du bruit. Nous déclinons toute responsabilité à cet égard.

! Utiliser un tuyau de la longueur strictement nécessaire.

! Les coudes du tuyau doivent être en nombre minime (angle maxi du coude: 90°).

! Éviter les variations excessives de section du tuyau.



#### Version filtrante

L'air d'aspiration sera dégraissé et désodorisé avant d'être renvoyé dans la pièce.

Pour utiliser la hotte dans cette version, vous devez installer un système de filtrage supplémentaire basé sur charbon actif.

### Installation

**L'installation, aussi bien électrique que mécanique doit être effectuée par du personnel qualifié.**

Ne coupez pas une solive ou un montant à moins qu'il soit absolument nécessaire de le faire. Si vous devez couper une solive ou un montant, vous devez construire un cadre de soutien.

La quincaillerie fournie permet de fixer la hotte à la plupart des murs et des plafonds.

Vous devez cependant demander à un technicien qualifié de vérifier la solidité des matériaux selon le type de mur ou de plafond.

Avant de couper, assurez-vous qu'il y a un dégagement suffisant dans le plafond ou le mur pour passer la conduite de sortie.



Vous pouvez déterminer vous-même la hauteur à laquelle vous installez la hotte au dessus de la cuisinière. Plus la hotte est près de la cuisinière, plus elle est efficace à capter les odeurs de cuisson, la graisse et la fumée.

**ATTENTION: POUR L'INSTALLATION DES CUISINIÈRES A GAZ: METTEZ LA HOTTE AFIN D'AVOIR ENTRE LE BORD INFÉRIEUR DE LA HOTTE ET LE PLAN DE CUISSON UNE DISTANCE DE 30" (76,2 CM).**

**POUR DES CUISINIÈRES ÉLECTRIQUES: LA DISTANCE ENTRE LE BORD INFÉRIEUR DE LA HOTTE ET LE PLAN DE CUISSON NE DOIT PAS ÊTRE INFÉRIEURE DE 30" (76,2 CM).**

**EMPLOI DOMESTIQUE. LIRE ATTENTIVEMENT LE LIVRET INSTRUCTIONS POUR DES APPLICATIONS SPÉCIFIQUES.**

**Si les instructions d'installation du dispositif de cuisson au gaz spécifient une plus grande distance, il faut en tenir compte.**

Vérifiez donc la hauteur de votre plafond et la hauteur maximum de la hotte avant de choisir votre modèle de hotte.

**Reportez-vous aux dernières pages de ce manuel pour les instructions d'installation et le raccordement électrique.**

## Fonctionnement



### Touche ON/OFF lumière

Sert à allumer ou éteindre l'éclairage du plan de cuisson.



### Touche de sélection vitesse «BOOST»

**1<sup>ère</sup> pression:** pour activer la vitesse d'aspiration intensive «BOOST», temporisée **pendant 7 minutes**

**Remarque :** 7 minutes après la hotte repassera à la vitesse d'aspiration précédemment définie

**2<sup>ème</sup> pression** («BOOST» activé) : pour quitter la fonction, et revenir à la vitesse précédemment définie.

**Remarque :** la touche de la vitesse précédemment définie reste allumée durant le fonctionnement des BOOST



### Touche de sélection vitesse 3

Sert à activer la vitesse (puissance d'aspiration) **élevée**



### Touche de sélection vitesse 2

Sert à activer la vitesse (puissance d'aspiration) **moyenne**



### Touche de sélection vitesse 1

Sert à activer la vitesse (puissance d'aspiration) **basse**





### Touche allumage



Sert à allumer la hotte et permet de sélectionner les vitesses ; en appuyant dessus quand le moteur est allumé, le moteur s'éteint

**Remarque :** si aucune fonction n'est activée au bout de 10 secondes, la hotte s'éteint.

## Voyants de saturation des filtres

La hotte signale, à intervalles réguliers, l'obligation d'effectuer l'entretien des filtres.

Touches  et  allumées avec clignotement très lent : effectuer l'entretien du filtre à graisse.

Touches  et  allumées avec clignotement rapide : effectuer l'entretien du filtre à odeur.

**Remarque :** La signalisation de la saturation des filtres est visible les 10 premières secondes à compter de l'allumage de la hotte

## Réinitialiser voyants saturation filtres :

Appuyer longtemps sur les touches  et

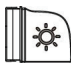





Les touches clignoteront rapidement pour confirmer le reset effectif

### Activation voyants de saturation des filtres

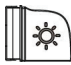

**Remarque** : cette opération doit être effectuée quand la hotte est éteinte.

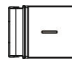

#### - Filtre à graisse

Appuyer sur les touches  et  longtemps pour activer la fonction. Les touches s'allument avec un **clignotement très lent**, pour indiquer qu'il est possible d'activer l'indicateur du filtre à graisse.

**Remarque** : Appuyer sur les touches  et  pour activer ou désactiver.

#### - Filtre à odeur

Appuyer sur les touches  et  longtemps pour activer la fonction. Les touches s'allument avec un **clignotement rapide**, pour indiquer qu'il est possible d'activer l'indicateur du filtre à odeur (normalement désactivé).

**Remarque** : Appuyer sur les touches  et  pour activer ou désactiver.

### Instructions pour l'entretien, utilisateur et la maintenance

#### Nettoyage

Pour le nettoyage, utiliser **EXCLUSIVEMENT** un chiffon humidifié avec des détergent liquides neutres. **NE PAS UTILISER D'OUTILS OU D'INSTRUMENTS POUR LE NETTOYAGE !** Éviter l'usage de produits abrasifs, **NE PAS UTILISER D'ALCOOL!**

#### Filtre anti-gras

Fig. 19-34

**Il retient les particules de graisse issues de la cuisson.**

Le filtre doit être nettoyé une fois par mois (ou lorsque le système d'indication de saturation des filtres – si prévu sur le modèle – indique cette nécessité) avec des détergents non agressifs, à la main ou dans le lave-vaisselle à faibles températures et cycle rapide.

Le lavage du filtre anti-graisse métallique au lave-vaisselle peut en provoquer la décoloration. Toutefois, les caractéristiques de filtrage ne seront en aucun cas modifiées. Pour démonter le filtre anti-graisse, tirer la poignée de décrochement à ressort.

#### Filtre à charbon actif (uniquement pour version recyclage)

Fig. 33

**Retient les odeurs désagréables de cuisson.**

Le filtre à charbon peut être nettoyé tous les deux mois (ou lorsque le système d'indication de saturation des filtres – si prévu sur le modèle possédé – indique cette nécessité) avec de l'eau chaude et au moyen de détergents appropriés ou dans le lave-vaisselle à 65°C (dans le cas de lavage dans le lave-vaisselle suivre un cycle de lavage complet sans vaisselle à l'intérieur).

Enlever l'eau qui excède en faisant attention de ne pas abîmer le filtre, ensuite le mettre dans le four pendant 10 minutes à 100°C pour le sécher définitivement. Remplacer le coussinet tous les 3 ans et chaque fois que le filtre sera abîmé.

#### Remplacement des lampes

##### 1x7 W LED

La hotte est dotée d'un système d'éclairage basé sur la technologie LED.

Les LEDS garantissent un éclairage optimal, une durée jusqu'à 10 fois supérieures aux ampoules traditionnelles et permettent une épargne de 90% en énergie électrique.

Pour le remplacement, s'adresser au service d'assistance technique.

## Garantie

# GARANTIE DE DEUX ANS **ELICA North America**

## POUR OBTENIR UN DEPANNAGE SOUS GARANTIE

Le propriétaire doit présenter une preuve de la date d'achat. Garder une copie de votre preuve d'achat datée (ticket de caisse) de façon à pouvoir bénéficier du service après-vente sous garantie.

## GARANTIE PIECES DE RECHANGE ET MAIN D'OEUVRE

Pendant une période de deux (2) ans à partir de la date d'achat, Elica s'engage à fournir gratuitement les pièces de rechange

ou les composants autres que les recharges ayant des défauts de fabrication.

Durant cette garantie de deux (2) ans, Elica fournira également gratuitement, toute la main d'oeuvre et le service à domicile

pour remplacer d'éventuelles pièces défectueuses.

## CE QUE LA GARANTIE NE COUVRE PAS

- Dégât ou panne du produit causé par un accident ou un cas de force majeure tels que inondation, incendie ou tremblement de terre.
- Dégât ou panne du produit causé par modification du produit ou utilisation de pièces pas d'origine.
- Dégât ou panne du produit causé lors de la livraison, de la manipulation ou de l'installation.
- Dégât ou panne du produit causé par une mauvaise utilisation.
- Dégât ou panne du produit causé par un remplacement des fusibles ou une remise en fonction des disjoncteurs par le propriétaire.
- Dégât ou panne du produit causé par une utilisation du produit pour raison commerciale.
- Déplacement à domicile pour explication d'utilisation ou d'entretien.
- Ampoules, filtres métalliques ou au charbon et toute autre pièce consommable.
- Usure normale.
- Usure due à une mauvaise utilisation du propriétaire, un entretien incorrect, une utilisation de substances nettoyantes corrosives ou abrasives et produits de nettoyage pour four.

## QUI EST COUVERT

Cette garantie s'étend à l'acheteur original de produits achetés pour un usage domestique habituel en Amérique du Nord (Y compris Etats Unis, Guam, Porto Rico, les Iles virgins Américaines & le Canada). Cette garantie n'est pas transférable et vaut uniquement pour l'acheteur original et ne s'étend pas aux propriétaires successifs du produit. Cette garantie vaut expressément en lieu et place de toute autre garantie, expresse ou sous-entendue, mais ne limite pas toute autre garantie sous-entendue de marchandage ou adaptation dans un but particulier et toute autre obligation de la part de Elica North America, étant entendu, cependant, que si la réclamation pour garanties sous-entendues n'est pas applicable aux yeux de la loi en vigueur, la durée de toute garantie sous-entendue émanant de la loi doit être limitée à deux (2) ans à partir de la date d'achat du produit ou à une période plus longue selon ce que dit la loi en vigueur.

Cette garantie ne couvre pas tout dégât particulier, accidentel et/ou consécutif, ni les pertes et profits, à charge du propriétaire, des ses clients et/ou des utilisateurs Des produits.

## QUI CONTACTER

Pour obtenir un service après-vente durant la garantie ou pour toute autre question:

- Elica North America Authorized Service - (714) 428-0046
- [elica@servicepower.com](mailto:elica@servicepower.com)

# LEA Y GUARDE ESTAS INSTRUCCIONES

**APROBADO PARA APARATOS DE USO DOMÉSTICO  
SÓLO PARA USO DOMÉSTICO  
LEA Y GUARDE ESTAS INSTRUCCIONES**

**ANTES DE CONTINUAR, LEA LAS INSTRUCCIONES POR COMPLETO.**

**LA INSTALACIÓN DEBE CUMPLIR TODA LA NORMATIVA LOCAL.**

**IMPORTANTE:** guarde estas instrucciones para su uso por parte del inspector de electricidad local.

**INSTALADOR:** entregue al propietario estas instrucciones junto con la unidad.

**PROPIETARIO:** conserve estas instrucciones para futuras consultas.

**Advertencia de seguridad:** antes de realizar el cableado de este aparato, desactive el circuito de energía eléctrica en el panel de servicio y desbloquee el panel.

**Requisito:** Circuito auxiliar de 120V, 60 Hz, 15 ó 20 A

Quitar el embalaje

**¡PRECAUCIÓN!**

Quitar el cartón con cuidado, usar guantes para protegerse de los bordes agudos.

**¡ADVERTENCIA!**

Quitar la película protectora que cubre el producto antes de la puesta en operación.



**Campana extractora** EHK648SS, EHK624SS, EHK613SS, EHK636WH, EHK636BL, EHK636SS

**Tensión asignada:** 120 V~

**Frecuencia:** 60 Hz

**Consumo de potencia:** 460 W

**consumo de corriente:** 3,8 A

**Contenido:** 1 pieza

**Hecho en Italia**

**Fabricado por:** Elica SPA

**Importado por:** ELICAMEX S.A. de C.V.

**Dirección:** Av. La Noria No. 102 int. S/N, Col.

Parque Industrial Querétaro

Del. Santiago de Querétaro, C.P. 76220 Querétaro, R.F.C. EII060102RK8

**Nota:** Los elementos que están marcados con el símbolo "(\*)" son accesorios opcionales suministrados únicamente con algunos modelos o elementos no suministrados, que deben comprarse a parte.



**Aviso de seguridad importante**

**PRECAUCIÓN**

**SÓLO PARA USO DE VENTILACIÓN GENERAL. NO UTILIZAR PARA EXPULSAR VAPORES O MATERIALES PELIGROSOS O EXPLOSIVOS.**

**ADVERTENCIA**

**PARA REDUCIR EL RIESGO DE FUEGO, DESCARGA ELÉCTRICA O LESIONES PERSONALES, RESPETE LO SIGUIENTE:**

- A. Utilice esta unidad solamente en el modo que indica el fabricante. En caso de duda, póngase en contacto con el fabricante.
- B. Antes de reparar o limpiar la unidad, desconecte la alimentación en el panel de servicio y bloquee los medios de desconexión del panel de servicio para evitar la conexión accidental de la alimentación. Si no es posible bloquear los medios de desconexión del panel de servicio, coloque un dispositivo de advertencia que destaque como, por ejemplo, una etiqueta, en el panel de servicio.

**ADVERTENCIA**

**PARA REDUCIR EL RIESGO DE FUEGO, DESCARGA ELÉCTRICA O LESIONES PERSONALES, RESPETE LO SIGUIENTE:**

- A. La instalación y el cableado eléctrico deben realizarlos personas cualificadas de acuerdo con las normativas y los estándares aplicables, incluida la construcción ignífuga.
- B. Es necesaria una ventilación suficiente para la correcta combustión y expulsión de gases por la salida de humos (Chimenea) del equipo de combustión de carburante para evitar el contratiro. Siga las directrices de fabricantes de equipos de calefacción y los estándares de seguridad como los publicados por la National Fire Protection Association (NFPA), American Society for Heating, Refrigeration and Air Conditioning Engineers

(ASHRAE) y las normativas locales.

- C. Al efectuar orificios en una pared o techo, no dañe el cableado eléctrico y otras instalaciones ocultas.
- D. Los sistemas instalados mediante conducto deben tener ventilación con salida al exterior.

#### **PRECAUCIÓN**

**Para reducir el riesgo de fuego y conseguir una salida del aire correcta, asegúrese de conducir el aire hacia el exterior. No permita que el aire se expulse en espacios situados en el interior de muros, techos, desvanes, sótanos de pequeña altura o garajes.**

#### **ADVERTENCIA**

**PARA REDUCIR EL RIESGO DE FUEGO, UTILICE SOLAMENTE TUBOS METÁLICOS.**

Instale esta campana de acuerdo con los requisitos especificados.

#### **ADVERTENCIA**

**Para reducir el riesgo de fuego o descarga eléctrica, no utilice esta campana con ningún dispositivo externo en estado sólido para el control de la velocidad.**

#### **ADVERTENCIA**

**PARA REDUCIR EL RIESGO DE INCENDIO OCASIONADO POR GRASA:**

- a) No deje nunca ninguna unidad externa desatendida y con valores de fuego altos. La cocción puede causar humo o reboses de grasa que pueden prender fuego. Caliente el aceite a fuego lento o medio.
- b) Encienda siempre la campana cuando cocine a una temperatura alta o cuando realice flameados (Por ejemplo, crepes Suzette, cerezas flameadas, ternera a la pimienta flameada).
- c) Limpie con frecuencia los ventiladores. No permita que la grasa se acumule en el ventilador o filtro.
- d) Utilice un tamaño de sartén adecuado. Utilice siempre piezas de batería de cocina adecuadas al tamaño del elemento de superficie.

#### **ADVERTENCIA**

**PARA REDUCIR EL RIESGO DE LESIONES PERSONALES, EN CASO DE FUEGO OCASIONADO POR GRASA, TENGA EN CUENTA LO SIGUIENTE<sup>a</sup>:**

- a) **EXTINGA LAS LLAMAS** con una tapa ajustada, una lámina para hacer galletas u otro tipo de bandeja metálica y apague el quemador de gas o elemento eléctrico. **TENGA CUIDADO PARA EVITAR QUEMADURAS.** Si las llamas no se extinguen inmediatamente, **DESALOJE EL LUGAR Y LLAME A LOS BOMBEROS.**
- b) **NUNCA TOME UNA SARTÉN EN LLAMAS**, podría sufrir quemaduras.
- c) **NO UTILICE AGUA**, incluidas bayetas o toallas húmedas ya que se produciría una violenta explosión de vapor.
- d) Utilice un extintor **SÓLO** si:

1) Sabe que dispone de un extintor de la clase ABC y conoce su funcionamiento.

2) El fuego es pequeño y se encuentra en la misma zona donde se inició.

3) Ha llamado a los bomberos.

4) Puede luchar contra el fuego teniendo una salida a su espalda.

<sup>a</sup>Según los "Consejos para la Seguridad Antincendio en Cocina", publicado por NFPA.

#### **FUNCIONAMIENTO**

a. Coloque siempre las rejillas y los filtros de seguridad en su lugar correspondiente. Sin estos componentes, los ventiladores en funcionamiento podrían atrapar su pelo, sus dedos o su ropa.

El fabricante declina toda responsabilidad en caso de fallo de cumplimiento de las instrucciones aquí facilitadas para la instalación, el mantenimiento y el uso adecuado del producto. El fabricante declina además toda responsabilidad por daños ocasionados por negligencia y la garantía de la unidad queda cancelada automáticamente como consecuencia de un mantenimiento incorrecto.

- Este aparato no se destina para utilizarse por personas (incluyendo niños) cuyas capacidades físicas, sensoriales o mentales sean diferentes o estén reducidas, o carezcan de experiencia o conocimiento a menos que dichas personas reciban una supervisión o capacitación para el funcionamiento del aparato por una persona responsable de su seguridad.
- Los niños deben supervisarse para asegurar que ellos no empleen los aparatos como juguete.
- No flamear alimentos bajo la campana de cocina
- Debe haber una ventilación adecuada en el cuarto, cuando la campana de cocina se utiliza al mismo tiempo que los aparatos que consumen gas u otros combustibles. (NO APLICA PARA CAMPANAS QUE UNICAMENTE SON RECIRCULANTES)
- Existe el riesgo de fuego, si la limpieza no se realiza de acuerdo con las instrucciones.
- El aire de descarga no debe enviarse a través de un conducto que se utilice para evacuar los humos de los aparatos que consumen gas u otros combustibles. (NO APLICA PARA CAMPANAS QUE UNICAMENTE SON RECIRCULANTES).
- Deben de cumplirse las regulaciones que se relacionen con la evaluación de la descarga de aire
- En caso de que su cordón de alimentación llegase a sufrir un daño parcial o total no trate de repararlo acuda al centro de servicio marcado en su garantía o bien con un técnico especialista para su sustitución.

## Requisitos eléctricos y de instalación

### Requisitos eléctricos

#### IMPORTANTE

cumpla todas las normativas y ordenanzas gubernamentales.

Es responsabilidad del cliente:

Ponerse en contacto con un instalador eléctrico cualificado.  
Asegurarse de que la instalación eléctrica es adecuada y en conformidad con National Electrical Code, ANSI/NFPA 70 (última edición\*) o CSA Standards C22.1-94, Canadian Electrical Code, Parte 1 y C22.2 No.0-M91 (última edición\*) y toda la normativa y las ordenanzas locales.

Si la normativa lo permite y se utiliza un cable de toma a tierra independiente, se recomienda que un electricista cualificado determine si la difracción de onda de tierra es la adecuada.

#### INSTRUCCIONES PARA LA PUESTA A TIERRA

Este aparato debe ser conectado a tierra. En caso de cortocircuito eléctrico, la conexión a tierra reduce el riesgo de descargas eléctricas, proveyendo un cable de fuga para la corriente eléctrica. Este aparato es dotado de cable eléctrico con conductor y enchufe de puesta a tierra. El enchufe debe ser insertado en un toma, correctamente instalado y conectado a tierra.

**ATENCION** – La inadecuada puesta a tierra puede causar un riesgo de descarga eléctrica.

Consultar un electricista calificado en caso de mal interpretación de las instrucciones para la puesta a tierra o de dudas sobre el adecuamiento de la conexión a tierra.

No utilizar una prolongación. Si el cable de alimentación es demasiado corto, hacer instalar por un electricista calificado, un enchufe en proximidad del aparato

No ubique la toma a tierra en una tubería de gas.  
Si no está seguro de que la campana está correctamente conectada a tierra, consulte a un electricista cualificado.  
No coloque ningún fusible en el circuito neutral o con vuelta por tierra.

No manejar ningún ventilador con la cuerda dañada o enchufado. Descartar el ventilador o devolverlo al servicio autorizado para facilitar su examen o reparación.

No pasar la cuerda debajo del alfombrado.  
No cubra la cuerda con mantas de tiro, corredores, o cubiertas similares. No haga pasar la cuerda por debajo de

muebles o apliques. Arreglar la cuerda fuera del área de tránsito y donde no será pisada.

#### IMPORTANTE

Guarde las instrucciones de instalación para su uso por parte del inspector de electricidad.

La campana debe estar conectada directamente al desconector con fusible (O disyuntor).

Los tamaños de cable deben cumplir los requisitos de la National Electrical Code, ANSI/NFPA 70 (última edición\*) o CSA Standards C22.1-94, Canadian Electrical Code, Parte 1 y C22.2 No.0-M91 (última edición\*) y toda la normativa y las ordenanzas locales.

Se pueden obtener copias de los estándares enumerados en:

\* National Fire Protection Association Batterymarch Park  
Quincy, Massachusetts 02269

\*\* CSA International 8501 East Pleasant Valley Road  
Cleveland, Ohio 44131-5575

### Antes de instalar la campana

1. Para obtener una circulación del flujo de aire más eficaz, utilice un tubo de tramo recto o el menor número posible de tubos acodados.  
**PRECAUCIÓN:** el conducto de ventilación solamente debe tener salida hacia la parte exterior del edificio.
2. Para realizar la instalación, se necesitan al menos dos personas. Use guantes para protegerse contra los bordes afilados.
3. La campana se ajusta mediante material adecuados para la mayoría de superficies; consulte a un instalador cualificado para comprobar si quedan perfectamente ajustados al armario o a la pared.
4. No emplee tubos flexibles.
5. Las instalaciones en CONDICIONES CLIMÁTICAS FRIAS deben tener instalado un regulador de contratiro adicional para minimizar el flujo de aire inverso y una rotura térmica no metálica para minimizar la conducción de temperaturas externas como parte de los tubos. El regulador debe encontrarse en la parte de aire frío de la rotura térmica.  
La rotura debe estar lo más cerca posible al lugar donde los tubos entran en la parte caliente de la casa.
6. Aire limpio: Las normativas locales para edificios pueden requerir el uso de sistemas de aire limpio cuando se utilizan sistemas de ventilación mediante tubos superiores al CFM especificado de movimiento de aire. El CFM especificado varía de una zona a otra. Para conocer los requisitos específicos de su zona, consulte a un profesional de HVAC.

Toda ubicación de fijación debe extenderse hasta los pernos; de lo contrario proceda de la siguiente manera:  
Realice un corte en el tabique aislante a lo largo de las líneas marcadas. Instale lo necesario entre los pernos firmemente emparejados con la parte frontal del perno existente. Asegúrese de que los tornillos de montaje quedan anclados a los pernos agregados. Reemplace y renueve el acabado del tabique aislante.

**Cuando se use en modo re circulante, Para reducir el riesgo de incendio y choque eléctrico, use sólo el kit de conversión modelo KIT Long Life.**

### Utilización

La campana está diseñada para ser utilizada tanto en la forma de extracción al exterior como por la forma de recirculante o filtrado de interior.



#### Versión aspirante

El vapor es evacuado hacia el exterior a través de un tubo de escape introducido en el aro de sujeción que se encuentra arriba de la campana.

#### ⚠ ATENCIÓN!

El diámetro del tubo de escape debe ser igual al diámetro del aro de sujeción.

#### ⚠ ATENCIÓN!

Si la campana está provista de filtro de carbón, hay que sacarlo.

Conectar la campana en los tubos y en los orificios de escape de pared con diámetro equivalente a la salida del aire (brida de empalme).

El uso de tubos u orificios de escape de pared con diámetro inferior, determinará una reducción de los rendimientos de la aspiración y un drástico aumento del ruido.

Se deslinda responsabilidad.

! Utilice un conducto cuya longitud sea la mínima indispensable.

! Utilice un conducto con el menor número posible de curvas (ángulo máximo de la curva: 90°).

! Evite los cambios drásticos en la sección del conducto



#### Versión filtrante

El aire aspirado vendrá desgrasado y desodorizado antes de ser alimentado de nuevo en la habitación.

Para utilizar la campana en esta versión es necesario instalar un sistema de filtración adicional a base de carbón activado.

### Instalación

**La instalación, eléctrica o mecánica, debe ser realizada por personas especializadas.**

No corte una vigueta o un perno a menos que sea absolutamente necesario. Si fuera necesario efectuar el corte, deberá construirse un marco de soporte.

Se suministra el material de ajuste necesario para fijar la campana a la mayoría de tipos de muro o techo.

No obstante, un técnico cualificado debe comprobar la idoneidad de los materiales de acuerdo con el tipo de muro o techo.

Antes de efectuar ningún corte, asegúrese de existe espacio libre adecuado en el techo o muro para la expulsión del aire.

La preferencia de la altura de instalación de la campana de

los usuarios es por encima de la cocina. Cuanto más cerca esté la campana de la cocina, más eficaz resultará la captura de olores, grasa y humos.

**PRECAUCIÓN: PARA LA INSTALACION DE ESTUFAS DE GAS: INSTALE ESTA CAMPANA DE TAL MANERA QUE LA CORNISA INFERIOR SE ENCUENTRE A 30" (76,2 CM) SOBRE LA SUPERFICIE DE COCCION.**

**PARA LA INSTALACION DE ESTUFAS ELECTRICAS: INSTALE ESTA CAMPANA DE TAL MANERA QUE LA CORNISA INFERIOR SE ENCUENTRA A NO MENOS DE 30" (76,2 CM) SOBRE LA SUPERFICIE DE COCCION.**

**PARA USO ELECTRODOMESTICO. POR FAVOR, LEA EL MANUAL DE INSTALACION PARA UNA INSTALACION ESPECIFICA.**

**Si las instrucciones para la instalación del dispositivo para cocinar con gas especifican una distancia mayor, hay que tenerlo en consideración.**

Antes de seleccionar la campana, compruebe la altura del techo y la altura máxima de la campana.

**Consulte las últimas páginas de este manual para obtener instrucciones de instalación y conexión eléctrica.**

## Funcionamiento



### Botón ON/OFF luz

Pulse para encender o apagar la iluminación de la placa de cocción.



### Botón de selección de velocidad "BOOST"

**1° presión:** para activar la velocidad de aspiración intensiva "BOOST", temporizada **por 7 minutos**

**Nota:** transcurridos los 7 minutos la campana regresará a la velocidad de aspiración precedentemente configurada

**2° presión** (de "BOOST" activado): para salir de la función, y regresar a la velocidad precedentemente configurada.

**Nota:** el botón de la velocidad precedentemente configurada permanece iluminado durante el funcionamiento de los BOOST



### Botón de selección velocidad 3

Pulse para activar la velocidad (potencia de aspiración) **alta**



### Botón de selección velocidad 2

Pulse para activar la velocidad (potencia de aspiración) **media**



### Botón de selección velocidad 1

Pulse para activar la velocidad (potencia de aspiración) **baja**




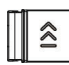
### Botón de encendido



Pulse para encender la campana y permitir la selección de las velocidades; si es presionado con el motor encendido, el motor se apaga

**Nota:** si no se interviene en ninguna función después de 10 segundos la campana se apaga.

## Indicadores de Saturación filtros

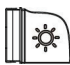

A intervalos regulares la campana señala la necesidad de realizar el mantenimiento de los filtros.

Botón  y  encendidos con luz parpadeante muy lenta: realice el mantenimiento del filtro de grasas.

Botón  y  encendidos con luz parpadeante veloz: realice el mantenimiento del filtro para olores.

**Nota:** La indicación de saturación de los filtros es visible dentro de los primeros 10 segundos del encendido de la campana

## Reset indicadores saturación filtros:

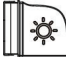

Pulse de modo prolongado los botones  y  Los botones parpadearán velozmente—confirmado el reset

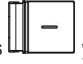



### Activación indicadores saturación filtros



**Nota:** esta operación debe ser realizada con la campana apagada.

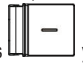

#### - Filtro de grasas

Pulse los botones  y  de modo prolongado para activar la función los botones se iluminan con **luz parpadeante muy lenta**, para indicar que se puede activar el indicador de filtro de grasas

**Nota:** Pulse los botones  y  para activar o desactivar

#### - Filtro para olores

Pulse los botones  y  de modo prolongado para activar la función los botones se iluminan con **luz parpadeante veloz**, para indicar que se puede activar el indicador de filtro para olores (normalmente desactivado)

**Nota:** Pulse los botones  y  para activar o desactivar

### Instrucciones para el servicio de venta y de postventa y mantenimiento

#### Limpieza

Para la limpieza, utilice **EXCLUSIVAMENTE** un paño impregnado de detergente líquido neutro. **¡NO UTILICE UTENSILIOS O INSTRUMENTOS PARA LA LIMPIEZA!** No utilice productos que contengan abrasivos. **¡NO UTILICE ALCOHOL! ¡NO UTILICE DESINFECTANTES NI PRODUCTOS QUE CONTENGAN CLORO!**

#### Filtro antigrasa

**Fig. 19-34**

**Retiene las partículas de grasa producidas cuando se cocina.**

Debe limpiarse una vez al mes (o cuando el sistema de indicación de saturación de los filtros - si está previsto en el modelo que se posee - indica esta necesidad) con detergentes no agresivos, manualmente con un cepillo de cerdas suaves o bien en lavavajillas a bajas temperaturas y con ciclo breve.

Con el lavado en el lavavajilla el filtro antigrasa metálico puede desteñirse pero sus características de filtrado no cambian absolutamente.

Para desmontar el filtro antigrasa, tirar de la manija de desenganche de muelle.

### Filtro al carbón activo (solamente para la versión filtrante)

**Fig. 33**

**Retiene los olores desagradables producidos por la cocción de alimentos.**

El filtro al carbón puede lavarse cada dos meses (o cuando el sistema de indicación de saturación de los filtros - si está previsto en el modelo que se posee - indica esta necesidad) con agua caliente y detergentes adecuados o en lavavajillas a 65°C ( en caso de lavado con lavavajillas, realice el ciclo de lavado completo sin platos en el interior.). Quite el agua que haya quedado en el filtro sin estropearlo, después póngalo en el horno a 100°C durante diez minutos para secarlo completamente. Cambie el almohadillado cada 3 años y cada vez que el paño se estropee.

### Sustitución de la lámpara 1x7 W LED

La campana viene provista de un sistema de iluminación basado en la tecnología LED.

Los LEDS garantizan una óptima iluminación, una duración hasta 10 veces mayor de las lámparas tradicionales y permiten aborrra el 90% de energía eléctrica. .

Para la sustitución dirigirse al servicio asistencia técnica .

## Garantía

### *ELICA North America*

## **GARANTIA LIMITADA DE DOS AÑOS.**

### **PARA OBTENER SERVICIO DENTRO DE GARANTIA.**

El propietario debe presentar su recibo original de la compra. Guarde por favor una copia de su recibo de compra como prueba, para recibir el servicio dentro del periodo de garantía.

### **PARTES Y GARANTIA DE SERVICIO.**

Por el periodo de (2) dos años desde la fecha original de la compra, Elica proveerá, gratuitamente, partes no-consumibles o componentes que hayan fallado debido a defectos de fabricación. Durante estos (2) años de garantía limitada, Elica también proveerá gratuitamente, todo el servicio en casa y mano de obra necesaria para reemplazar cualquier parte defectuosa.

### **QUE NO ESTA CUBIERTO**

- Daños o fallas del producto causados por accidente o actos de Dios, tales como inundaciones incendios o terremotos.
- Daños o fallas causadas por alteración del producto o por el uso de partes no-originales.
- Daños o fallas del producto causados durante la entrega, manejo o instalación.
- Daños o fallas del producto causados por abuso del usuario.
- Daños o fallas del producto causados por reemplazo de fusibles dañados o reseteo de interruptor de circuito.
- Daño o fallas causados por el uso del producto en un ambiente comercial (no doméstico).
- Viajes de servicio debidos a dudas sobre el uso o instalación del producto.
- Bombillas, filtros de carbón o metal y cualquier otra parte consumible.
- Desgaste normal.
- Desgaste terminal debido a abusos del usuario, mantenimiento inadecuado, uso de productos / toallas de limpieza corrosivos o abrasivos y por uso de limpiadores para hornos.

### **QUIEN ESTA CUBIERTO**

Esta garantía se extiende al comprador original de productos adquiridos para uso residencial en Norte América (incluyendo Estados Unidos, Guam, Puerto Rico, Islas Vírgenes de USA y Canadá).

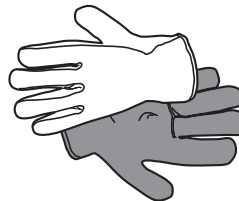
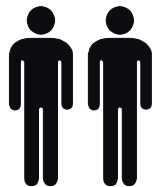
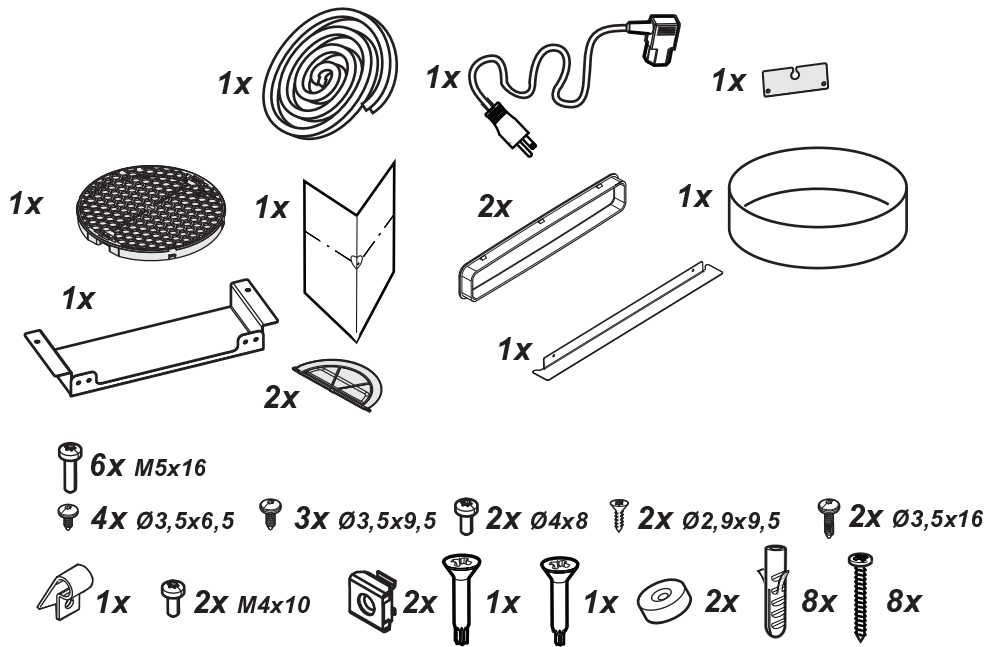
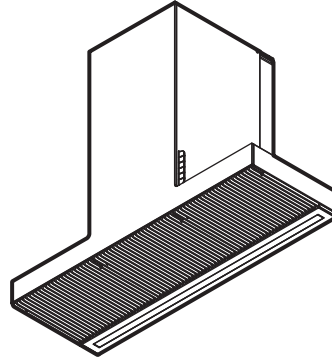
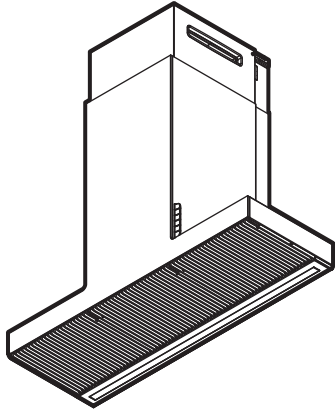
Esta garantía no es transferible y aplica solamente al comprador original y no se extiende a propietarios subsecuentes del producto. Esta garantía se expresa en lugar de otras garantías, expresadas o implicadas, incluyendo, pero no limitada a ninguna garantía implicada de comercialización o adaptada para propósitos particulares y cualquier otra obligación por parte de Elica North America, considerando, sin embargo, que si la negación de garantías implícitas es inefectiva bajo la ley aplicable, la duración de cualquier garantía implícita será limitada a dos (2) años desde la fecha original de compra o por el periodo necesario como sea requerido por la ley aplicable.

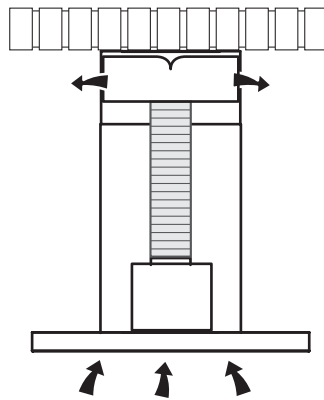
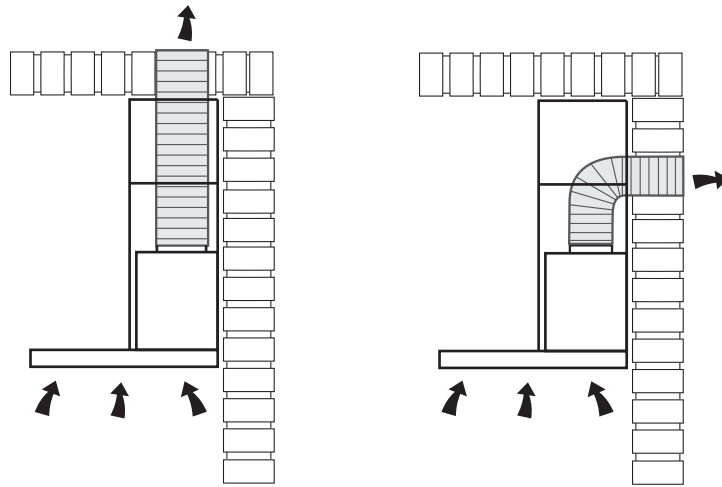
Esta garantía no cubre cualquier daño especial, incidental y/o consecuente, ni pérdidas de ganancias, sufridas por el comprador original, sus clientes y/o usuarios del producto.

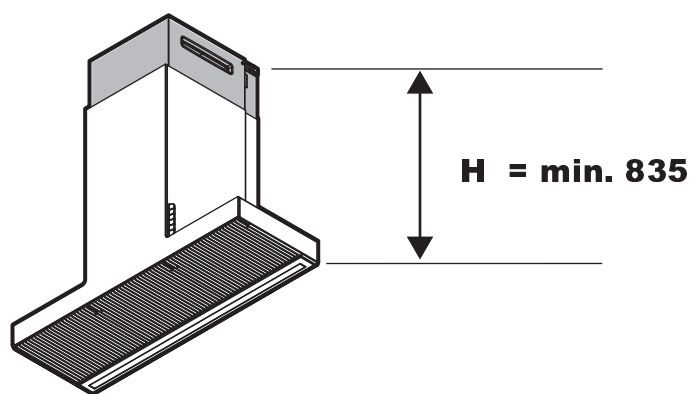
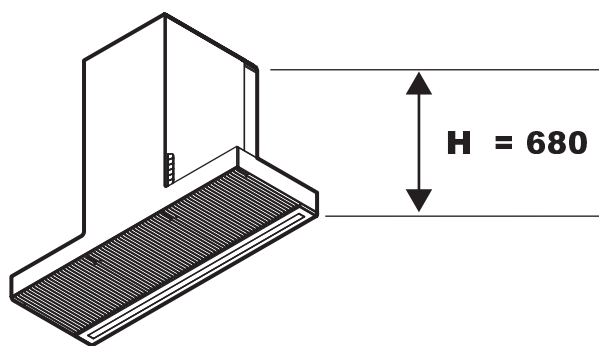
### **A QUIEN CONTACTAR**

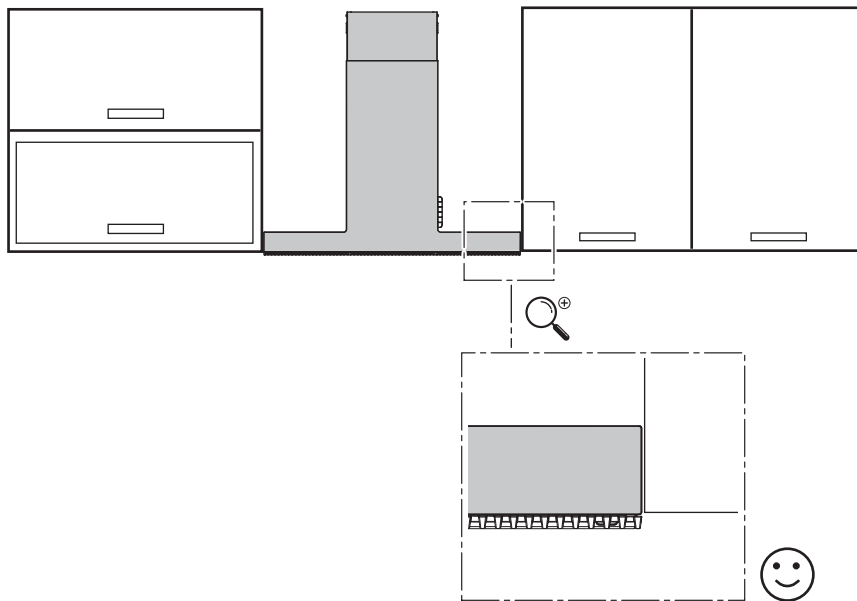
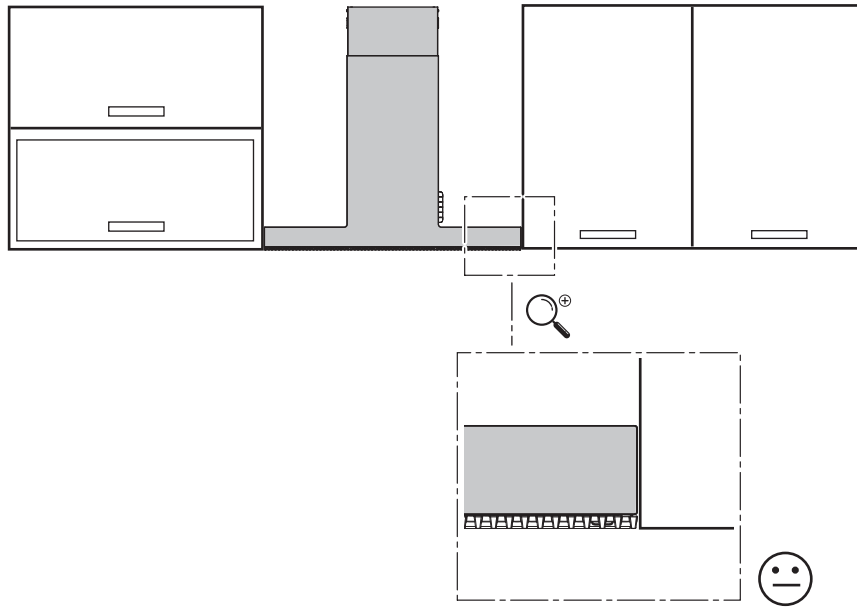
Para obtener servicio bajo garantía o para cualquier pregunta relacionada a servicio.

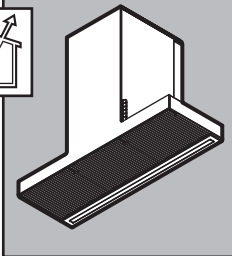
- Servicio Autorizado de Elica North America - (714) 428-0046
- [elica@servicepower.com](mailto:elica@servicepower.com)



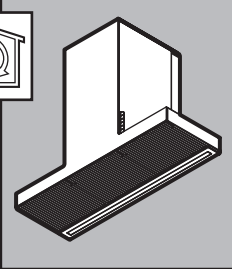




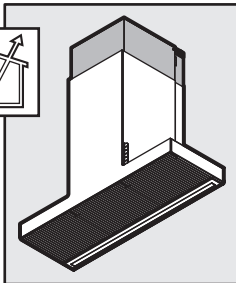




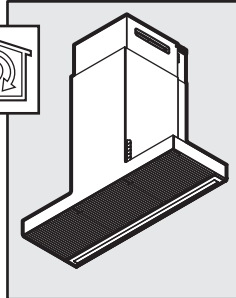
1 - 1a - 1b - 1c -1d - 1e - 1f - 1g - 2 - 3a - 3b - 4 - 5 - 6  
 - 7 - 8 - 8.1 - 8.2 - 8.3 - 8.4 - 10 - 11 - 12 - 14.1 -14.2  
 -14.3 - 18 -19 -23 - 24 -25 - 25.1 -25.2 -26 -27 - 28 -29  
 - 34 -35



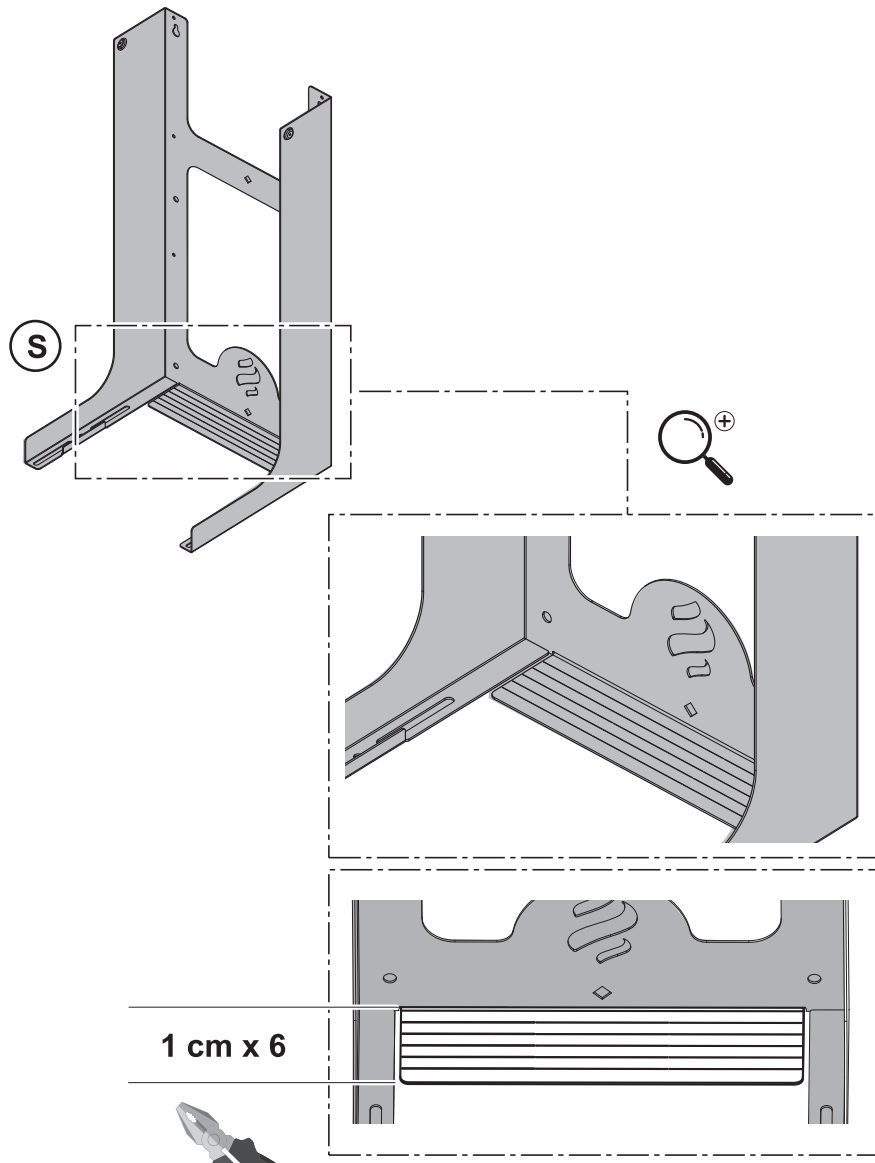
1 - 1a - 1b - 1c -1d - 1e - 1f - 1g - 2 - 3a - 3b - 4 - 5 - 6  
 - 7 - 8 - 8.1 - 8.2 - 8.3 - 8.4 - 10- 11 - 13 - 14.1 -14.2  
 -14.3 - 19 - 23 - 24 -25 - 25.1 -25.2 -26 -27 - 28 -29 -32  
 - 33 -34 -35



1 - 1a - 1b - 1c -1d - 1e - 1f - 1g - 2 - 3a - 3b - 4 - 5 - 6  
 - 7 - 9 -9.1 -9.2 -9.3 -9.4 -9.5 -9.6 - 10 - 11 - 12 - 14.1  
 -14.2 -14.3 - 15 - 17 -19 - 20 -22 - 22.1 - 24 -25 - 25.1  
 -25.2 -26 -27 - 28 - 29 -30 - 34 -35

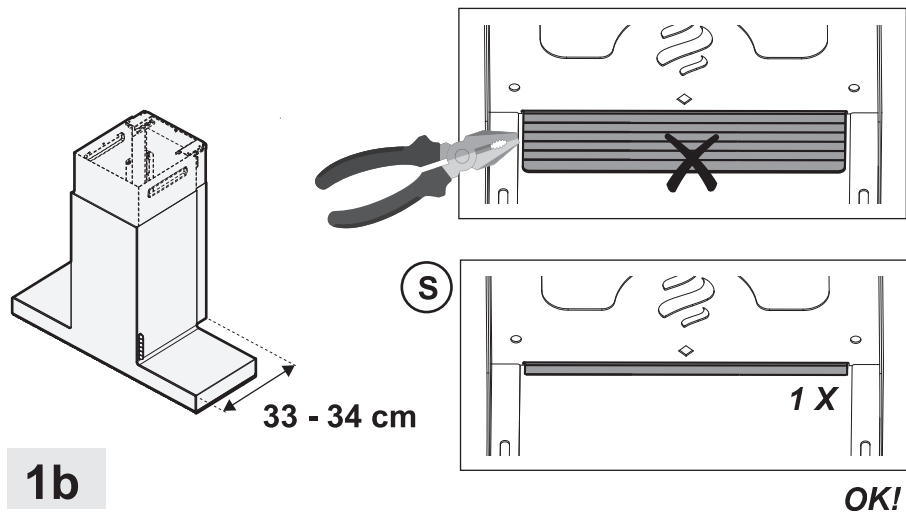
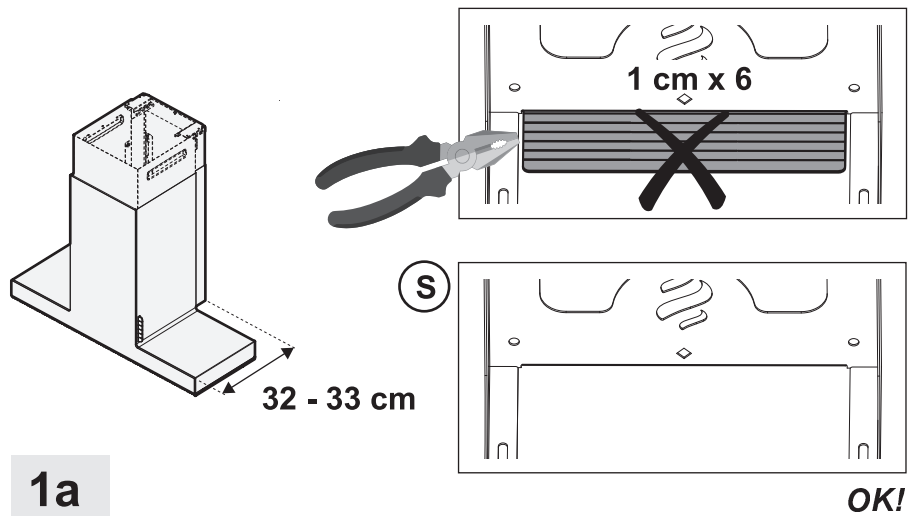


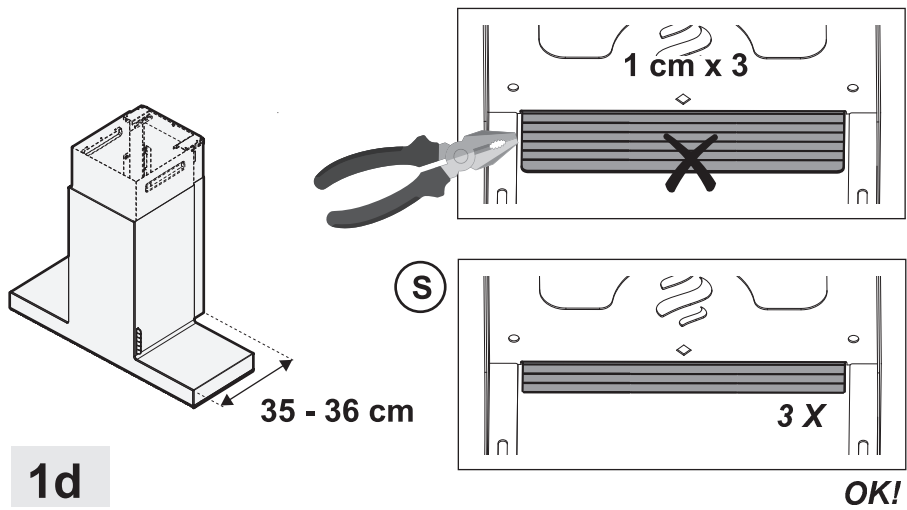
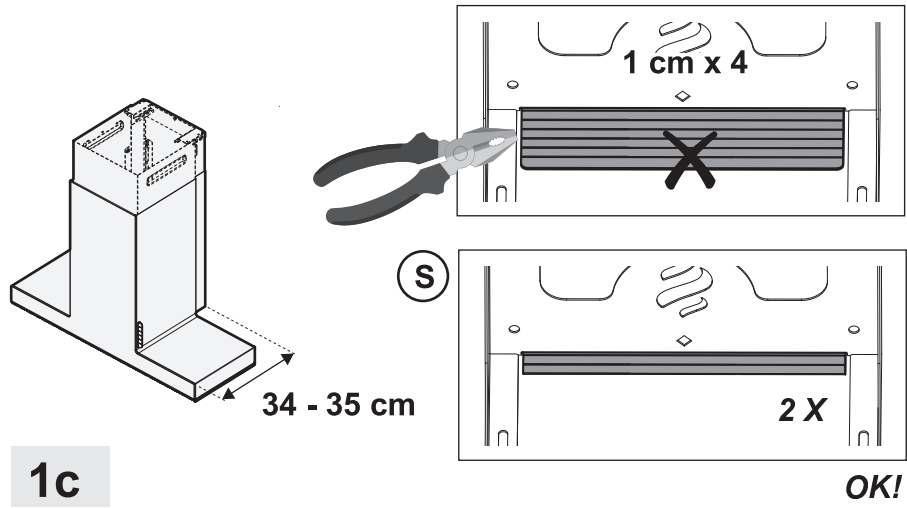
1 - 1a - 1b - 1c -1d - 1e - 1f - 1g - 2 - 3a - 3b - 4 - 5 - 6  
 - 7 - 9 - 9.1 - 9.2 - 9.3 - 9.4 - 9.5 - 9.6 - 10 - 11 - 14.1  
 -14.2 -14.3 - 15 - 16 - 16.1 - 16.2 -16.3 -16.4 -19 - 20 -  
 21 -21.1 -24 -25 - 25.1 -25.2 -26 -27 - 28 -29 -30 - 31  
 -32 - 33 -34 -35

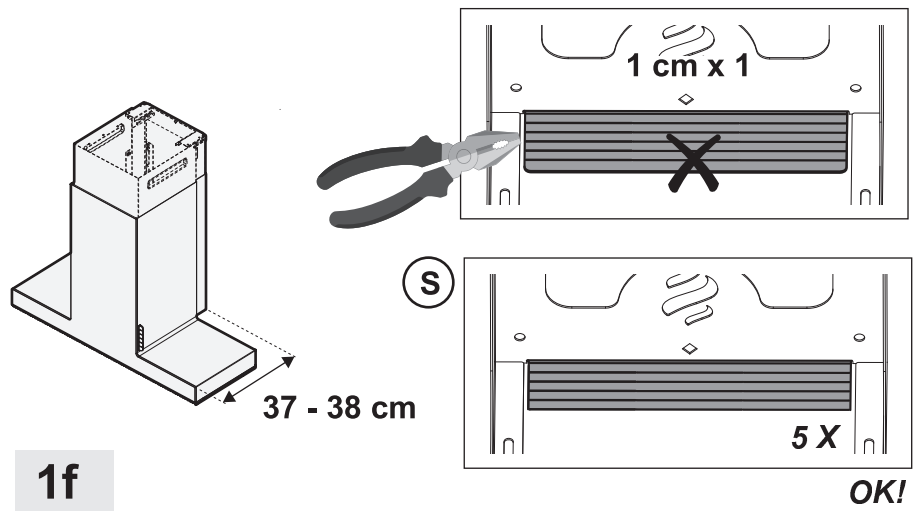
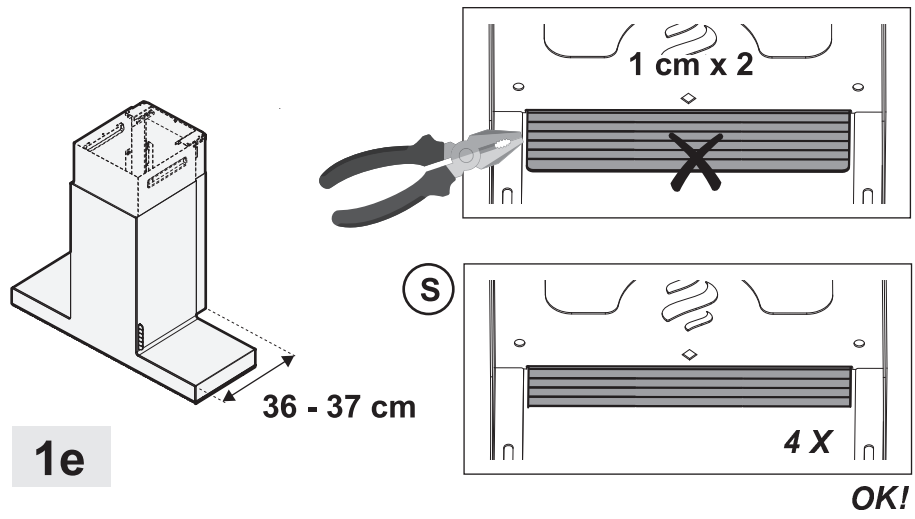


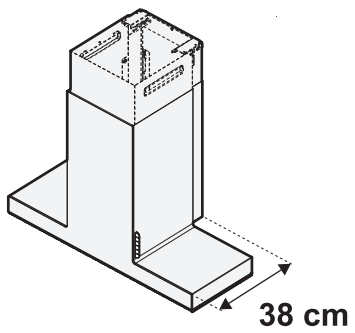
**1**



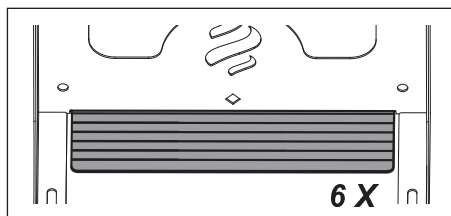






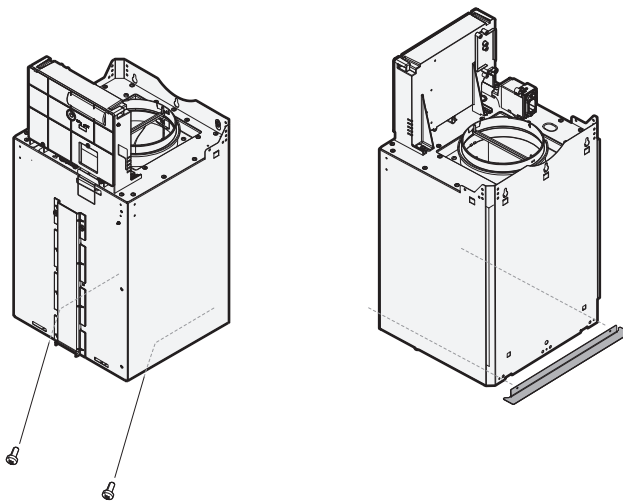
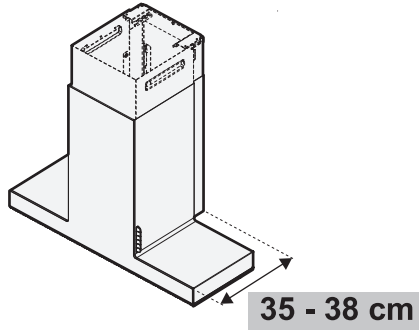


S

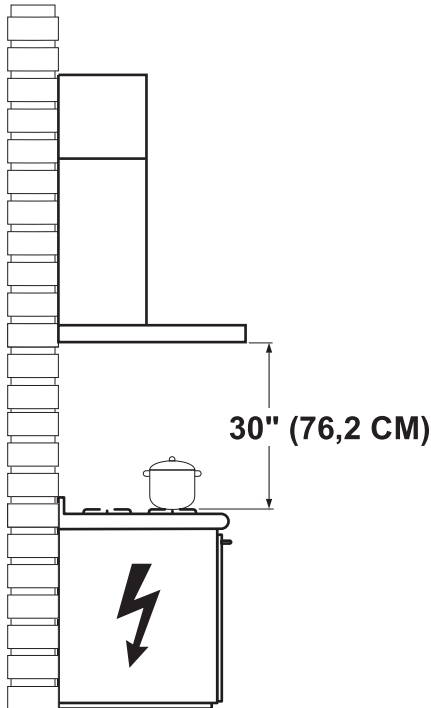


OK!

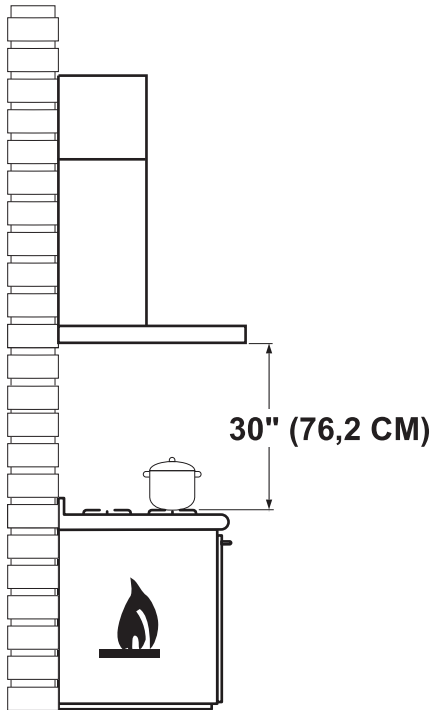
1g

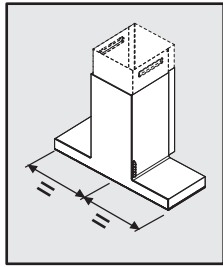


3a

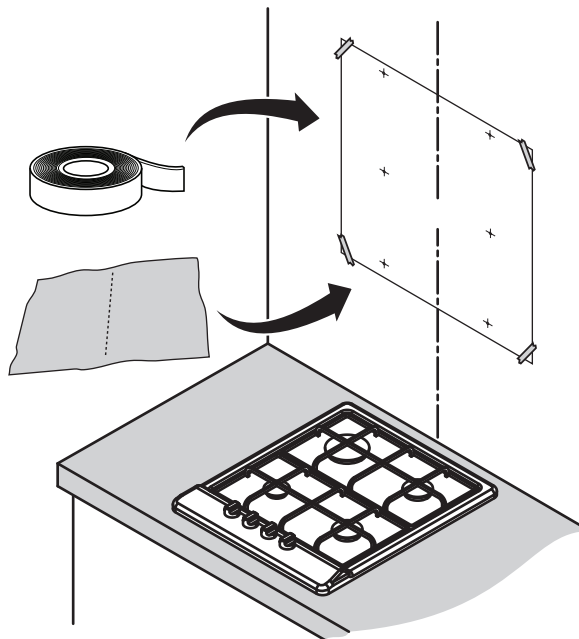
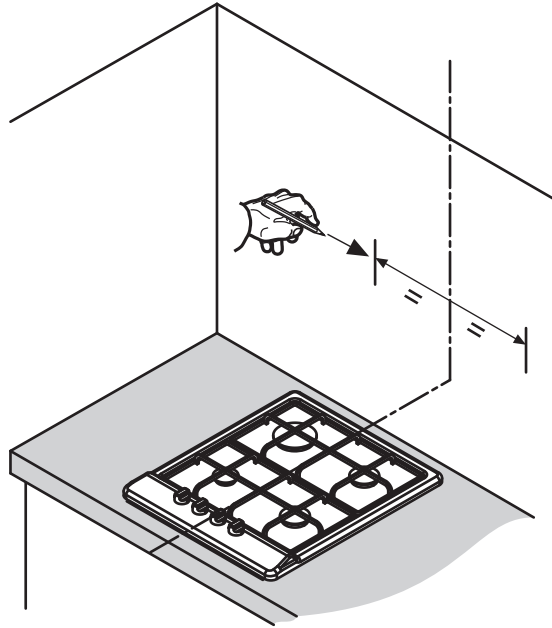


3b

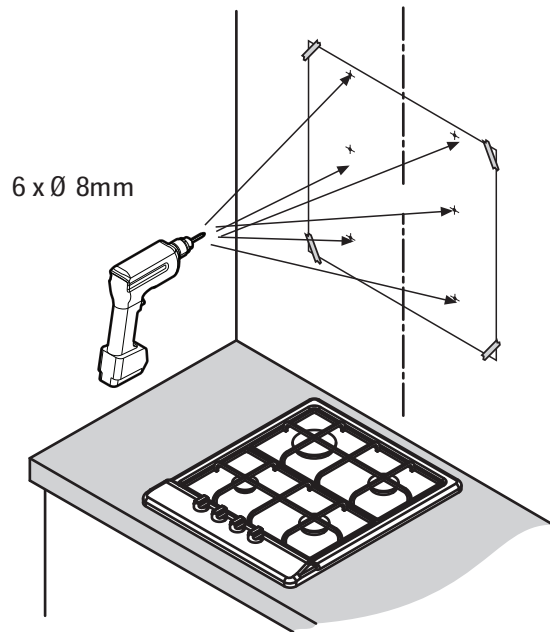




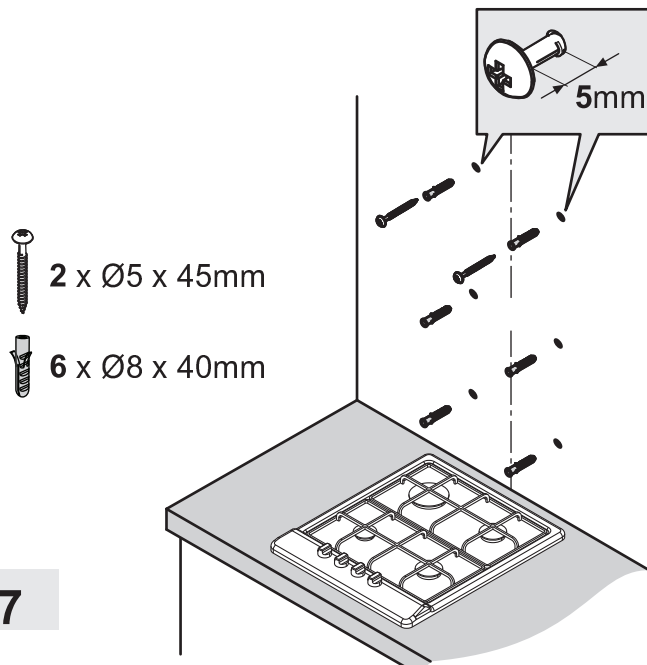
4



5

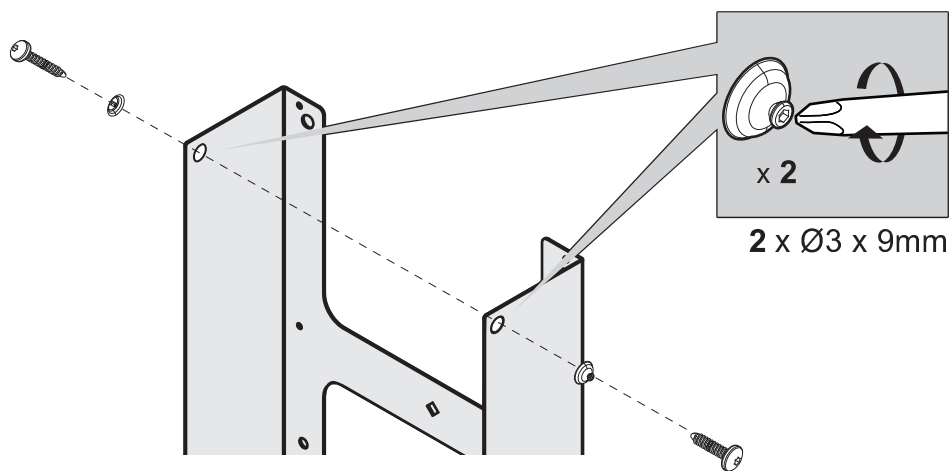
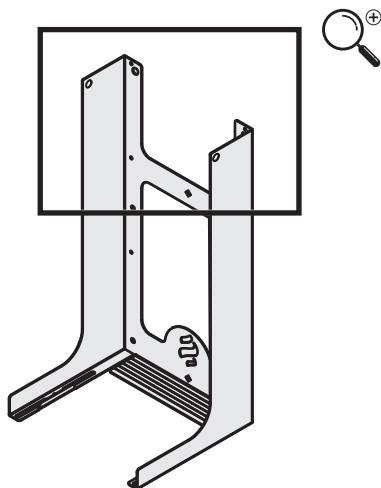
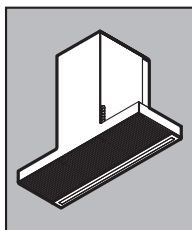


6

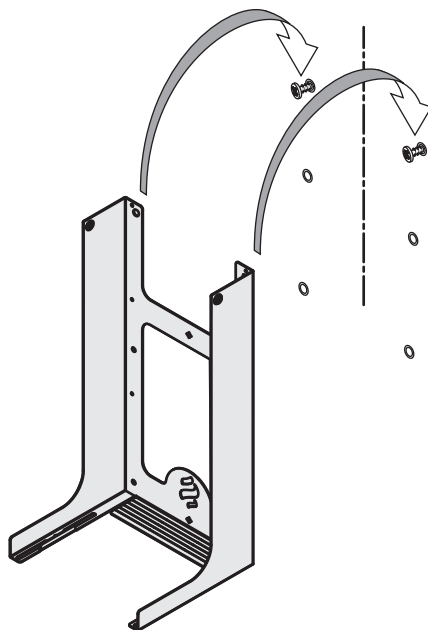


7

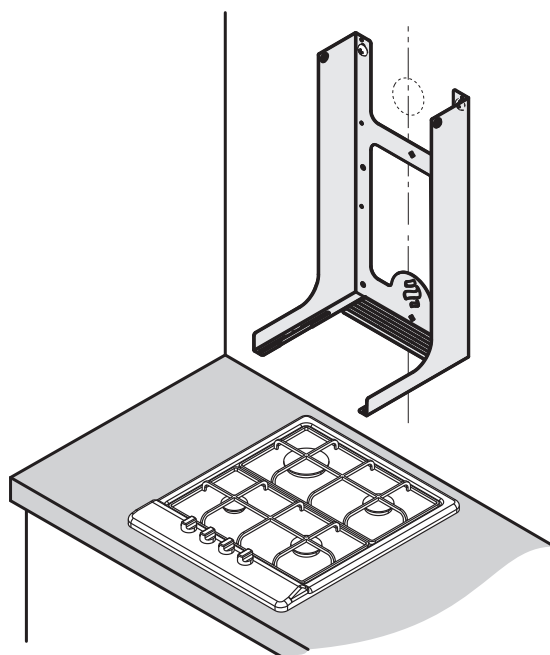




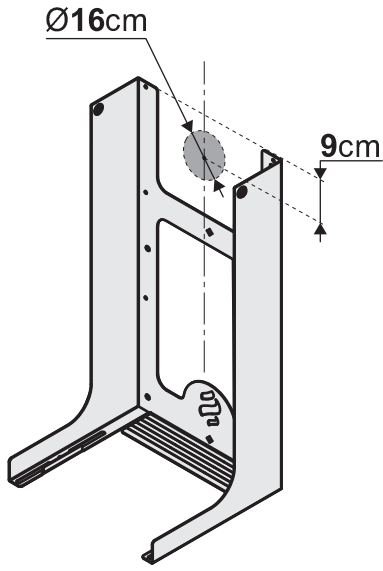
8.1



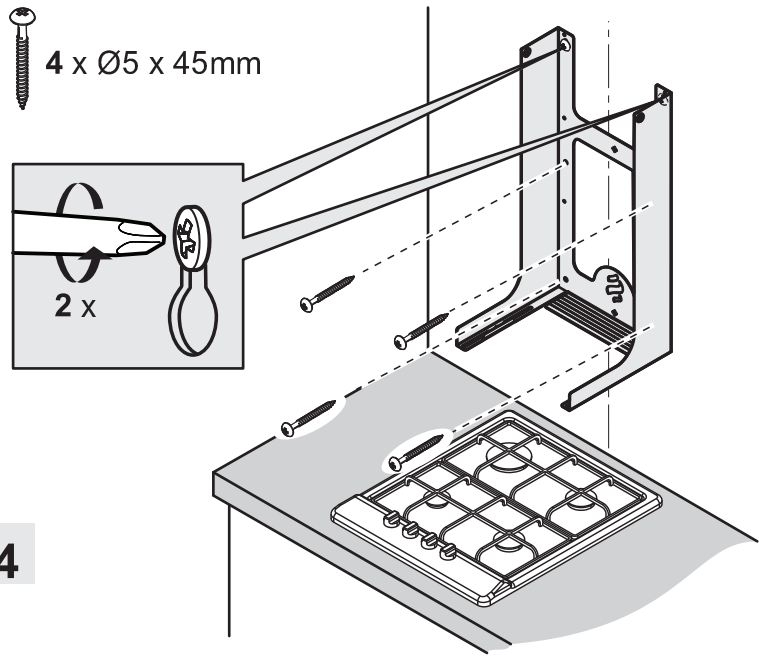
8.2

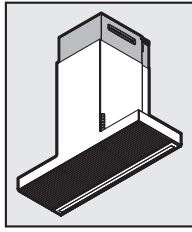


8.3

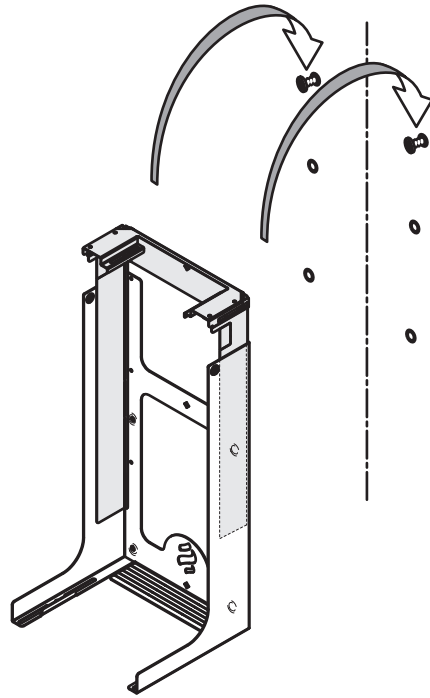


8.4

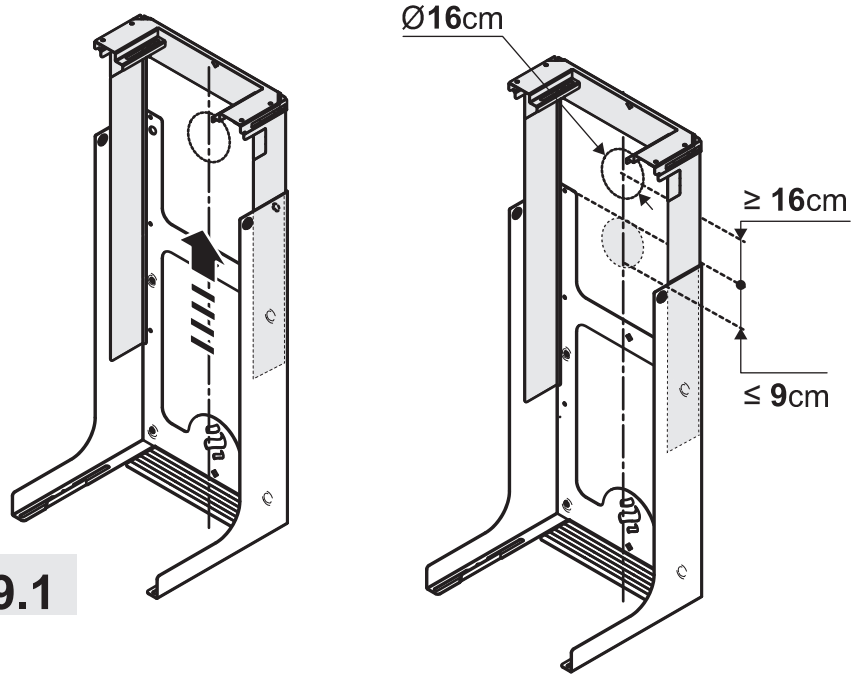




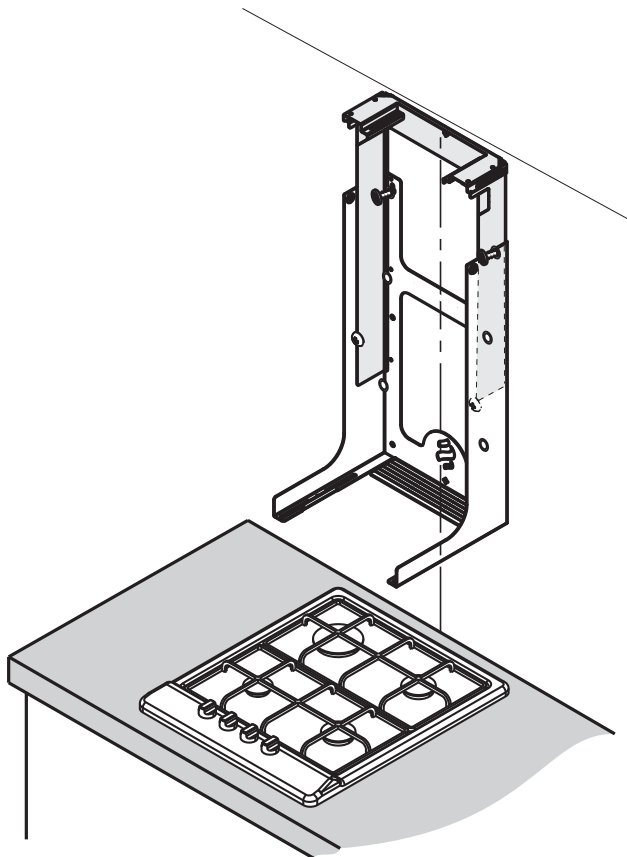
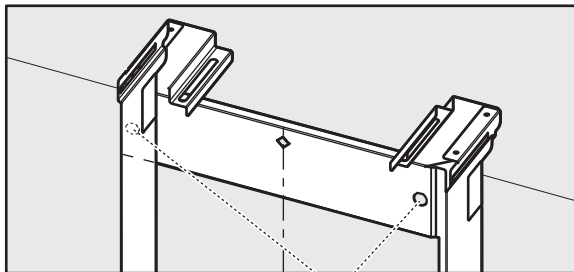
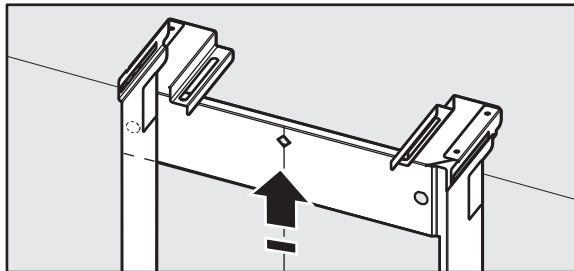
9



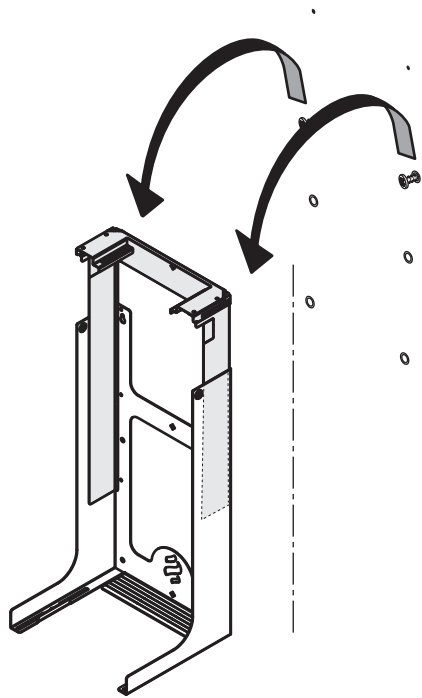
9.1



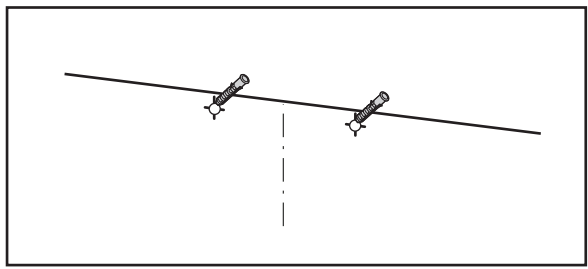
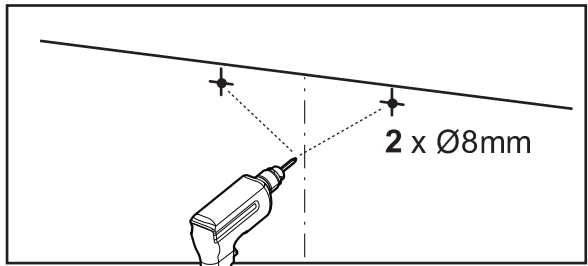
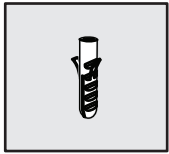
9.2



9.3

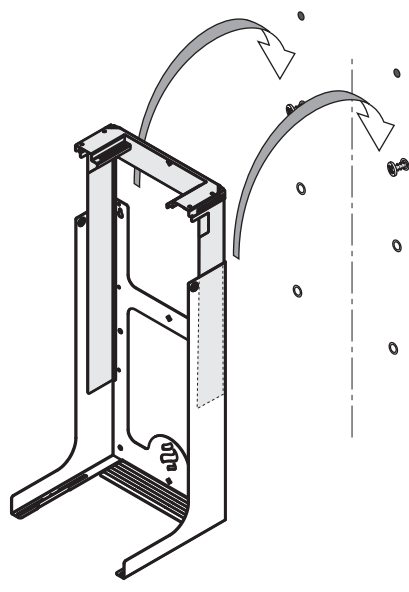


2 x Ø8 x 40mm

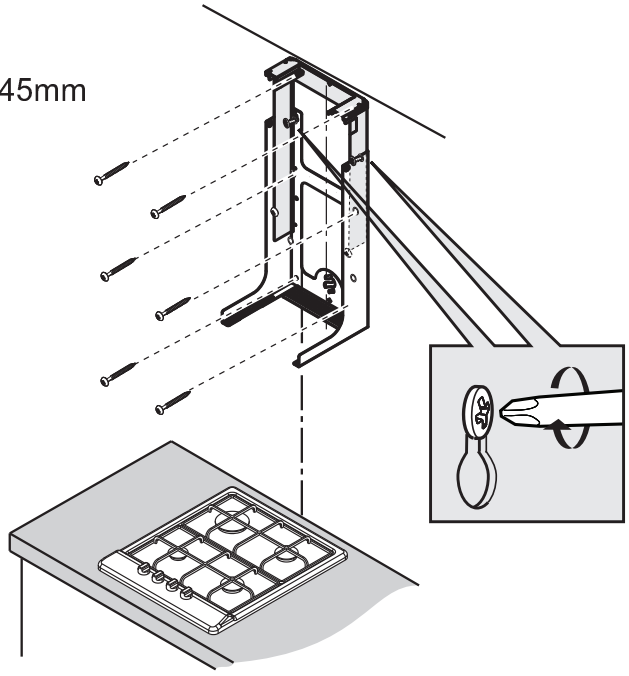


9.4

9.5

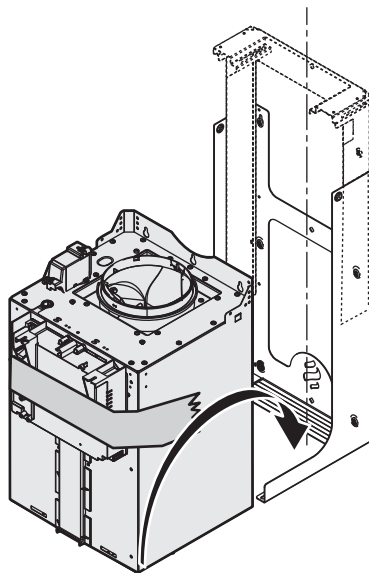


6 x Ø5 x 45mm

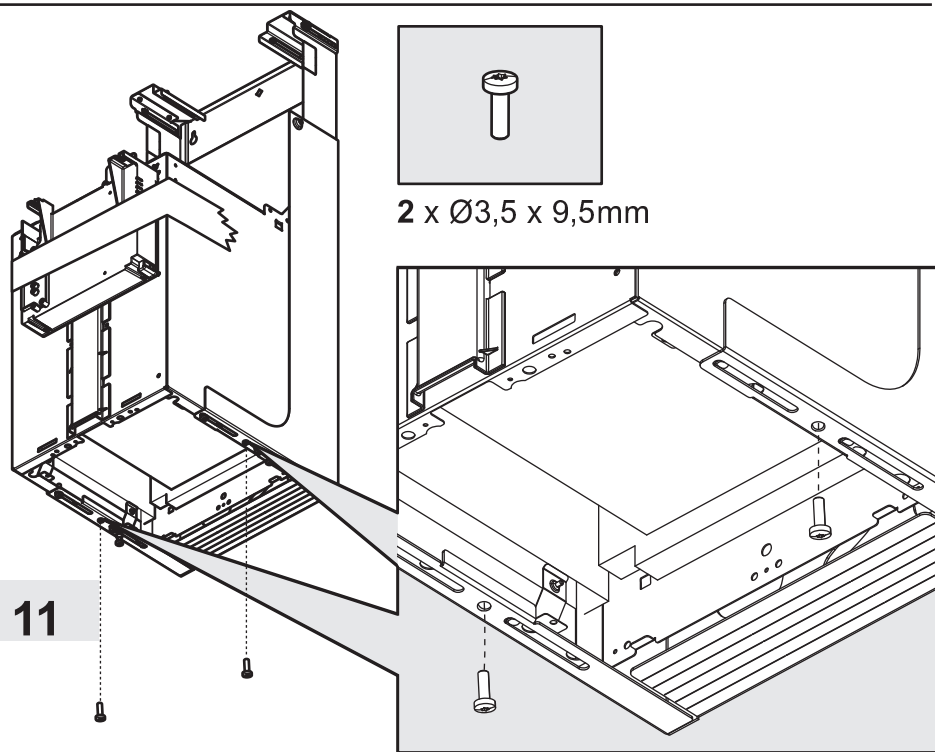


9.6

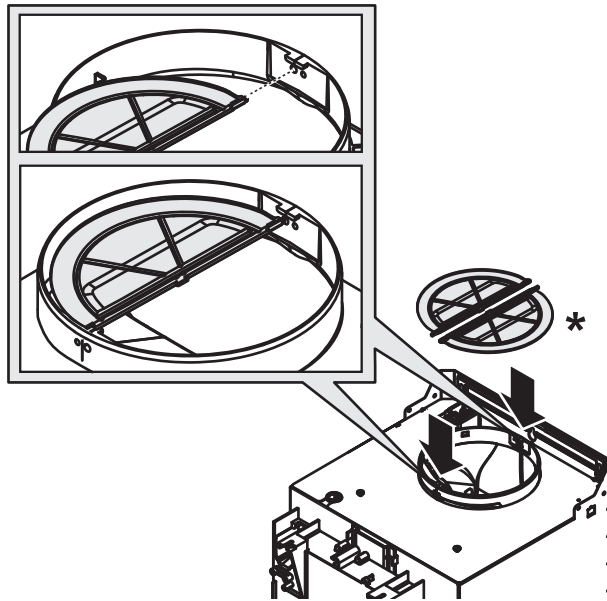
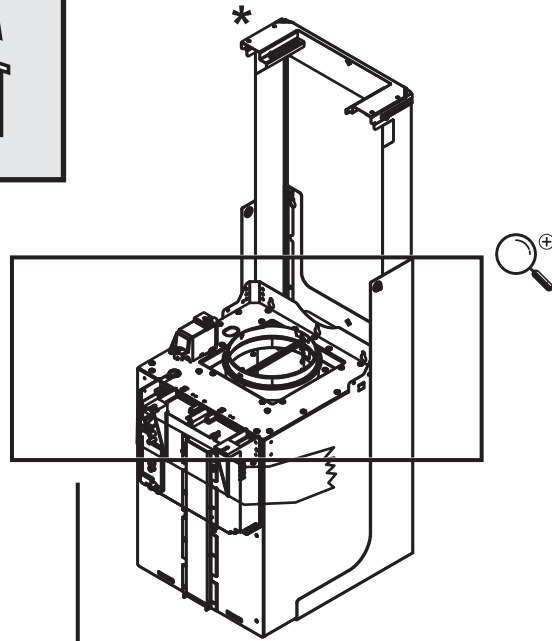
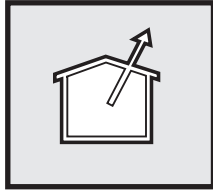
10

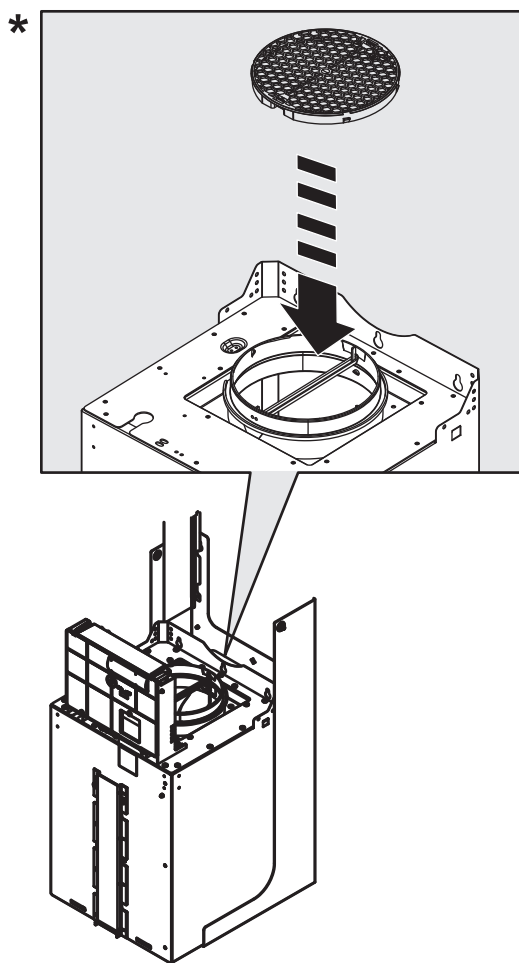
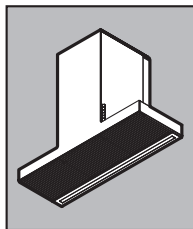


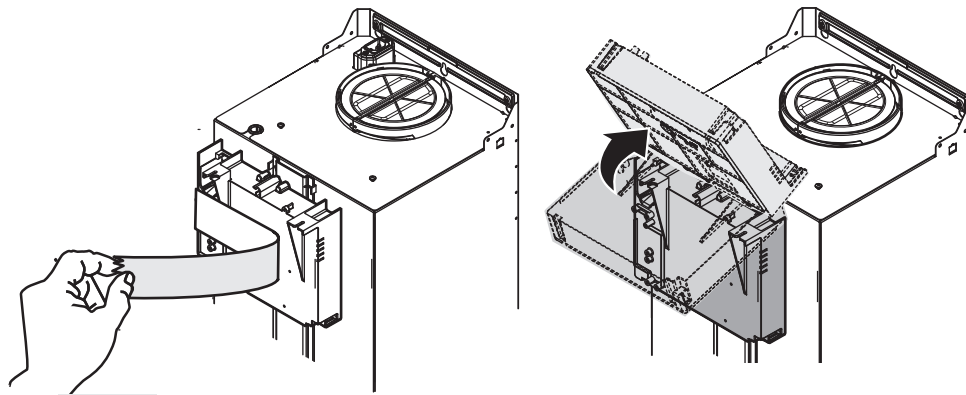
11



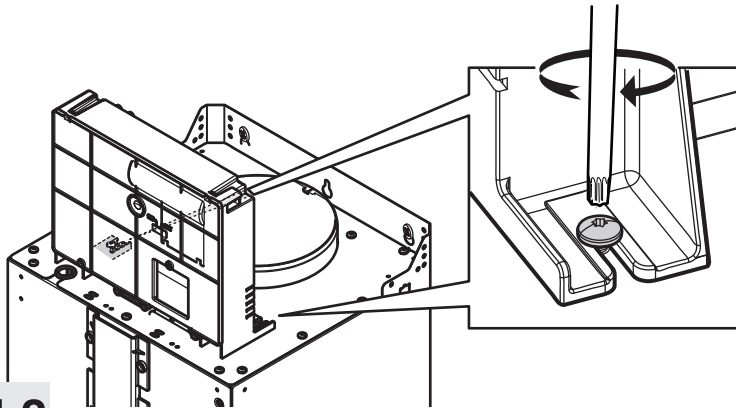




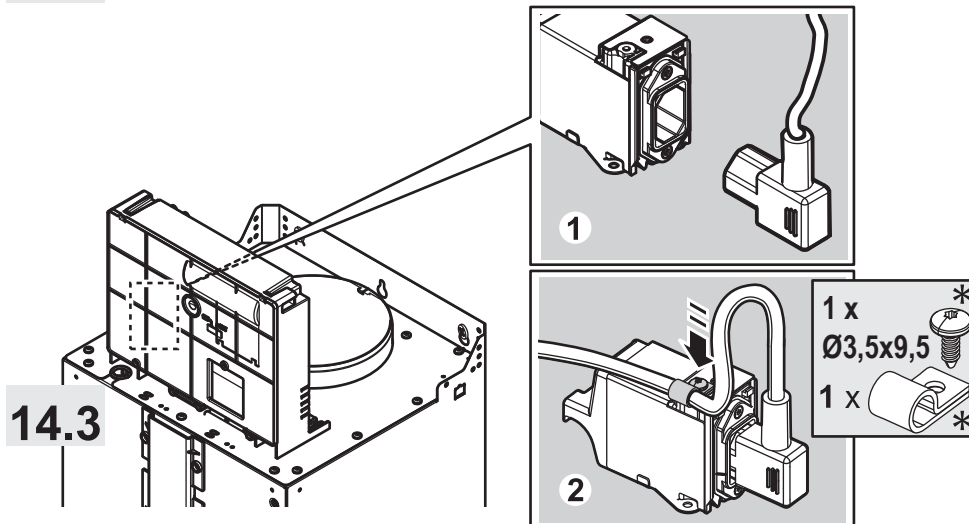




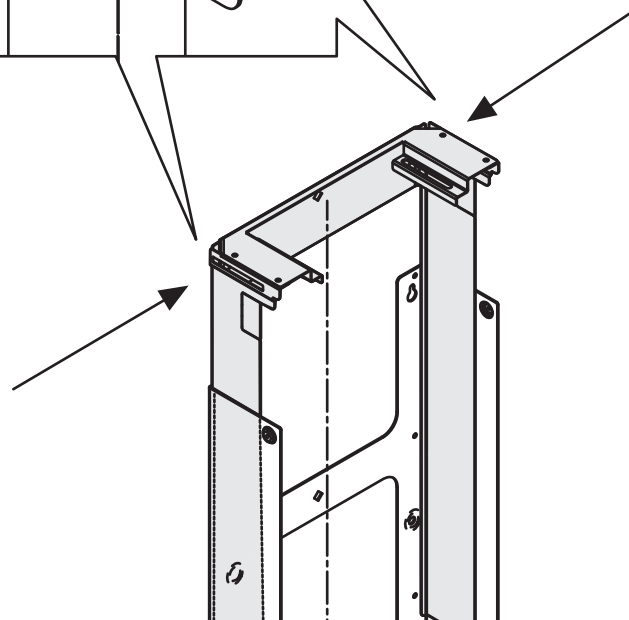
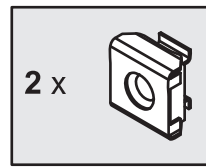
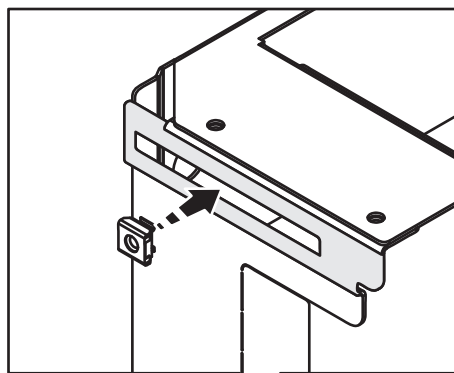
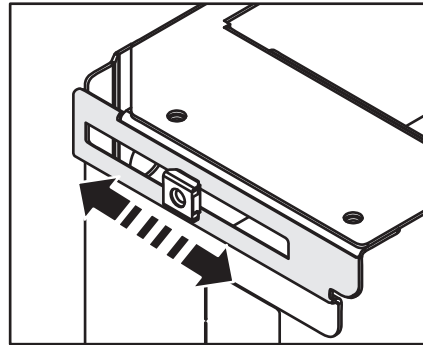
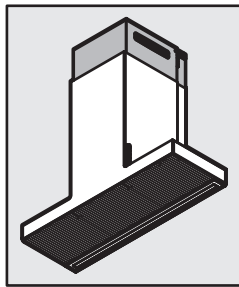
14.1



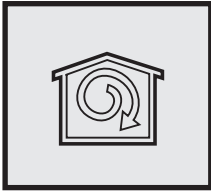
14.2



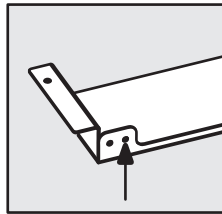
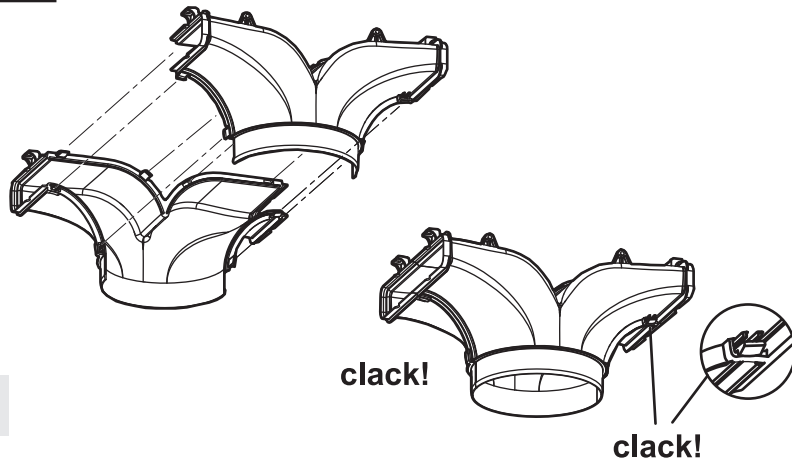
14.3



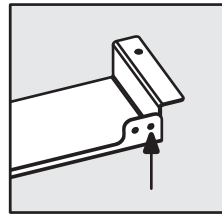
15



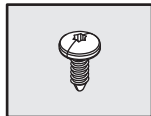
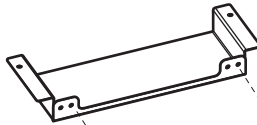
16



a.

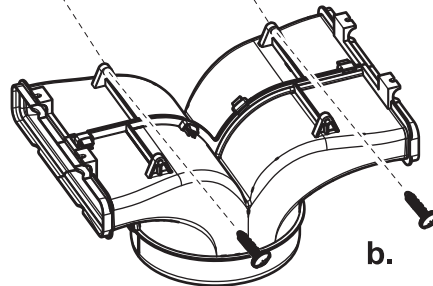


a.

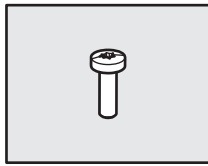
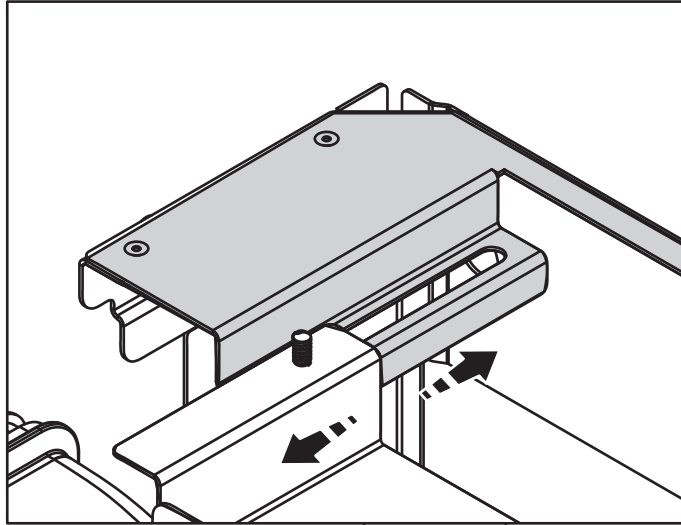


2 x Ø3,5x16mm

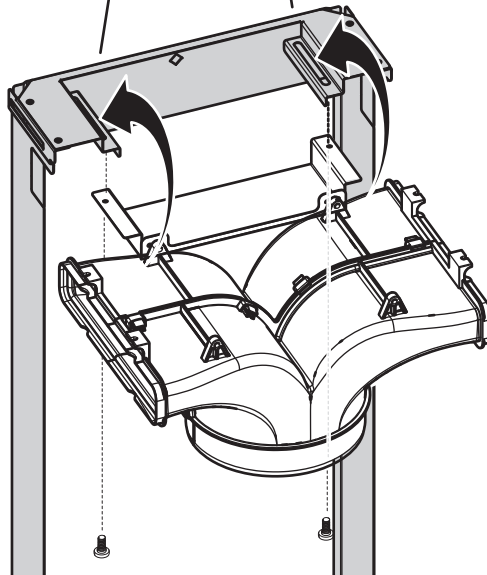
16.1



b.

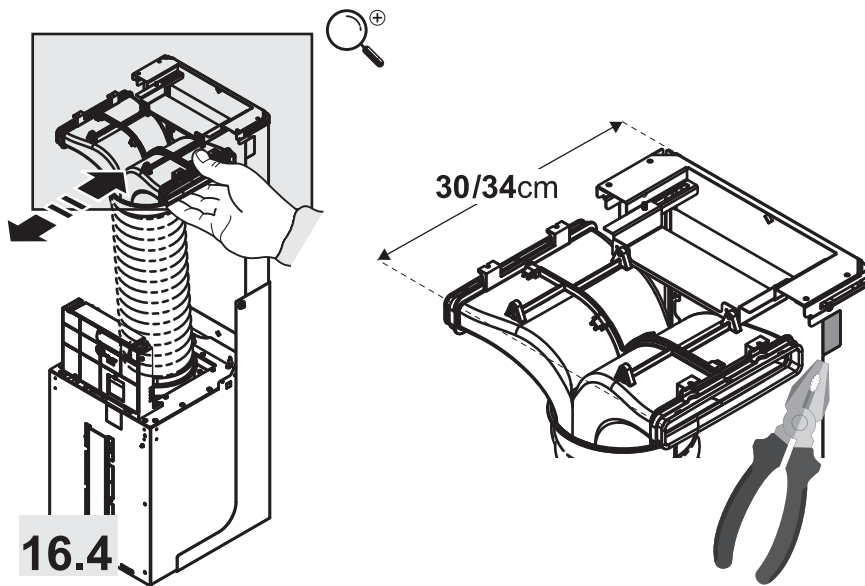
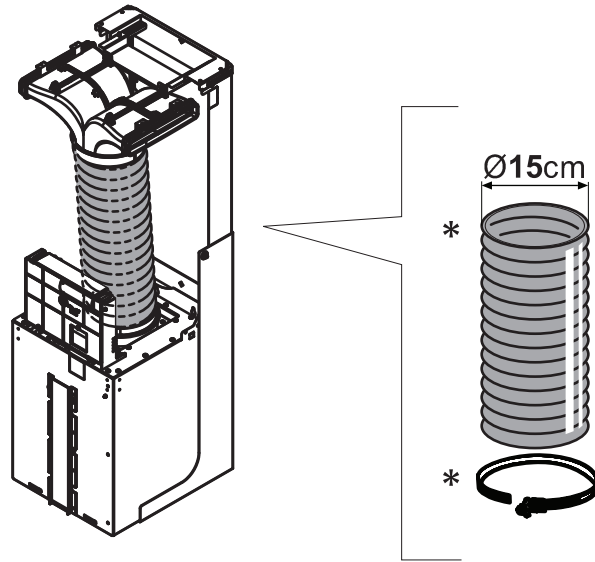


2 x Ø4 x 10mm

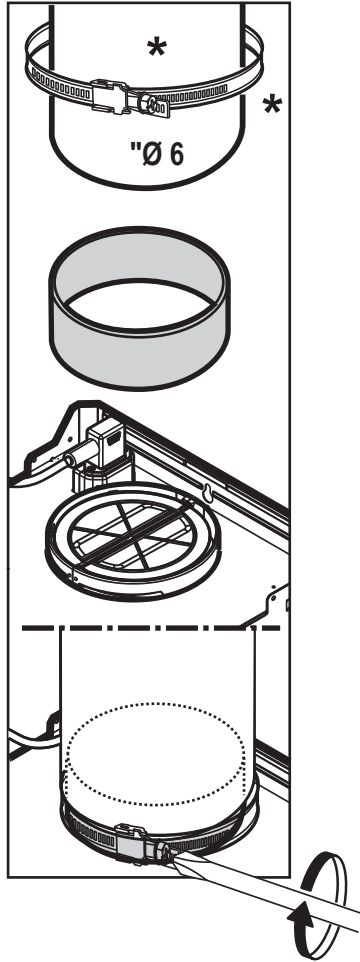
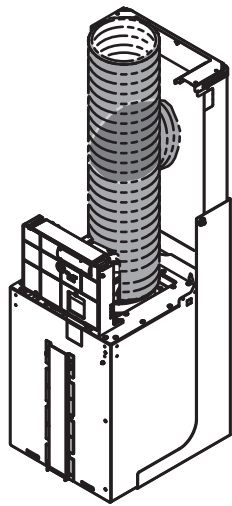
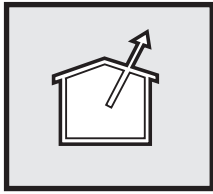


**16.2**

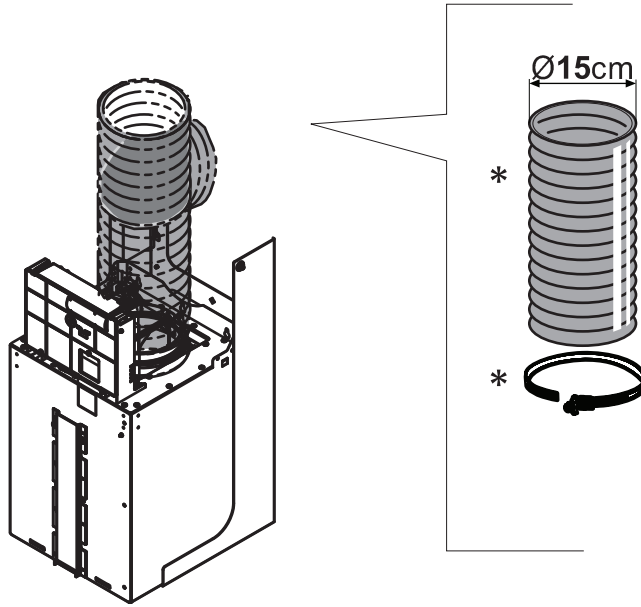
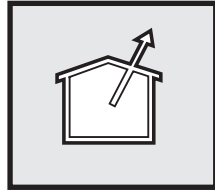
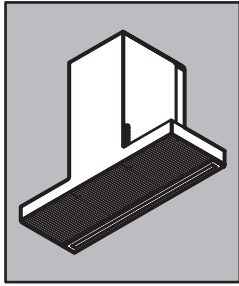
16.3

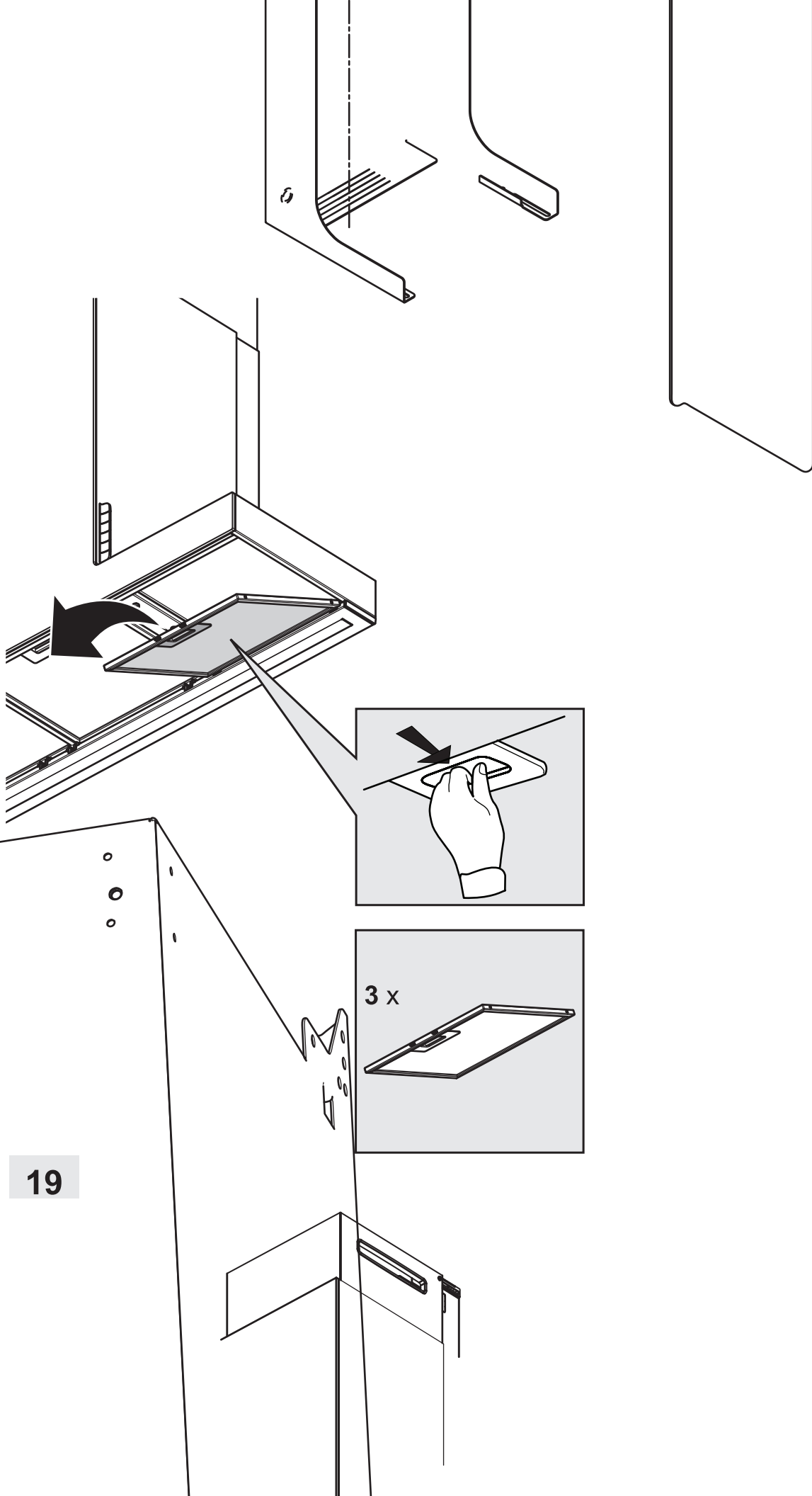


16.4

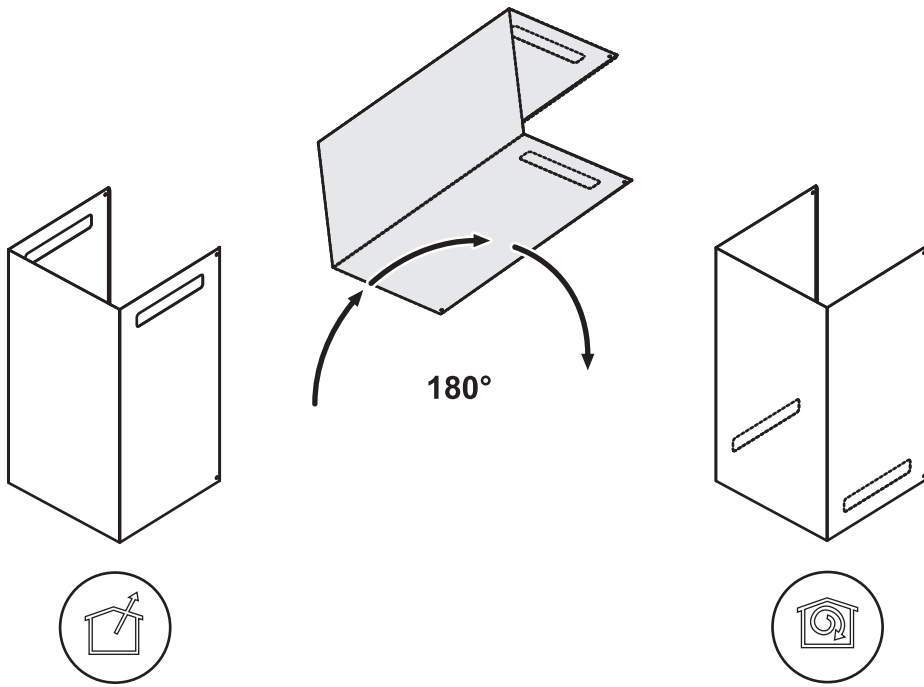
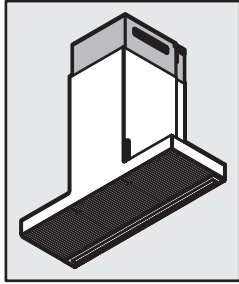


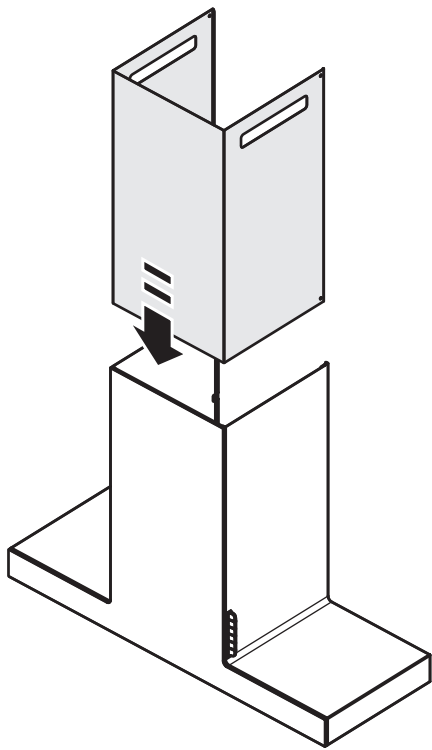
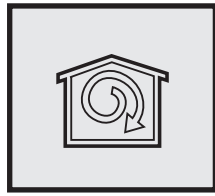
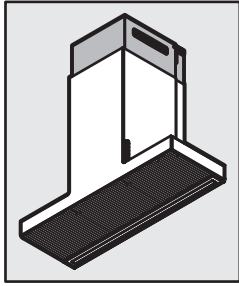




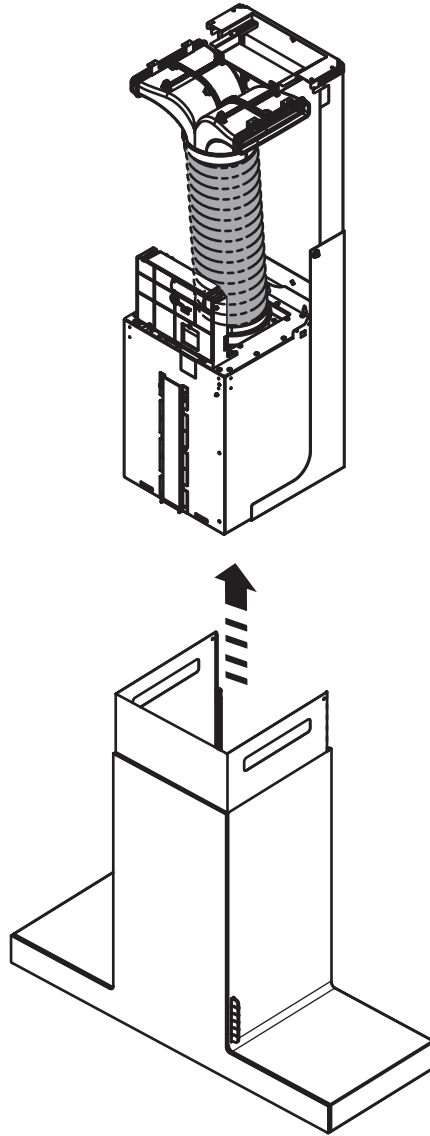


19

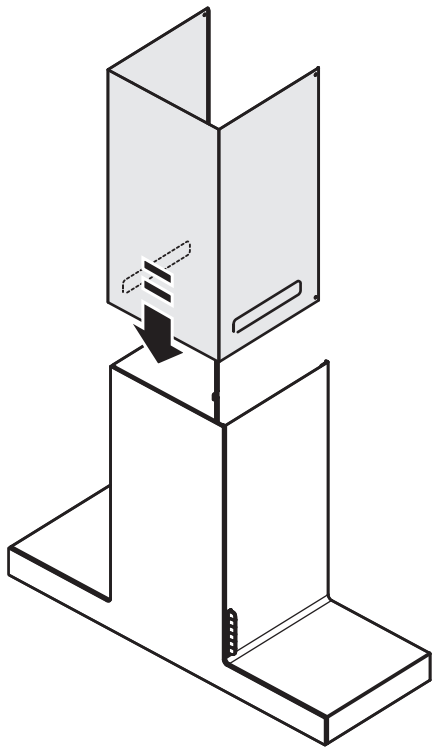
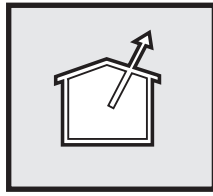
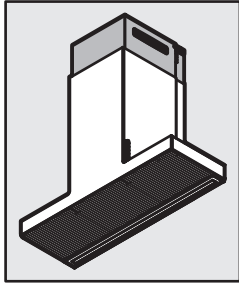




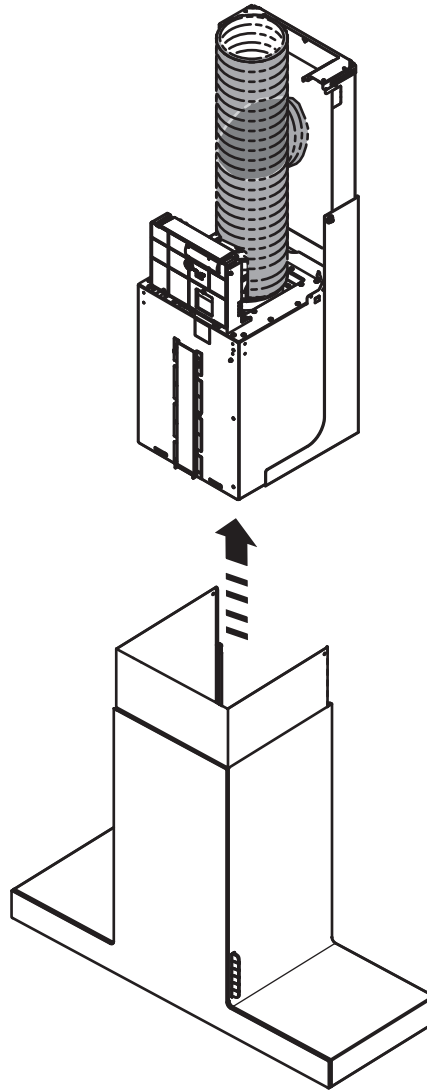
21



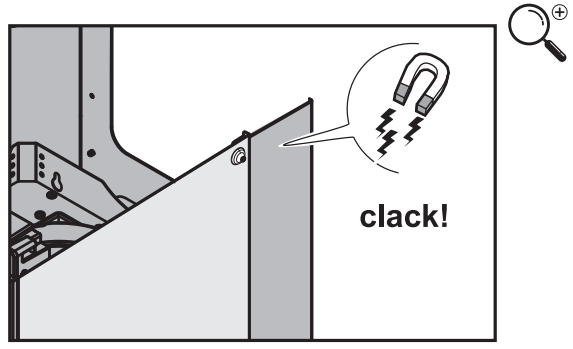
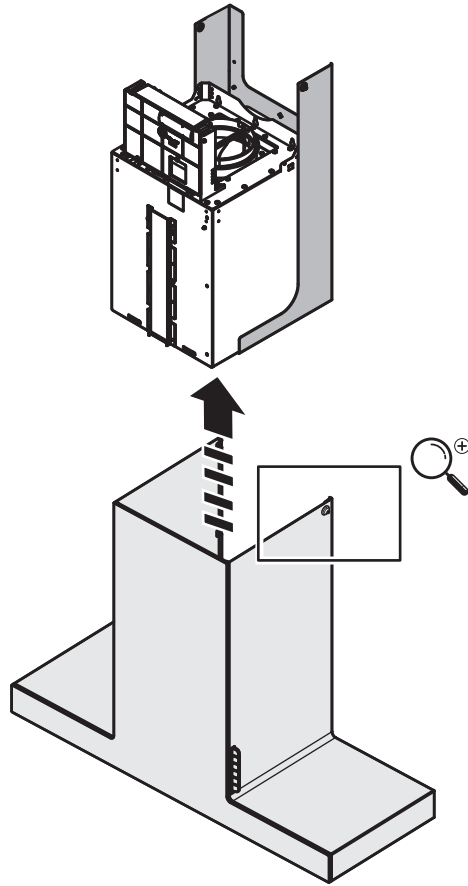
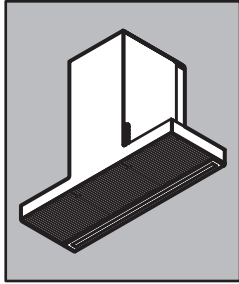
21.1

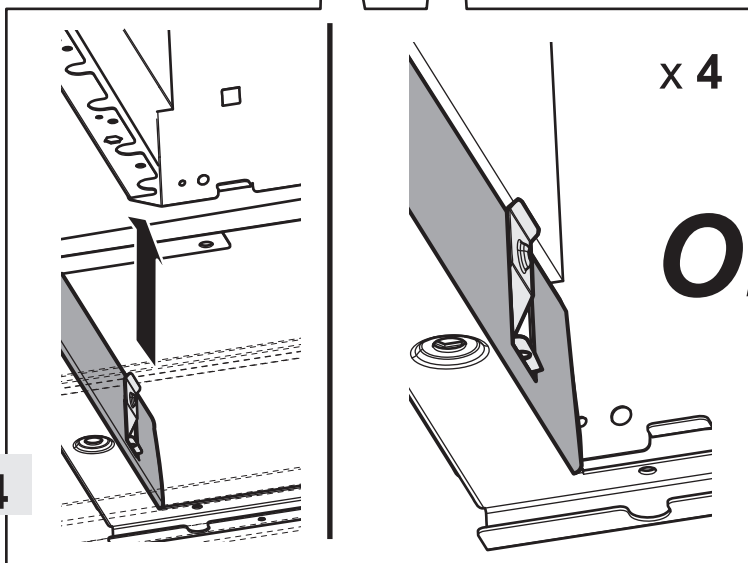
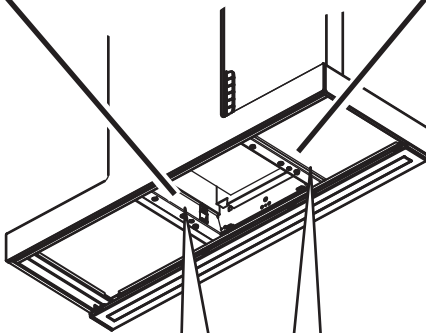
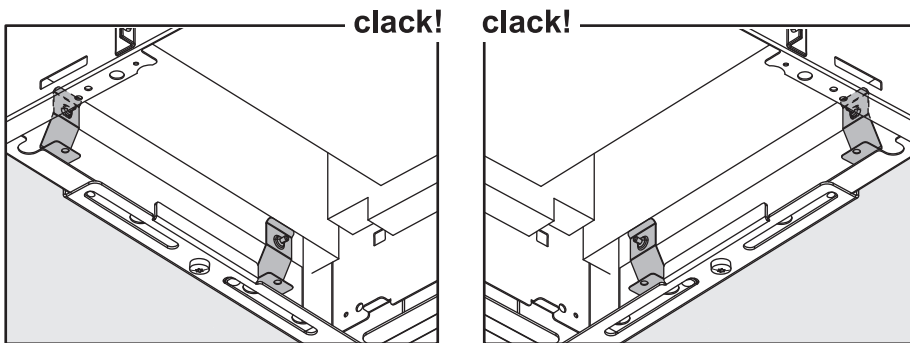


22

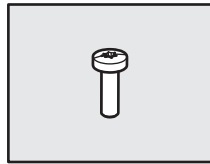
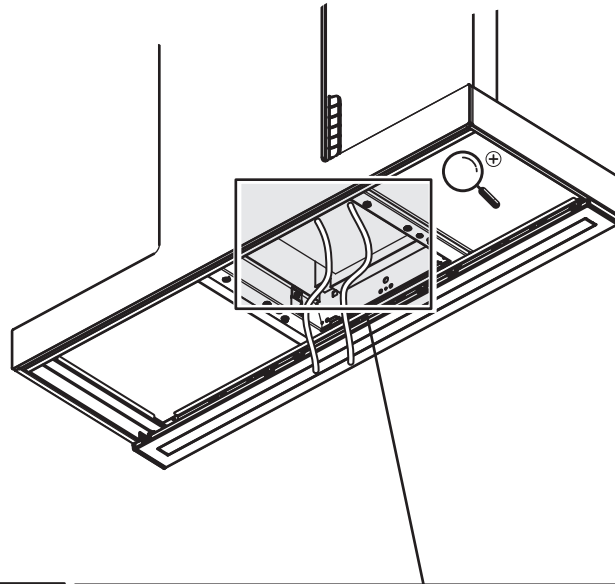


22.1

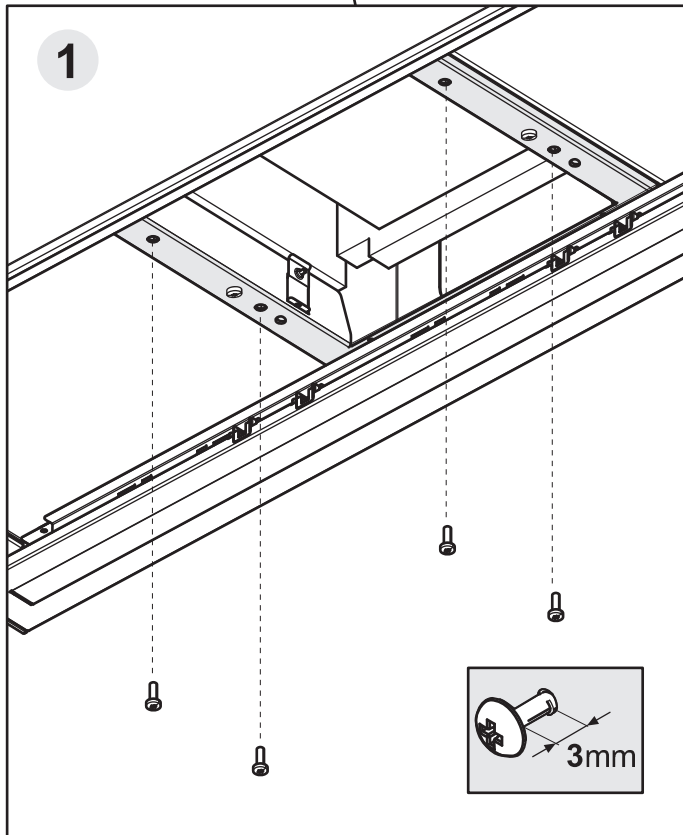




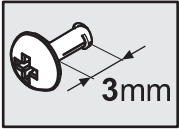
24



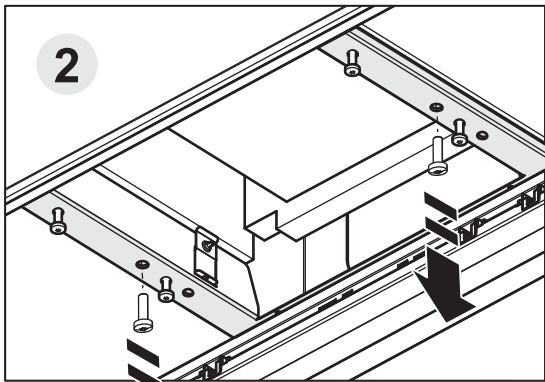
4 x M5x16mm



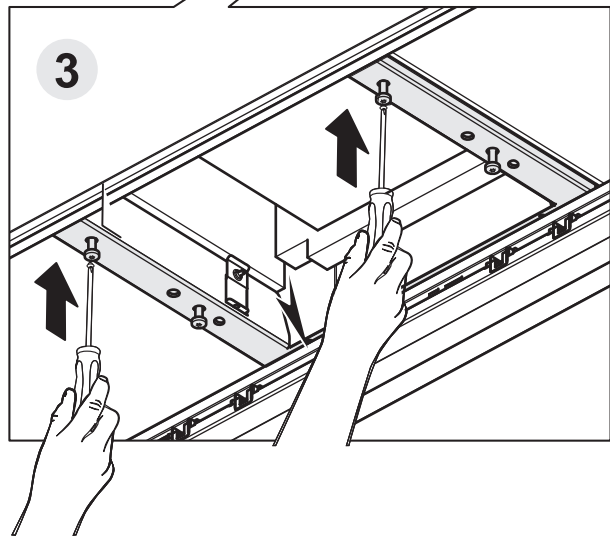
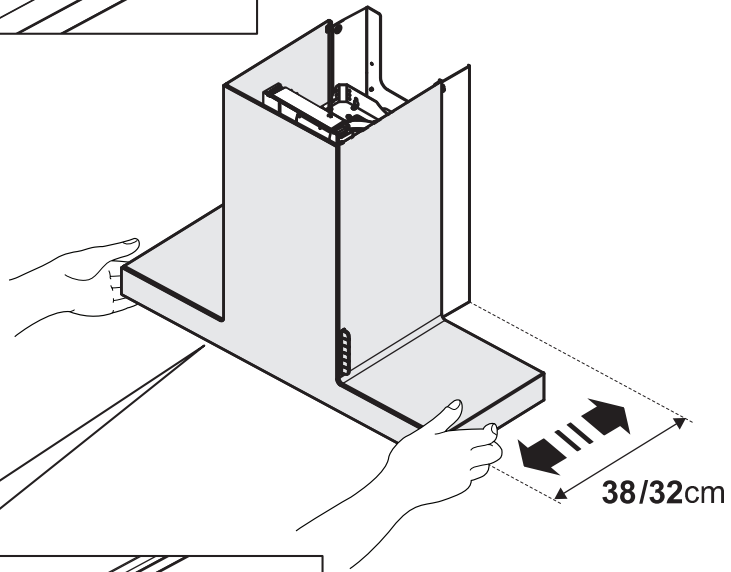
25



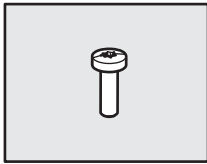




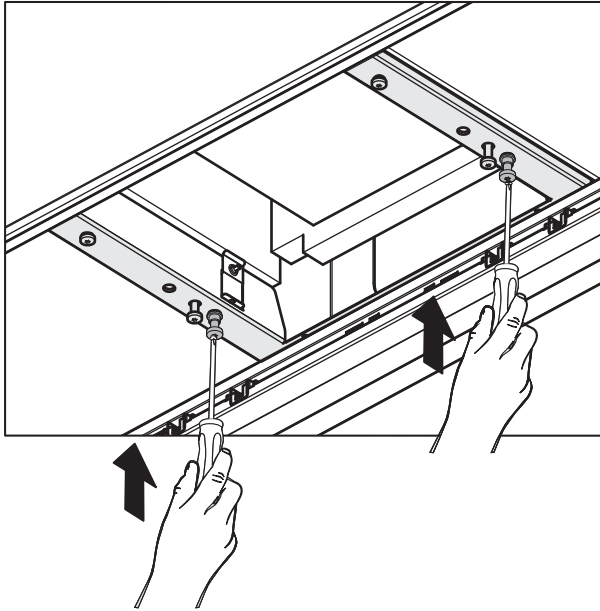
25.1

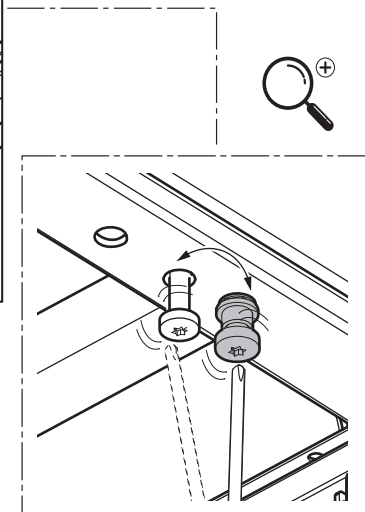
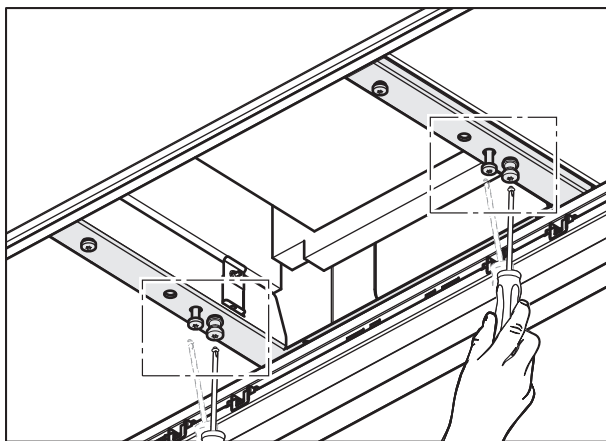
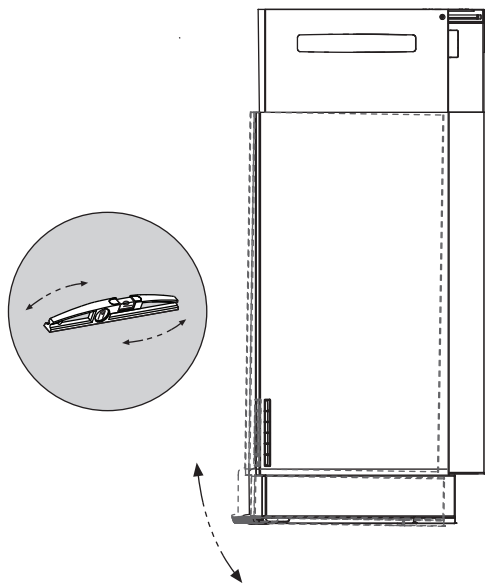


25.2

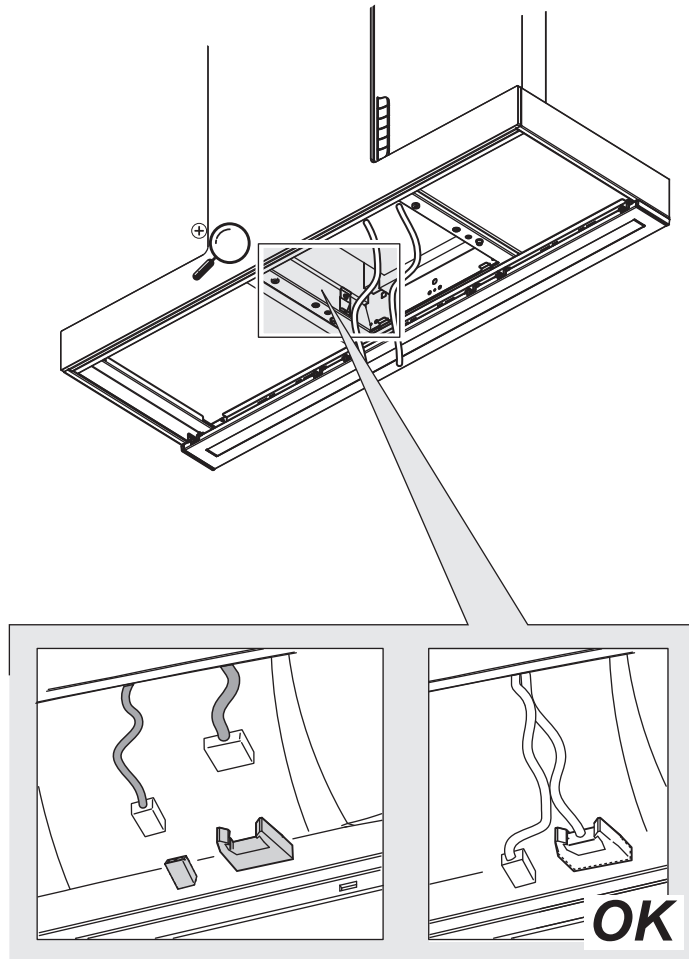


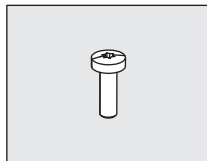
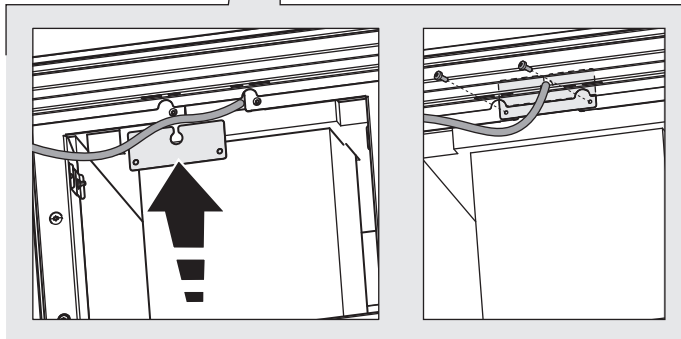
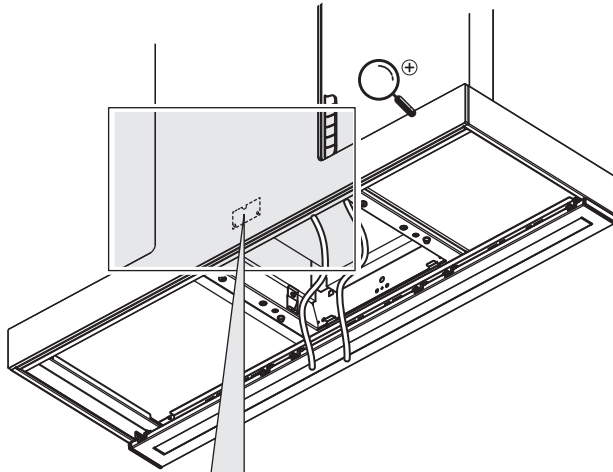
2 x Ø5x16mm



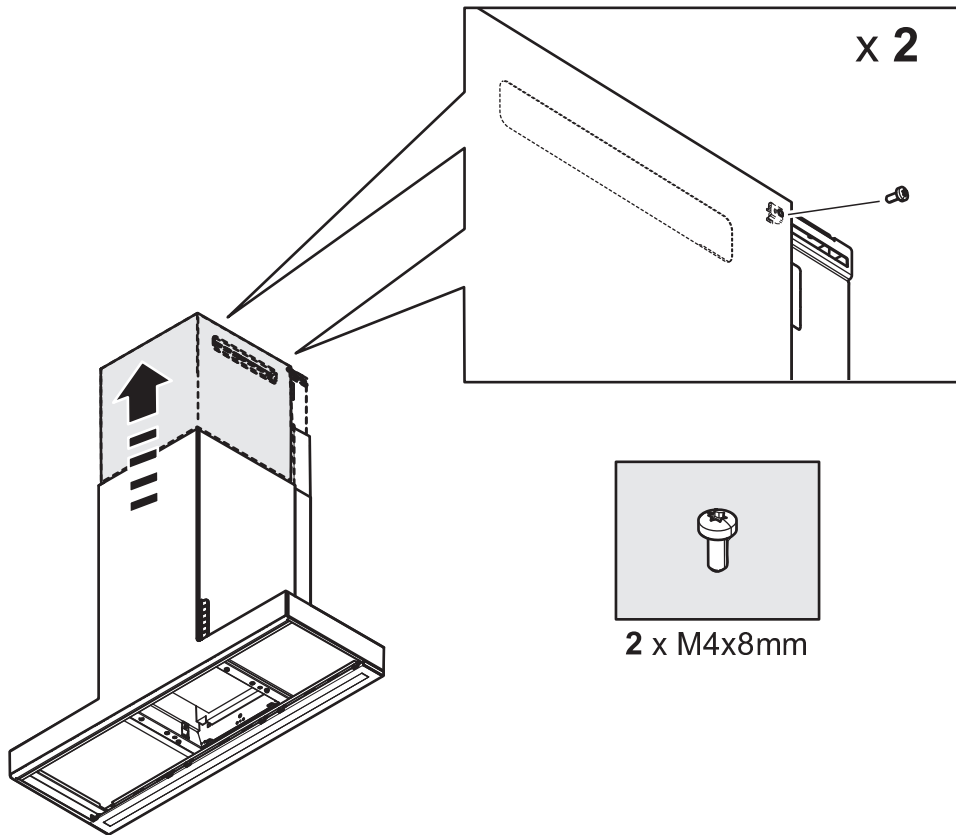
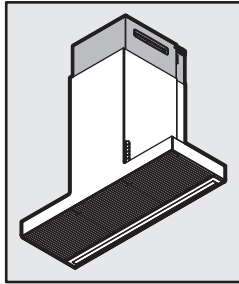


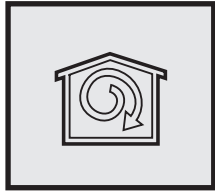
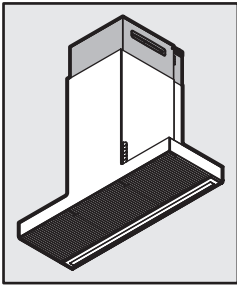
27



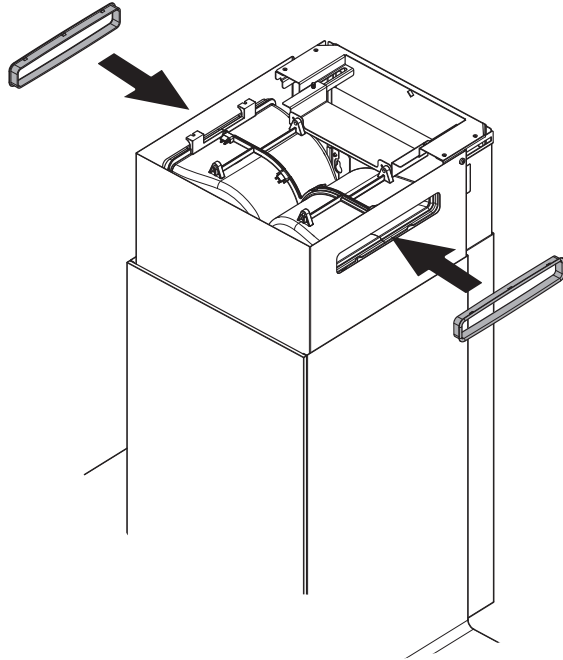
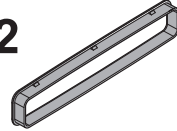


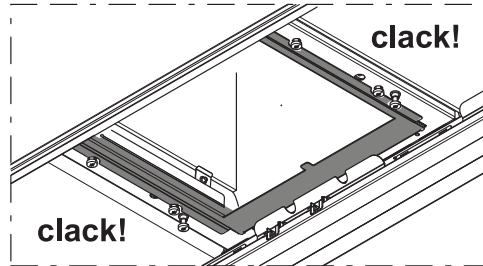
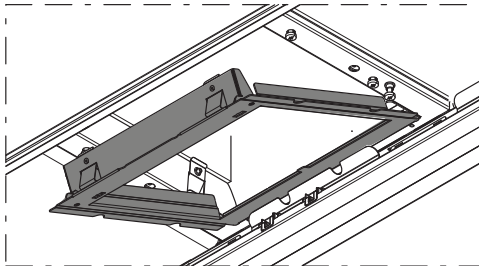
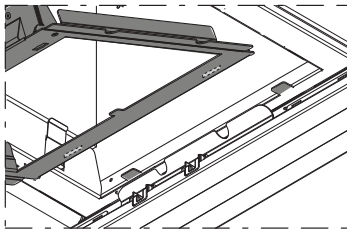
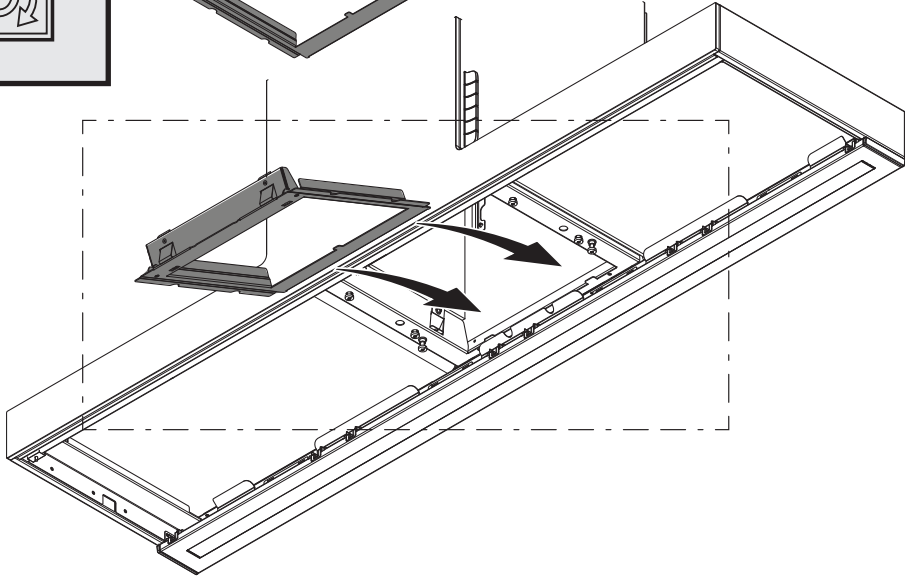
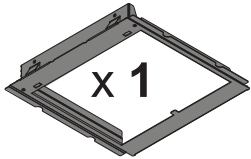
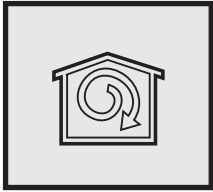
2 x Ø3,5x9,5mm





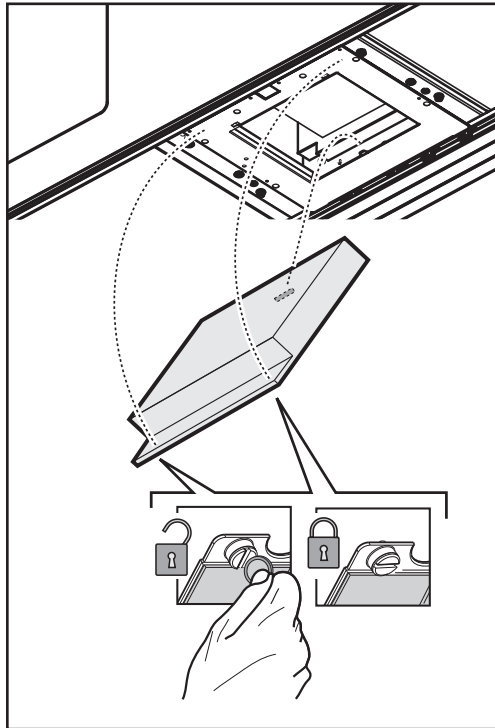
x 2

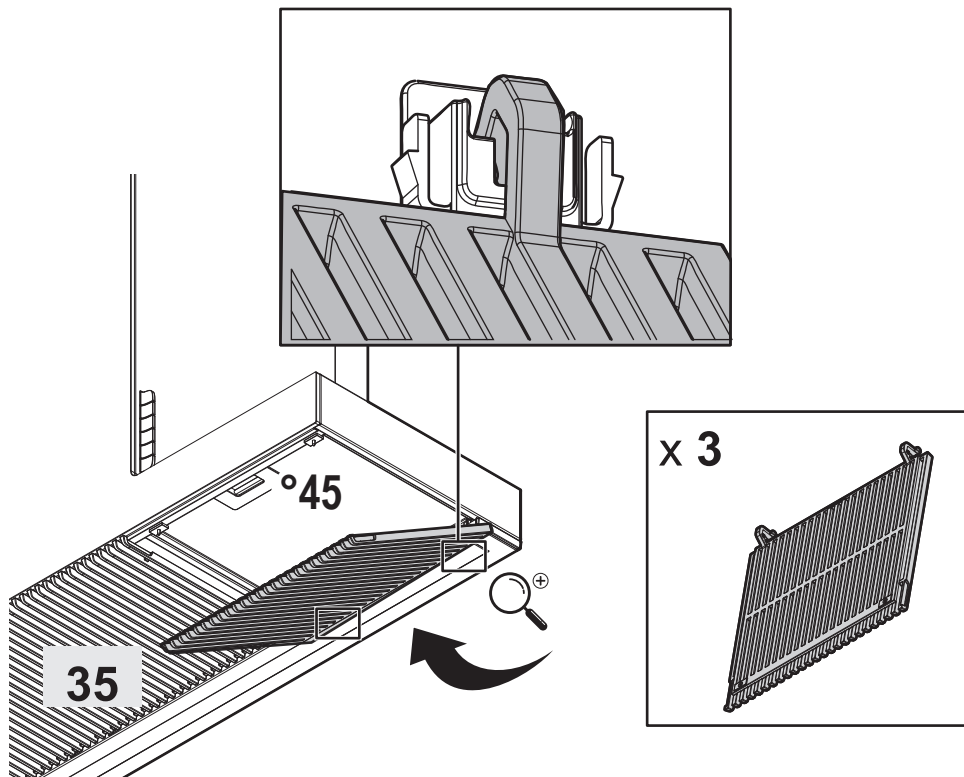
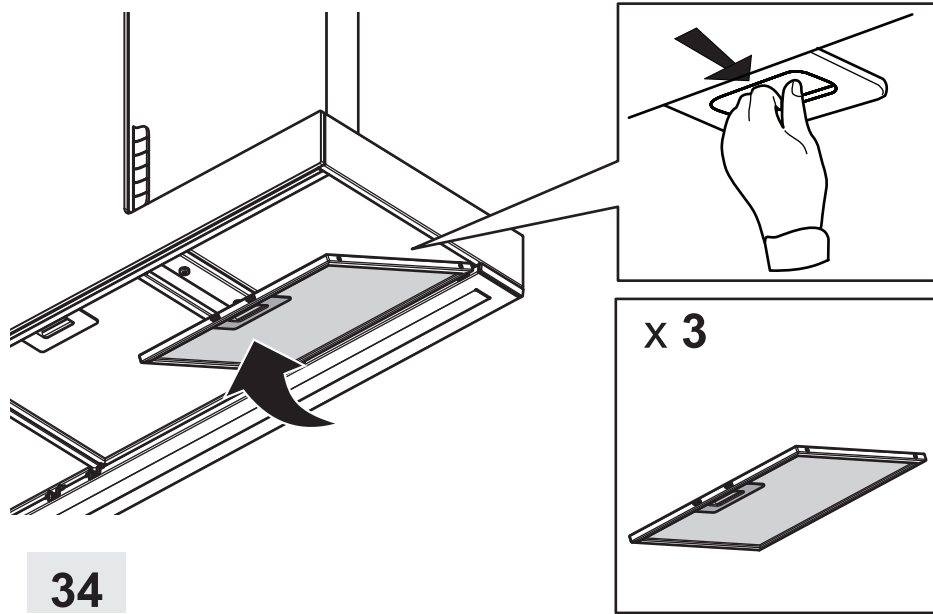




**OK!**









LIB0157393 Ed. 08/19

[www.elica.com](http://www.elica.com)