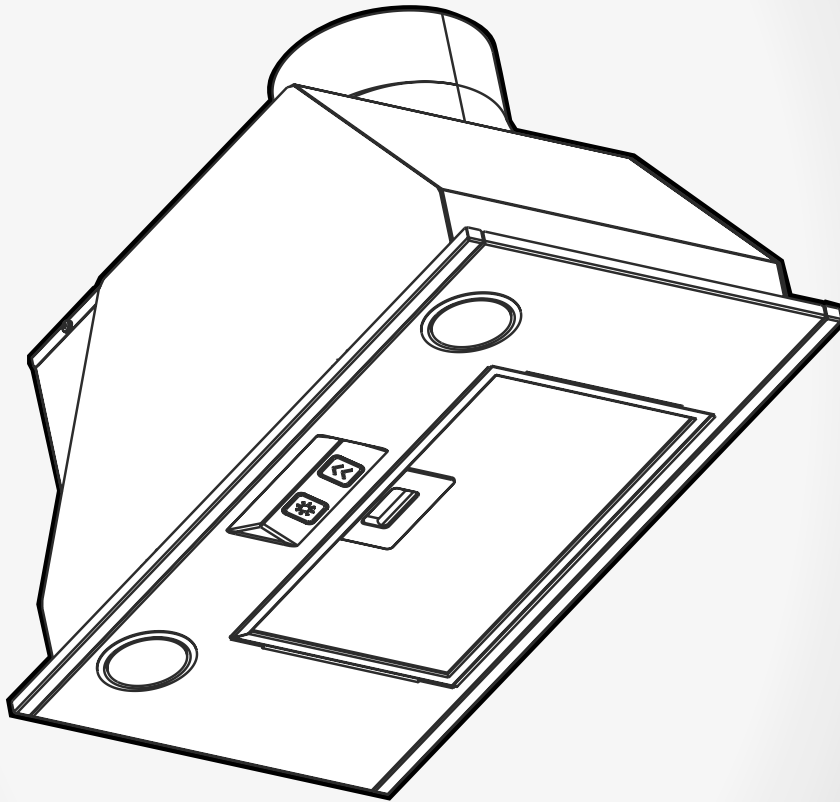


Use, Care, and Installation Guide

Guide
d'utilisation,
d'entretien et
d'installation

Guía de
instalación, uso y
mantenimiento



READ AND SAVE THESE
INSTRUCTIONS

LISEZ CES
INSTRUCTIONS ET
CONSERVEZ-LES

LEA Y CONSERVE
ESTAS INSTRUCCIONES

Models: | EAS428S2

Contents

Important Safety Notice.....3

Electrical Requirements.....4

Venting Requirements.....4

Product Dimentions and Clearances5

List of Materials.....6

 Parts not supplied.....6

Ducting Options7

 Ducting version.....7

 Ductless (Recirculating)7

Installation Instructions.....8

Install Range Hood10

Connect the Vent System.....11

Complete Installation.....11

Description of the Hood.....11

 Control.....11

CFM Reduction System12

Maintenance.....12

Accesories.....13

Warranty.....14

**APPROVED FOR RESIDENTIAL APPLIANCES
FOR RESIDENTIAL USE ONLY
READ AND SAVE THESE INSTRUCTIONS**

**PLEASE READ ENTIRE INSTRUCTIONS BEFORE PROCEEDING.
INSTALLATION MUST COMPLY WITH ALL LOCAL CODES.**

IMPORTANT: Save these Instructions for the Local Electrical Inspector’s use.

INSTALLER: Please leave these Instructions with this unit for the owner.

OWNER: Please retain these instructions for future reference.

Safety Warning: Turn off power circuit at service panel and lock out panel, before wiring this appliance.

Requirement: 120 V AC, 60 Hz. 15 or 20 A Branch Circuit.

⚠ Important Safety Notice

⚠ CAUTION

FOR GENERAL VENTILATING USE ONLY. DO NOT USE TO EXHAUST HAZARDOUS OR EXPLOSIVE MATERIALS OR VAPOURS.

⚠ WARNING

TO REDUCE THE RISK OF FIRE, ELECTRIC SHOCK, OR INJURY TO PERSONS, OBSERVE THE FOLLOWING:

- A. Use this unit only in the manner intended by the manufacturer. If you have questions, contact the manufacturer.
- B. Before servicing or cleaning the unit, switch power off at service panel and lock service panel disconnecting means to prevent power from being switched on accidentally. When the service cannot be locked, securely fasten a prominent warning device, such as a tag, to the service panel.
- C. Installation work and electrical wiring must be done by qualified person(s) in accordance with all applicable codes & standards, including fire-rated construction.
- D. Sufficient air is needed for proper combustion and exhausting of gases through the flue (Chimney) of fuel burning equipment to prevent back-drafting. Follow the heating equipment manufacturers guideline and safety standards such as those published by the national fire protection association (NFPA), the american society for heating, refrigeration and air conditioning engineers (ASHRAE), and the local code authorities.
- E. When cutting or drilling into wall or ceiling, do not damage electrical wiring and other hidden utilities.
- F. Ducted fans must always be vented to the outdoor.

⚠ CAUTION

To reduce risk of fire and to properly exhaust air, be sure to duct air outside - do not vent exhaust air into spaces within walls, ceilings, attics, crawl spaces, or garages.

⚠ WARNING

TO REDUCE THE RISK OF FIRE, USE ONLY METAL DUCT WORK.

Install this hood in accordance with all requirements specified.

⚠ WARNING

To reduce the risk of fire or electric shock, do not use this hood with any external solid state speed control device.

⚠ WARNING

TO REDUCE THE RISK OF A RANGE TOP GREASE FIRE.

- a) Never leave surface units unattended at high settings. Boilovers cause smoking and greasy spillovers that may ignite. Heat oils slowly on low or medium settings.
- b) Always turn hood ON when cooking at high heat or when flambeing food (I.e. Crepes Suzette, Cherries Jubilee, Peppercorn Beef Flambe').
- c) Clean ventilating fans frequently. Grease should not be allowed to accumulate on fan or filter.
- d) Use proper pan size. Always use cookware appropriate for the size of the surface element.
- e) Suitable for use in household cooking area.

⚠ WARNING

TO REDUCE THE RISK OF INJURY TO PERSONS, IN THE EVENT OF A RANGE TOP GREASE FIRE, OBSERVE THE FOLLOWING:^a

- a) SMOTHER FLAMES with a close-fitting lid, cookie sheet, or other metal tray, then turn off the gas burner or the electric element. BE CAREFUL TO PREVENT BURNS. If the flames do not go out immediately, EVACUATE AND CALL THE FIRE DEPARTMENT.
- b) NEVER PICK UP A FLAMING PAN - you may be burned.
- c) DO NOT USE WATER, including wet dishcloths or towels - a violent steam explosion will result.
- d) Use an extinguisher ONLY if:
 - 1) You know you have a class ABC extinguisher, and you already know how to operate it.
 - 2) The fire is small and contained in the area where it started.
 - 3) The fire department is being called.
 - 4) You can fight the fire with your back to an exit.

^aBased on "Kitchen Fire Safety Tips" published by NFPA.

OPERATION

Always leave safety grills and filters in place. Without these components, operating blowers could catch onto hair, fingers and loose clothing.

The manufacturer declines all responsibility in the event of failure to observe the instructions given here for installation, maintenance and suitable use of the product. The manufacturer further declines all responsibility for injury due to negligence and the warranty of the unit automatically expires due to improper maintenance.

⚠ CAUTION

Automatically Operated Device - To Reduce The Risk Of Injury Disconnect From Power Supply Before Servicing.

Electrical Requirements

⚠ WARNING

PLUG INTO A GROUNDED 3 PRONG OUTLET.
DO NOT REMOVE GROUND PRONG.
DO NOT USE AN ADAPTER.
DO NOT USE AN EXTENSION CORD.
FAILURE TO FOLLOW THESE INSTRUCTIONS CAN RESULT
IN DEATH, FIRE, OR ELECTRICAL SHOCK.

IMPORTANT: The range hood must be electrically grounded in accordance with local codes and ordinances, or in the absence of local codes, with the National Electrical Code, ANSI/NFPA 70 (latest edition) or Canadian Electrical Code, CSA C22.1 No. 0-M91 (latest edition).

If codes permit and a separate ground wire is used, it is recommended that a qualified electrical installer determine that the ground path is adequate.

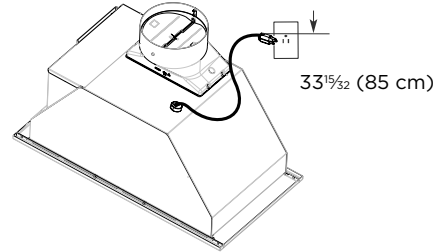
A copy of the above code standards can be obtained from:

National Fire Protection Association
1 Batterymarch Park
Quincy, MA 02169-7471
CSA International
8501 East Pleasant Valley Road
Cleveland, Ohio 44131-5575

- A 120 volt, 60 Hz, AC only, 15- or 20-amp, fused electrical circuit is required. A time-delay fuse or circuit breaker is also recommended. It is recommended that a separate circuit serving only this range hood be provided.
- This range hood is equipped with a power supply cord having a 3 prong grounding plug.
- To minimize possible shock hazard, the cord must be plugged into a mating, 3 prong, grounding-type outlet, grounded in accordance with local codes and ordinances. If a mating outlet is not available, it is the personal responsibility and

obligation of the customer to have the properly grounded outlet installed by a qualified electrician.

- The grounded 3 prong outlet is to be located inside the cabinet above the range hood at a maximum distance of $33\frac{1}{2}$ " (85.0 cm) from where the power cord exits the hood. The grounded 3 prong outlet must be accessible after installation of the range hood. See illustration:



GROUNDING INSTRUCTIONS

- This range hood must be grounded. In the event of an electrical short circuit, grounding reduces the risk of electric shock by providing an escape wire for the electric current.
- This range hood is equipped with a cord having a grounding wire with a grounding plug. The plug must be plugged into an outlet that is properly installed and grounded.

WARNING: Improper grounding can result in a risk of electric shock.

Consult a qualified electrician if the grounding instructions are not completely understood, or if doubt exists as to whether the range hood is properly grounded.

Do not use an extension cord. If the power supply cord is too short, have a qualified electrician install an outlet near the range hood.

SAVE THESE INSTRUCTIONS

Venting Requirements

- Vent system must terminate to the outdoors, except for no vented (recirculating) installations.
- Do not terminate the vent system in an attic or other enclosed area.
- Do not use a 4" (10.2 cm) laundry-type wall cap.
- Rigid metal vent is recommended. Plastic or metal foil vent is not recommended. The length of vent system and number of elbows should be kept to a minimum to provide efficient performance.

For the most efficient and quiet operation:

- Use no more than three 90° elbows.
- Make sure there is a minimum of 24" (61 cm) of straight vent between the elbows if more than 1 elbow is used.
- Do not install 2 elbows together.
- Use clamps to seal all joints in the vent system.
- The vent system must have a damper.
- Use caulking to seal exterior wall or roof opening around the cap.
- The size of the vent should be uniform.

Cold weather installations

An additional back draft damper non return valve should be installed to minimize backward cold air flow and a thermal break should be installed to minimize conduction of outside temperatures as part of the vent system. The damper non return valve should be on the cold air side of the thermal break.

The break should be as close as possible to where the vent system enters the heated portion of the house.

Makeup air

Local building codes may require the use of makeup air systems when using ventilation systems with greater than specified CFM of air movement. The specified CFM varies from locale to locale.

Consult your HVAC professional for specific requirements in your area.

Product Dimensions and Clearances

Location requirements:

IMPORTANT: Observe all governing codes and ordinances. Have a qualified technician install the range hood. It is the installer's responsibility to comply with installation clearances specified on the model/serial rating plate. The model/serial rating plate is located inside the liner behind the filter on the left wall of the range hood.

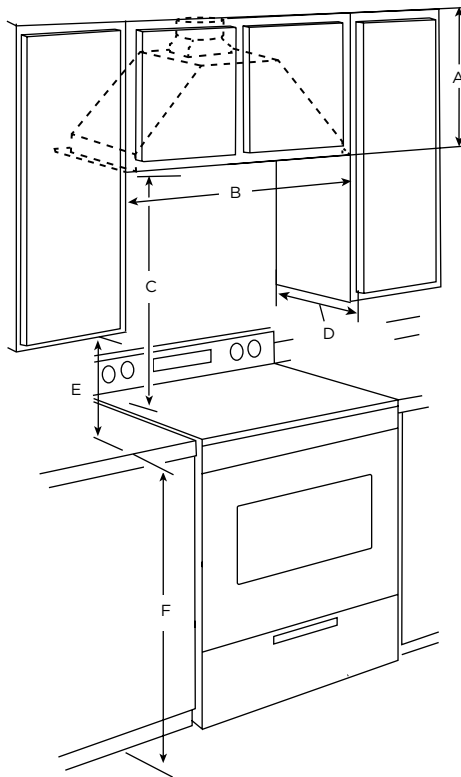
- Range hood location should be away from strong draft areas, such as windows, doors, and strong heating vents.
- Cabinet opening dimensions that are shown must be used. Given dimensions provide minimum clearance. Consult your cooktop/ range manufacturer installation instructions before making any cutouts.
- Grounded electrical outlet is required. See "Electrical Requirements" section.

The range hood is factory set for vented installations through the roof or wall. For non-vented (recirculating) installations see "Non-Vented (recirculating) Installation Through the Soffit/Cabinet" in the "Prepare Location" section.

Recirculation Kit Part is available from your dealer or an authorized parts distributor. All openings in ceiling and wall where range hood will be installed must be sealed.

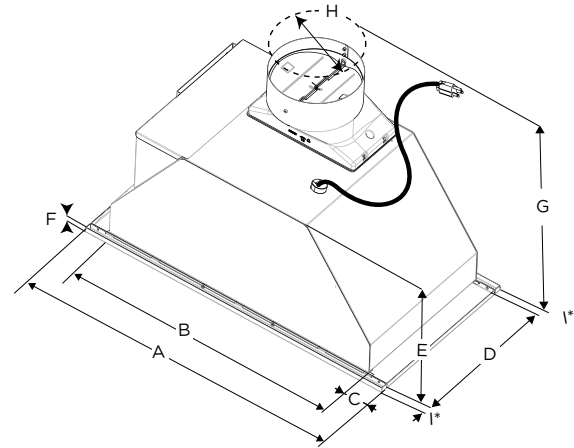
For mobile home installations

The installation of this range hood must conform to the Manufactured Home Construction Safety Standards, Title 24 CFR, Part 328 (formerly the Federal Standard for Mobile Home Construction and Safety, title 24, HUD, Part 280) or when such standard is not applicable, the standard for Manufactured Home Installation 1982 (Manufactured Home Sites, Communities and Setups) ANSI A225.1/NFPA 501A, or latest edition, or with local codes.



- A. 12" (30.5 cm) min. upper cabinet height
 B. 30" (76.2 cm) cabinet opening width*
 C. 24" (61 cm) min. 36" (91.4 cm) suggested max. bottom of cabinet to cooking surface
 D. 12" (30.48 cm) cabinet opening depth*
 E. 15" (38.1 cm) min. clearance upper cabinet to countertop
 F. 36" (91.4 cm) base cabinet height

***NOTE:** This range hood is set to 30" (76.2 cm) cabinet width x 12" (30.5 cm) deep cabinets.



| | EAS428S2 |
|-----------|---|
| A | 28 ⁷ / ₆₄ " (71.8 cm) |
| B | 26" (66 cm) |
| C | 1 ⁹ / ₆₄ " (3 cm) |
| D | 10 ³ / ₄ " (27.3 cm) |
| E | 9 ⁷ / ₃₂ " (24.2 cm) |
| F | 0 ² / ₆₄ " (1 cm) |
| G | 14 ⁹ / ₁₆ " (37 cm) |
| H | 6" (15.2 cm) |
| I* | 1/2" (1.27 cm) |

I - Metallic spacers has to be installed and used when cabinet depth is greater than 12".*

For gas range installation: Mount this hood so that the bottom edge is at minimum 30" (76.2 cm) above the cooking surface.
 For electric range installation: mount this hood so that the bottom is not less than 24" (61 cm) above the cooking surface.

List of Materials

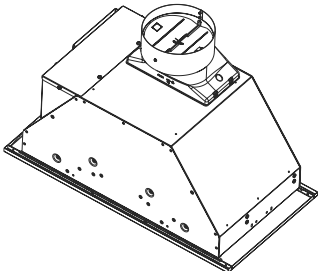


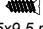

Removing the packaging.

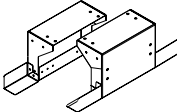


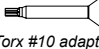


⚠ CAUTION

Remove carton carefully, Wear gloves to protect against sharp edges.

⚠ WARNING

Remove the protective film covering the product before putting into operation.

| Supplied Part | Pieces |
|---|--------|
|  <p><i>Hood assembly and LED lamps already installed</i></p> | 1 |
|  <p>4.5x13 mm</p> | 8 |
|  <p>4.2x15 mm</p> | 2 |
|  <p>3.5x9.5 mm</p> | 4 |
|  <p>4.2x19 mm</p> | 8 |

| Supplied Part | Pieces |
|--|--------|
|  <p>Mounting brackets</p> | 2 |
|  <p>Metal spacers (for use when cabinet depth is greater than 12")</p> | 2 |
|  <p>3.5x9.5 mm</p> | 6 |
|  <p>Torx #10 adapter</p> | 1 |
|  <p>Ø 6.4x18 mm washers</p> | 8 |
|  <p>Ø 6.4x18 mm washers</p> | 8 |

Parts not supplied

Tools/Materials required

- Level
- Drill with 1/4" (3,2 cm), 1/8" (3,2 mm), y 1/16" (4,8 mm) drill bits
- Pencil
- Pliers
- Tape measure or ruler
- Caulking gun and weatherproof caulking compound
- Saber or keyhole saw
- Metal snips
- Vent clamps
- Screwdrivers:
 - Flat-blade
 - Phillips

Parts needed

- 6" (15.2 cm) round metal vent system

| KIT | # Part | |
|--------------------------|----------|----------|
| Recirculating Kit | KIT02770 | |
| Grease filter | GF08PA | |
| Hood Liner | KIT02773 | KIT02774 |

Ducting Options

Closely follow the instructions set out in this manual.

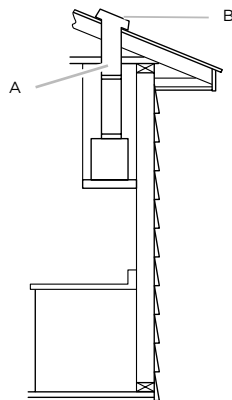
All responsibility, for any eventual inconveniences, damages or fires caused by not complying with the instructions in this manual, is declined.

Ducting version

This range hood is factory set for venting through the roof or through the wall. The vent system needed for installation is not included.

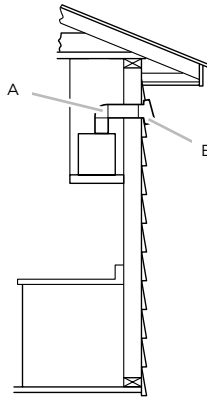
A 6" (15.2 cm) round vent system is recommended.

Roof Venting



A. 6" (15.2 cm) vent through the roof
B. B. Roof cap

Wall Venting



A. 6" (15.2 cm) vent through the wall
B. B. Wall cap

Preparation

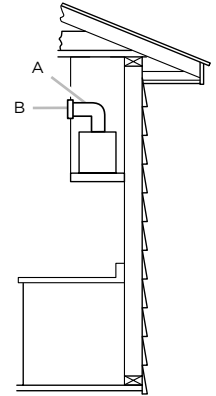
Fittings material is provided to secure the hood to most types of walls/ceilings.

However, a qualified technician must verify suitability of the materials in accordance with the type of wall/ceiling.

Before making cutouts, make sure there is proper clearance within the ceiling or wall for exhaust vent.

Ductless (Recirculating)

In cases where it should not be possible to discharge cooking fumes and vapour to the outside. You can apply the recirculating venting method by purchasing the Recirculation Kit.



A. 6" (15.2 cm) vent through the cabinet
B. B. Round recirculating grid

⚠ CAUTION

For gas cooktop & range installations: Mount the hood so the bottom is at least 30" (76.2 cm) above the cooking surface. For electric/induction cooktop & range installations: Mount the hood so the bottom is at least 24" (61 cm) above the cooking surface.

There is no maximum mounting height, however, we recommend mounting the hood no greater than 36" (91.4 cm) above the cooking surface. For every inch (2.54 cm) above 36" (91.4 cm), fume and moisture capture efficiency diminishes at an increasing rate and may not deliver an acceptable level of ventilating performance. This hood is intended for household use.

PLEASE READ THE INSTALLATION MANUAL FOR SPECIFIC APPLICATION. Check your ceiling height and hood height before selecting your hood.

Installation Instructions

Prepare location

It is recommended that the vent system be installed before the range hood is installed.

- Before making cutouts, make sure there is proper clearance within the ceiling or wall for vent fittings.

- Making the cutout to the bottom of the cabinet may be easier to do prior to mounting the cabinet to the wall.

- 1 Disconnect power.
- 2 Determine which venting method to use: roof, wall, or non vented.
- 3 Select a flat surface for assembling the range hood. Place covering over that surface.

⚠ WARNING

EXCESSIVE WEIGHT HAZARD

USE TWO OR MORE PEOPLE TO MOVE AND INSTALL RANGE HOOD.

FAILURE TO DO SO CAN RESULT IN BACK OR OTHER INJURY.

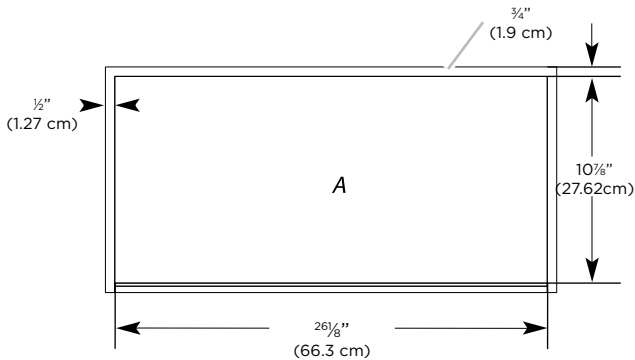
- 4 Using 2 or more people, lift range hood onto covered surface.

Range hood cabinet cutout

- 1 Use a saber saw or keyhole saw to cut out the cabinet bottom inside the cabinet frame.

NOTE: Frameless type cabinets require $\frac{3}{4}$ " (1.9 cm) front lip in the cabinet bottom. A $\frac{3}{4}$ " (1.9 cm) thick filler strip (not supplied) may be required for some types of cabinets. (See Step 3 in the "Install Range Hood" section).

Cut out dimensions (without spacers)



A. Bottom of cabinet cutout

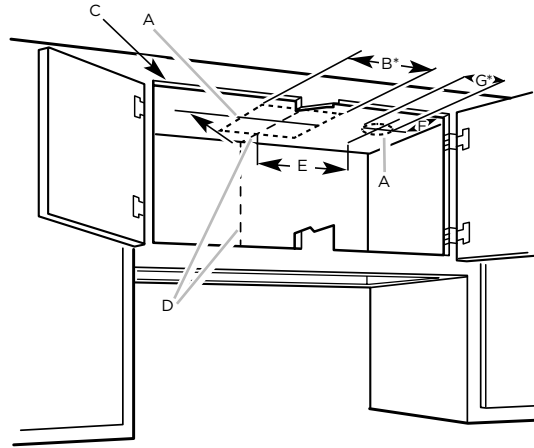
- 2 Complete cabinet preparation following the instructions for your type of venting. Determine venting cutout locations and cut out vent openings in the cabinets, walls and/ or soffit.

Venting outside through the roof

- 1 Measure and mark the lines as shown. Use a saber saw or keyhole saw to cut an opening through the top of the cabinet and the roof for the vent.

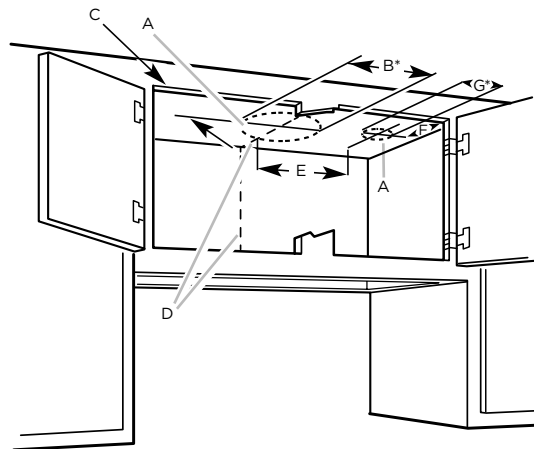
Cutout Chart

| Cabinet Height | Hole Shape and Size |
|----------------|--|
| 12" (30.5 cm) | A $8\frac{7}{64}$ " wide x $6\frac{1}{4}$ " deep (21 cm x 15.9 cm) rectangular opening in the cabinet top is required for damper transition clearance. |



- A. Cutout
- B. $8\frac{7}{64}$ " (21 cm) x $6\frac{1}{4}$ " (15.9 cm)*
- C. $7\frac{3}{4}$ " (19.7 cm) centerline to cabinet front
- D. Centerline of the cabinet
- E. $4\frac{1}{2}$ " (10.6 cm)
- F. $4\frac{9}{10}$ " (12.5 cm) center to cabinet front
- G. \emptyset (6 cm)*

| Cabinet Height | Hole Shape and Size |
|----------------|--|
| 15" (38.1 cm) | A $6\frac{1}{4}$ " (15.9 cm) diameter round opening is required. |

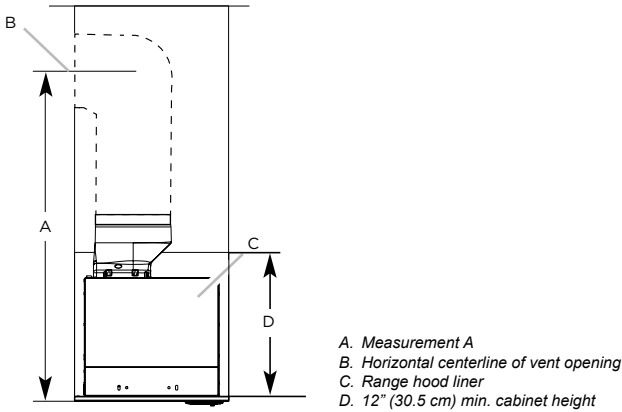


- A. Cutout
- B. \emptyset $6\frac{1}{4}$ " (15.9 cm)*
- C. $7\frac{1}{2}$ " (19 cm) centerline to cabinet front
- D. Centerline of the cabinet
- E. $4\frac{1}{2}$ " (10.6 cm)
- F. $4\frac{9}{10}$ " (12.5 cm) center to cabinet front
- G. \emptyset (6 cm)*

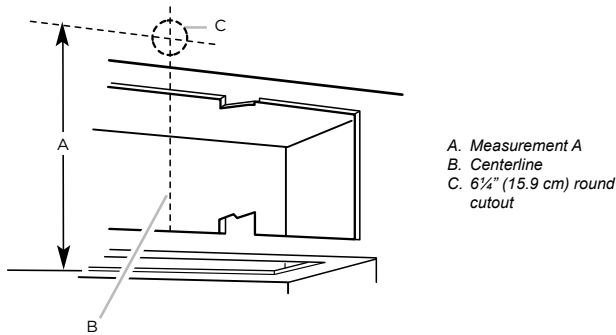
- 1 Install the 6" (15.2 cm) vent transition to the top of the range hood liner (if removed for shipping) using two 3.5 x 9.5 mm screws. Assemble the vent duct that you will use over the 6" (15.2 cm) vent transition.

Venting outside through the wall

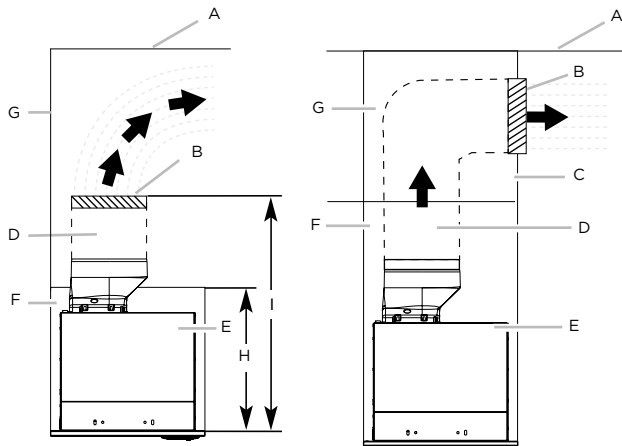
- 1 Measure from the bottom of the range hood liner to the horizontal centerline of the vent opening (A).



- 2 Remove the vent duct from the range hood liner. Transfer measurement A to the cabinet back wall. Measure from the underside of the cabinet.
- 3 Mark the cutout as shown. Use a saber saw or keyhole saw to cut a round opening through the back of the cabinet and the exterior wall for the vent.

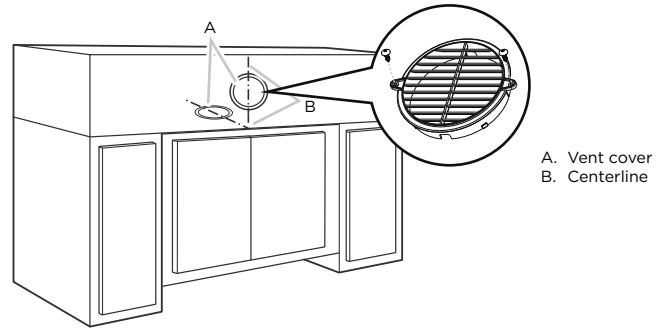


Non-vented (recirculating) installation through the soffit/cabinet



- A. Ceiling
B. Vent cover
C. Soffit
D. 6" (15.2 cm) vent
E. Range hood
- A. Cabinet Wall
B. 12" (30.5 cm) min. cabinet height
C. 17" (43.2 cm) min. vent cover height

- 1 Measure and mark the centerline of the cabinet to the soffit above.
- 2 Measure from the bottom of the cabinet to the centerline of the where the vent will come through the soffit. Mark the location and use a saber saw or keyhole saw to cut a 5 3/4" (14.6 cm) hole for the vent cover.

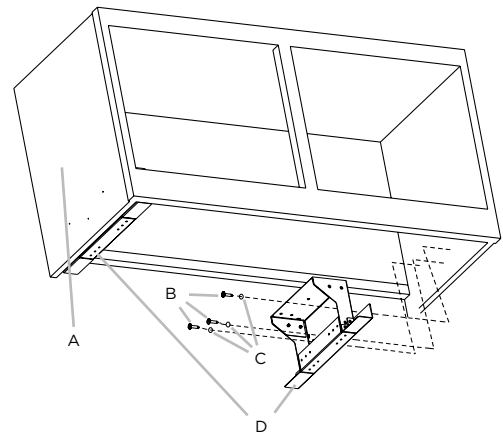


- *NOTE:** For 12" (30.5 cm) high cabinets a 6 1/4" deep x 8" wide (14.6 cm x 20.3 cm) rectangular opening in the cabinet top is required for damper transition clearance.
- 3 Consider the cutout chart measures to make the openings on the cabinet.

Complete preparation

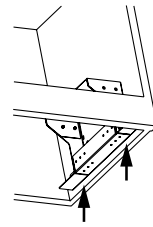
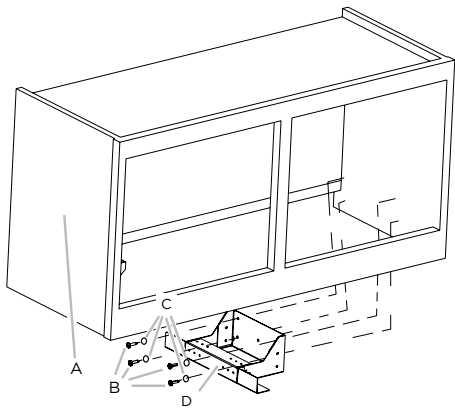
- 1 If not yet attached, install the 6" (15.2 cm) vent transition the top of the range hood liner using two 3.5 x 9.5 mm screws.
- 2 Locate side mounting bracket flush 1 cm to the bottom of the cabinet side and against the inside of the front cabinet face. Orient the bracket depending on the width of your cabinet as depicted in the diagrams below. Drill 1/8" (3 mm) pilot holes in 6 places, attach a bracket using three 4.5 x 13 mm screws to each side of the cabinet, and tighten. Additional washers in hardware package are supplied as spacers for cabinet walls thinner than 1/2" (13 mm).

Bracket Orientation for 30" (76.2 cm) Cabinet



- A. 30" (76.2 cm) cabinet
B. Screws - 4.5 x 13 mm (8)
C. Washers (optional)
D. Mounting bracket (2) (position for 30" [76.2 cm] cabinet)

Bracket Orientation for 30" (76.2 cm) Cabinet



Move the bracket $\frac{1}{8}$ " (1 cm) from the bottom side of the cabinet

- 3 Install the vent system according to the method needed. Use caulking to seal the exterior wall or roof opening.

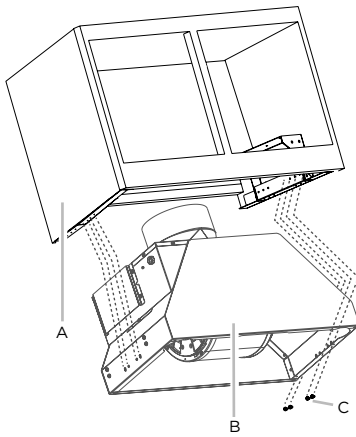
- A. 30" (76.2 cm) cabinet
- B. Screws - 4.5 x 13 mm (8)
- C. Washers (optional)
- D. Mounting bracket (2) (position for 30" [76.2 cm cabinet])

Install Range Hood

⚠ WARNING

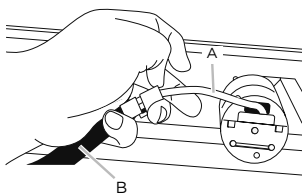
EXCESSIVE WEIGHT HAZARD.
USE TWO OR MORE PEOPLE TO MOVE AND INSTALL RANGE HOOD. FAILURE TO DO SO CAN RESULT IN BACK OR OTHER INJURY.

- 1 Using 2 or more people, lift the hood liner into its mounted location. Attach with four 4.2 x 19 mm screws into the slotted openings. Do not tighten screws.
- 2 Center the canopy in the cabinet. Align the bottom of the canopy with the bottom of the cabinet. Install four 4.2 x 19 mm screws into the hood canopy assembly and tighten all (8) mounting screws.



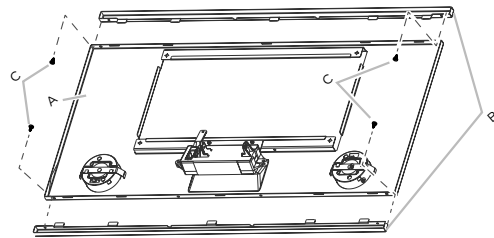
- A. Cabinet
- B. Hood liner canopy assembly
- C. Screws - 4.2 x 19 mm (8)

- 3 Remove the metal grease filters from the face panel.
- 4 Connect the lamps connector to the connector present inside the hood as shown in drawing.

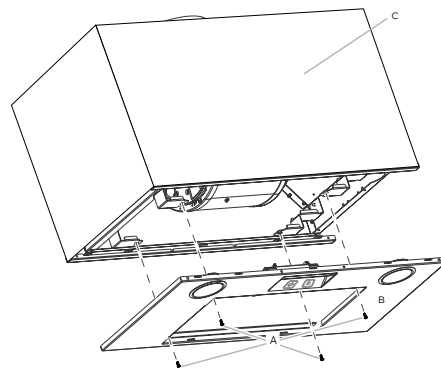


- A. Lamp connector
- B. Hood connector

- 5 Attach the face plate to the hood insert. Tighten to secure. **NOTE:** If cabinet depth is greater than 12", it is recommended that the two $\frac{1}{2}$ " metal spacers are installed. Install to front and rear sides of the face plate with 3.5 x 9.5 mm screws as shown in drawing.



- A. Face Panel
- B. Front and rear spacer
- C. Screws - 3.5 x 9.5 mm (4)



- A. Screws - 3.5 x 9.5 mm flat-head (4)
- B. Face plate (30" x 12" [76.2 cm x 30.5 cm] shown)
- C. Cabinet (30" x 12" [76.2 cm x 30.5 cm] shown)

Connect the Vent System

Vented Installations

- 1 Connect the vent system to the range hood vent opening. Seal the connection with clamps.

Non-Vented (recirculating) Installations

- 1 Connect the vent system to the range hood vent opening. Seal the connection with clamps.
- 2 Install charcoal filters. See the "Available accessories" section.

Complete Installation

- 1 Replace grease filters. See the "Maintenance" section.

⚠ WARNING

ELECTRICAL SHOCK HAZARD

⚠ WARNING

PLUG INTO A GROUNDED 3 PRONG OUTLET.
DO NOT REMOVE GROUND PRONG.
DO NOT USE AN ADAPTER.
DO NOT USE AN EXTENSION CORD.
FAILURE TO FOLLOW THESE INSTRUCTIONS CAN RESULT IN DEATH, FIRE, OR ELECTRICAL SHOCK.

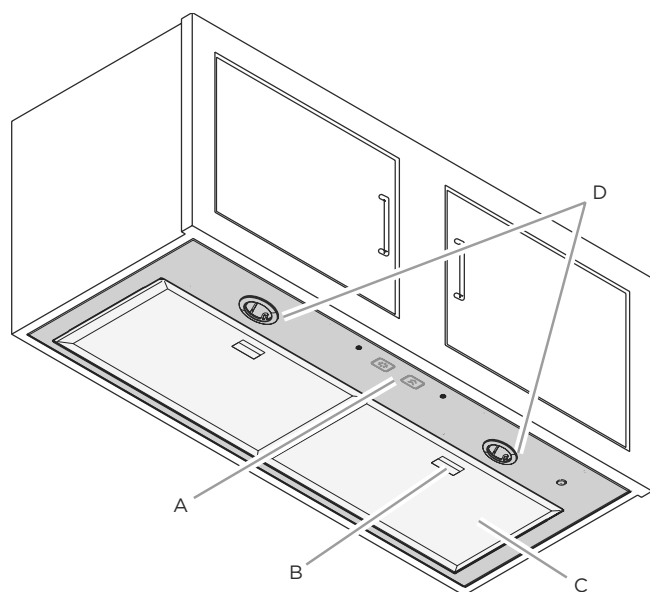
- 2 Plug 3-prong power cord into a grounded 3-prong outlet located inside the cabinet above the range hood.
- 3 Check the operation of the range hood fan and light. See "Description of the hood" section. If range hood does not operate, check to see whether a circuit breaker has tripped or a household fuse has blown. Disconnect power and check wiring connections.

NOTE: To get the most efficient use from your new range hood, read the "Description of the hood" section.

Description of the Hood

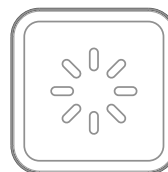
The range hood is designed to remove smoke, cooking vapors and odors from the cooktop area. For best results, start the hood before cooking and allow it to operate several minutes after the cooking is complete to clear all smoke and odors from the kitchen.

The hood controls are located on the center of the front of the range hood liner.



- A. Blower and light controls
- B. Grease filter handle
- C. Grease filter
- D. LED lamps

Control



A



B

- A. Light button
- B. Blower button

Operating the light

The Light On/Off button (A) controls both lights.



Press once for turning On soft light and the button sun icon lightens with the bottom half of the edge slightly.



Press again for regular light and the button will be completely illuminated.



Press a third time to turn Off the light, the whole button light turns off.

Operating the blower



Press the button (B) to turn On the hood on low speed, the icon and right low corner of the edge on button will be illuminated.



Press a second time for medium speed, the icon and the lower half of the edge on the button enlightens.



Press again to high speed and $\frac{3}{4}$ of the edge on the button will illuminate.



Press the button a fourth time to activate Boost speed for five minutes (the full icon and edge will be illuminated) and then, automatically switch to high speed.



Press the button a fifth time to turn Off the blower and button lights.

Change light color

With lights and motor turned Off, press and hold light button for 3 sec, both buttons will fully illuminate on the current light color. The buttons can be used to select desired color (Light << button backwards, Blower button forward >>)

Available light colors are white (default color), blue, green or red. To set color, choose one and press both buttons at the same time.

Sound

To enter sound mode, with lights and motor turned Off press both buttons at the same time and the upper left corner of the light button will illuminate with white light. The buttons can be used to select desired sound (Light <<button backwards, Blower button forward>>).

Available feedback sounds are regular beep, soft beep and mute. As the regular and soft beep are selected, the hood will reproduce each sound. When mute is selected, upper left corner of the light button will illuminate with red light. To set sound, choose one and press both buttons at the same time.

CFM Reduction System

Before operating your hood:

Some States and Provinces of the US & Canada restrict the maximum exhausting airflow of range hoods. Airflow is measured as cubic feet per minute (CFM). These maximum levels allowed are detailed in the local code of your area. Please check local codes to find out if you need to restrict the maximum airflow of your hood. If your local code mandates a maximum airflow level below the maximum airflow of this hood (i.e. 400 CFM), please execute the procedure below to reduce the maximum airflow.

With blower and light turned Off

- Press and hold both buttons at the same time for 3 sec you will hear a beep and the icon lights (no edge) will illuminate for 3 seconds.
- This action will disable speed 4 and effectively lower the maximum airflow to > 300 CFM.
- Locate the CFM certification sticker in the hardware pack.
- Peel and Affix this sticker to a visible area in the blower. This sticker provides official certification to your local inspector that this hoods maximum airflow has been reduced to > 300 CFM.

Indicators of filter saturation:

At regular time intervals, the hood indicates the need of performing filter maintenance.

Blower button icon blink (no edge):

Perform grease filter maintenance.

Light button blink (no edge):

Perform activated charcoal filter maintenance.

Reset of filter saturation indicators:

With blower Off press and hold the blower button for 3 sec.

Activation of saturation indicator activated charcoal filter:

NOTE: This operation must be performed with the hood off.

This indicator is normally deactivated; press and hold the blower button for 3 sec. to activate the function: the button blinks for 1 sec.

To deactivate the function, press and hold the blower button for 3 sec., the button blinks for half a sec.

Maintenance

Cleaning

IMPORTANT: Clean the hood and grease filters frequently according to the following instructions. Replace grease filter before operating the hood.

Exterior surfaces

To avoid damage to the exterior surface, do not use steel wool or soap-filled scouring pads.

Always wipe dry to avoid water marks.

Cleaning method:

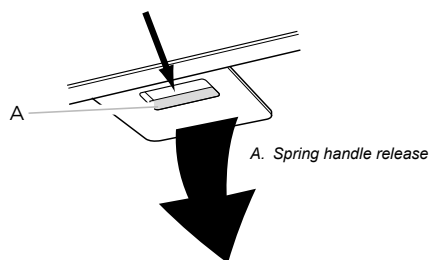
- Liquid detergent soap and water, or all-purpose cleanser
- Wipe with damp soft cloth or nonabrasive sponge, then rinse with clean water and wipe dry.

Metal grease filter

The filters should be washed frequently. Place metal filters in dishwasher or hot detergent solution to clean. Let filter dry thoroughly before replacing it.

Turn off fan and lights. Allow lamps to cool.

- 1 Remove each filter by pulling the spring release handle and then pulling down the filter.



- 2 Wash metal filters as needed in dishwasher or hot detergent solution.
- 3 Reinstall the filter by making sure the spring release handles are toward the front. Insert metal grease filter into upper track.
- 4 Pull the spring release handle down.
- 5 Push up on metal filter and release handle to latch into place.
- 6 Repeat steps 1-5 for the other filter.

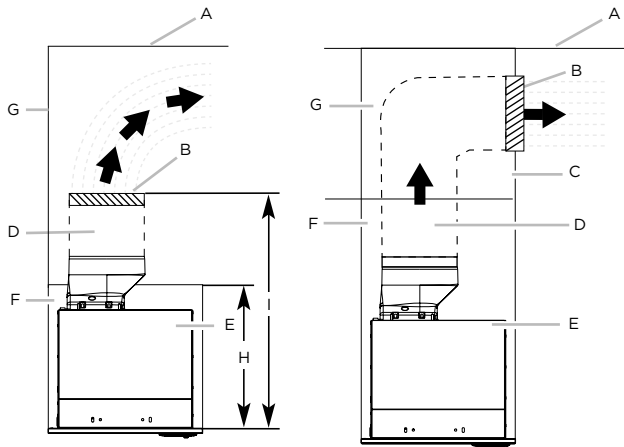
Replacing a LED lamp

The LED lights are replaceable by a service technician only. See "Who to contact" section in the warranty for service contact information.

Accessories

Recirculating kit

If it is not possible to vent cooking fumes and vapors to the outside, the range hood can be used in the non-vented (recirculating) version, using a charcoal filter. Recirculation Kit is available from the dealer or an authorized parts distributor.

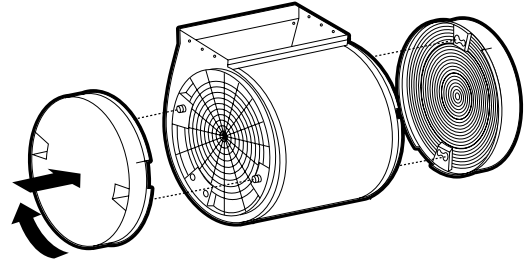


A. Ceiling
B. Vent cover
C. Soffit
D. 6" (15.2 cm) vent
E. Range hood

A. Cabinet
B. Wall
C. 12" (30.5 cm) min. cabinet height
D. 17" (43.2 cm) min. vent cover height

NOTE: 12" (30.5 cm) high cabinets without a soffit may allow the 6" vent and vent cover to be seen.

- 1 Cover the grill that protects the suction motor with the carbon filter so that the slots on the filter correspond to the pins on the sides of the motor protection grill.
- 2 Turn the carbon filter clockwise to block them (bayonet fixing).
 - The charcoal filters cannot be cleaned. It should be replaced every 4-6 months (depending on hood usage).
 - Remove the cable ties in the carbon filter to be able to turning it clockwise.



ELICA North America

TWO-YEAR LIMITED WARRANTY

Register your product in

elica.com

and earn a 3rd year of factory warranty, covering all parts plus in-home labor.

TO OBTAIN SERVICE UNDER WARRANTY

Owner must present proof of original purchase date. Please keep a copy of your dated proof of purchase (sales slip) in order to obtain service under warranty.

PARTS AND SERVICE WARRANTY

For the period of two (2) years from the date of the original purchase, Elica will provide free of charge, non consumable parts or components that failed due to manufacturing defects. During these two (2) years limited warranty, Elica will also provide free of charge, all labor and in-home service to replace any defective parts.

WHAT IS NOT COVERED

- Damage or failure to the product caused by accident or act of God, such as, flood, fire or earthquake.
- Damage or failure caused by modification of the product or use of non-genuine parts.
- Damage or failure to the product caused during delivery, handling or installation.
- Damage or failure to the product caused by operator abuse.
- Damage or failure to the product caused by dwelling fuse replacement or resetting of circuit breakers.
- Damage or failure caused by use of product in a commercial application.
- Service trips to dwelling to provide use or installation guidance.
- Light bulbs, metal or carbon filters and any other consumable part.
- Normal wear of finish.
- Wear to finish due to operator abuse, improper maintenance, use of corrosive or abrasive cleaning products/pads and oven cleaner products.
- When the product has not been operated in accordance with the accompanying instructions for use.

WHO IS COVERED

This warranty is extended to the original purchaser for products purchased for ordinary residential use in North America (Including the United States, Guam, Puerto Rico, US Virgin Islands & Canada).

This warranty is non-transferable and applies only to the original purchaser and does not extend to subsequent owners of the product. This warranty is made expressly in lieu of all other warranties, expressed or implied, including, but not limited to any implied warranty of merchantability or fitness for a particular purpose and all other obligations on the part of Elica North America, provided, however, that if the disclaimer of implied warranties is ineffective under applicable law, the duration of any implied warranty arising by operation of law shall be limited to two (2) years from the date of original purchase at retail or such longer period as may be required by applicable law.

This warranty does not cover any special, incidental and/or consequential damages, nor loss of profits, suffered by the original purchaser, its customers and/or the users of the Products.

WHO TO CONTACT

To obtain service under warranty or for any service related question:

- **USA & CANADA - Western Provinces**
SERVICE POWER
888 732 8018
elica@servicepower.com
- **CANADA - Ontario Province**
AGI Services
888 651 2534
service@agintl.qc.ca
- **CANADA - Quebec & Atlantic Provinces**
Ateliers G. Paquette
800 463 0119
service@ateliersgpaquette.com

To ensure prompt after-sales service, when you call we will kindly ask you to provide the following information indicated on the nameplate inside the hood: **hood model, 12 NC and date of purchase on original invoice**. To access the nameplate, all you have to do is remove the grease filters.

12NC: _____

Hood model: _____

Serial No: _____

Date of purchase on original invoice: _____

Table des matières

| | |
|---|----|
| Avis de Sécurité Important | 16 |
| Exigences électriques et d'installation | 17 |
| Exigences Concernant l'évacuation | 17 |
| Dimensions du Produit..... | 18 |
| Liste des pièces | 19 |
| Pièces non Fournies | 19 |
| Méthodes d'évacuation..... | 20 |
| Version à conduit | 20 |
| Version sans conduit (Recyclage) | 20 |
| Instructions d'installation..... | 21 |
| Installation de la hotte | 23 |
| Raccordement du circuit d'évacuation..... | 24 |
| Achever l'installation..... | 24 |
| Description de la hotte | 24 |
| Commandes | 25 |
| Système de Réduction CFM..... | 25 |
| Entretien..... | 26 |
| Accessoires..... | 27 |

**APPROUVÉ POUR LES APPAREILS DE TYPE RÉSIDENTIEL
POUR UNE UTILISATION RÉSIDENTIELLE SEULEMENT
LISEZ CES INSTRUCTIONS ET CONSERVEZ-LES**

**VEUILLEZ LIRE CES INSTRUCTIONS AU COMPLET AVANT DE COMMENCER.
L'INSTALLATION DE L'APPAREIL DOIT RESPECTER TOUS LES CODES EN VIGUEUR.**

IMPORTANT : Conservez ces instructions afin de pouvoir les remettre à l'inspecteur-électricien de votre région.

INSTALLATEUR : Veuillez laisser ces instructions avec l'appareil pour le propriétaire.

PROPRIÉTAIRE : Veuillez conserver ces instructions pour pouvoir vous y référer plus tard.

Avertissement de sécurité : Coupez l'alimentation du circuit dans le panneau électrique et verrouillez le panneau avant de raccorder les fils de cet appareil.

Exigence : 120 V c.a., 60 Hz circuit de dérivation de 15 V c.a., 20 Hz, de 15 ou 20 A.

⚠ Avis de Sécurité Important

⚠ ATTENTION

UTILISER CET APPAREIL À DES FINS DE VENTILATION GÉNÉRALE SEULEMENT. NE PAS UTILISER CET APPAREIL POUR ÉVACUER DES MATÉRIAUX OU DES VAPEURS DANGEREUX OU EXPLOSIFS.

⚠ AVERTISSEMENT

POUR RÉDUIRE LES RISQUES D'INCENDIE, DE CHOC ÉLECTRIQUE ET DE BLESSURE, RESPECTER LES DIRECTIVES SUIVANTES:

- A. Utiliser cet appareil uniquement aux fins prévues par le fabricant. Si vous avez des questions à propos de l'appareil, communiquez avec le fabricant.
- B. Avant de faire l'entretien de l'appareil ou de le nettoyer, coupez l'alimentation dans le panneau électrique et verrouillez le panneau en bloquant le dispositif permettant d'empêcher d'activer l'alimentation accidentellement. S'il n'est pas possible de verrouiller l'accès au panneau, fixez une étiquette très voyante au panneau électrique.
- C. Une personne qualifiée doit effectuer l'installation et le câblage des fils électriques en conformité avec tous les codes et toutes les normes, y compris la cote de résistance au feu.
- D. Il est important de prévoir suffisamment d'air pour assurer une bonne combustion de l'équipement de chauffe et l'évacuation adéquates des gaz par le conduit de cheminé afin de prévenir les refoulements d'air. Respectez les directives et les normes de sécurité des fabricants de l'équipement de chauffage, comme celles publiées par la National Fire Protection Association (NFPA), la American Society for Heating, Refrigeration and Air Conditioning Engineers (ASHRAE) et le code des autorités de votre région.
- E. Au moment de couper ou de percer un mur ou un plafond, assurez-vous de ne pas endommager la filerie électrique ou tout autre accès à un service publique.
- F. Il faut toujours évacuer à l'extérieur les systèmes conduit.

⚠ ATTENTION

Pour réduire les risques d'incendie et évacuer l'air correctement, assurez-vous que le conduit mène à l'extérieur; il ne faut pas évacuer l'air dans l'espace entre les murs, dans les plafonds, dans les greniers, les vides sanitaires ou les garages.

⚠ AVERTISSEMENT

POUR RÉDUIRE DES RISQUES D'INCENDIE, UTILISEZ UNIQUEMENT DES CONDUITS EN MÉTAL.

Installez cette hotte en respectant toutes les exigences mentionnées.

⚠ AVERTISSEMENT

Pour réduire les risques d'incendie et de choc électrique, n'utilisez pas cette hotte avec un contrôleur de vitesse à semi-conducteurs.

⚠ ATTENTION

Dispositif à commande automatique - pour réduire le risque de Blessure Débrancher de l'alimentation électrique avant la maintenance.

⚠ AVERTISSEMENT

POUR RÉDUIRE LES RISQUES D'INCENDIE DE GRAISSE SUR LES CUISINIÈRES.

- a) Ne laissez jamais la cuisinière sans surveillance lorsqu'elle est réglée à une haute température. Les débordements par bouillonnement causent de la fumée et des débordements de gras qui peuvent s'enflammer. Faites chauffer l'huile lentement, à une température basse ou moyenne.
- b) Faites toujours fonctionner la hotte lorsque vous utilisez la cuisinière à une haute température ou que vous faites flamber des aliments (P. ex.: crêpes Suzette, cerises jubilé, boeuf au poivre flambé).
- c) Nettoyez les hélices de ventilation fréquemment. Il ne faut pas que la graisse s'accumule sur les filtres ou les hélices.
- d) Utilisez le bon format de casserole. Utilisez toujours un chaudron de taille approprié à l'élément de la cuisinière.
- e) Convient pour utilisation dans la zone de cuisson domestique.

⚠ AVERTISSEMENT

POUR ÉVITER DE BLESSER QUELQU'UN LORS D'UN INCENDIE DE GRAISSE SUR LA CUISINIÈRE, SUIVRE LES CONSEILS SUIVANTS:^a

- a) ÉTOUFFER LES FLAMMES avec un couvercle aux dimensions de la tache de cuisson, une tôle à biscuit ou tout autre plateau métallique, puis couper le gaz ou l'alimentation électrique de la cuisinière. FAIRE ATTENTION A NE PAS SE BRÛLER. Si les flammes ne s'éteignent pas immédiatement, QUITTER LA PIÈCE ET APPELER LES POMPIERS.
- b) NE JAMAIS PRENDRE EN MAIN UNE CASSEROLE N FEU, vous pourriez vous blesser.
- c) NE PAS UTILISER D'EAU, y compris les essuies de vaisselle ou les serviettes humides - une violente explosion due à la vapeur formée pourrait survenir.
- d) Utiliser un extincteur SEULEMENT si:
 - 1) Vous êtes sûr d'avoir un extincteur de classe ABC que vous savez utiliser.
 - 2) Le feu est petit et confiné à la zone où il s'est formé.
 - 3) Les pompiers ont été appelés.
 - 4) Vous pouvez lutter contre le feu avec une sortie derrière vous.

a Recommandations tirées des conseils de sécurité en cas d'incendie de cuisine publiés par la NFPA.

MODE OPÉRATOIRE

Toujours laisser les grilles de sécurité et les filtres à leur place. Sans la présence de ces derniers, les parties aspirantes pourraient attirer les cheveux, les doigts ou les vêtements.

Le fabricant décline toute responsabilité si les informations détaillées dans ce manuel pour l'installation, l'entretien et l'utilisation adéquate du produit ne sont pas observées. Le fabricant décline en outre toute responsabilité pour d'éventuelles blessures dues à des négligences; en outre, la garantie de l'appareil sera annulée suite à des conditions d'entretien inappropriées. Cet appareil est fabriqué pour un usage interne. Ne pas utiliser cet appareil à l'extérieur.

Exigences électriques et d'installation

⚠ AVERTISSEMENT

BRANCHER SUR UNE PRISE À 3 ALVÉOLES RELIÉE À LA TERRE.
NE PAS ENLEVER LA BROCHE DE LIAISON À LA TERRE.
NE PAS UTILISER UN ADAPTATEUR.
NE PAS UTILISER UN CÂBLE DE RALLONGE.
LE NON-RESPECT DE CES INSTRUCTIONS PEUT CAUSER UN DÉCÈS, UN INCENDIE OU UN CHOC ÉLECTRIQUE.

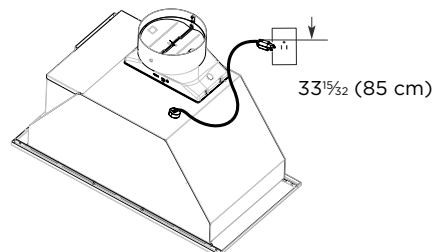
IMPORTANT: La hotte doit être correctement reliée à la terre en conformité avec les codes et règlements locaux en vigueur, ou en l'absence de tels codes, avec le National Electrical Code, ANSI/ NFPA 70 (dernière édition) ou le Code canadien des installations électriques, CSA C22.1 No. 0-M91 (dernière édition). Si les codes le permettent et si on utilise un conducteur distinct de liaison à la terre, il est recommandé qu'un électricien qualifié vérifie la qualité de la liaison à la terre. Pour obtenir un exemplaire des normes des codes ci-dessus, contacter:

National Fire Protection Association
1 Batterymarch Park
Quincy, MA 02169-7471
CSA International
8501 East Pleasant Valley Road
Cleveland, Ohio 44131-5575

- Une alimentation de 120 volts, 60 Hz, CA seulement, de 15 ou 20 ampères, protégée par un fusible est requise. On recommande également d'utiliser un fusible ou un disjoncteur temporisé. Il est recommandé de raccorder la hotte sur un circuit distinct exclusif à cet appareil.
- Cette hotte est équipée d'un cordon d'alimentation électrique de liaison à la terre à trois broches.
- Pour minimiser les risques de choc électrique, on doit brancher le cordon sur une prise de courant de configuration correspondante, à 3 alvéoles, reliée à la terre et installée conformément aux codes et règlements locaux.

Si une prise de courant de configuration correspondante n'est pas disponible, le client a la responsabilité et l'obligation de faire installer par un électricien qualifié une prise de courant correctement reliée à la terre.

- La prise à 3 broches reliée à la terre doit se trouver dans un placard situé au-dessus de la hotte, à une distance maximale de 33¹/₁₆" (85,0 cm) à partir du point duquel le cordon d'alimentation sort de la hotte. La prise à 3 broches reliée à la terre doit être accessible une fois la hotte installée. Voir l'illustration:



INSTRUCTIONS DE MISE À LA TERRE

- Pour une hotte reliée à la terre et connectée par un cordon:
- Cette hotte doit être reliée à la terre. Au cas où un court-circuit se produirait, la liaison à la terre réduit le risque de choc électrique, en permettant au courant de s'échapper directement vers la terre. La hotte est équipée d'un cordon comportant un conducteur de liaison à la terre avec fiche de liaison à la terre. La fiche doit être branchée dans une prise correctement installée et reliée à la terre.

AVERTISSEMENT: Une mise à la terre incorrecte peut entraîner un risque de choc électrique. Consulter un électricien qualifié si les instructions de mise à la terre ne sont pas complètement comprises, ou si vous avez des doutes quant à la qualité de la liaison à la terre de la hotte. Ne pas utiliser de câble de rallonge. Si le cordon d'alimentation électrique est trop court, faire installer une prise près de la hotte par un électricien qualifié.

CONSERVEZ CES INSTRUCTIONS

Exigences Concernant l'évacuation

- Le circuit d'évacuation doit décharger l'air à l'extérieur, excepté pour les installations sans décharge à l'extérieur (recyclage).
- Ne pas terminer le circuit d'évacuation dans un grenier ou dans un autre espace clos.
- Ne pas utiliser une bouche de décharge murale de 4" (10,2 cm) normalement utilisée pour un équipement de buanderie.
- Utiliser un conduit métallique uniquement. Un conduit en métal rigide est recommandé. Ne pas utiliser de conduit de plastique ou en aluminium. La longueur du conduit de décharge et le nombre de coudes doivent être réduits au minimum pour fournir la meilleure performance.

Pour un fonctionnement efficace et silencieux:

- Ne pas utiliser plus de trois coudes à 90°.
- Veiller à ce qu'il y ait une section droite de conduit d'un minimum de 24" (61 cm) entre les raccords coudés, si on doit en utiliser plus d'un.
- Ne pas installer 2 coudes successifs.
- Le circuit d'évacuation doit comporter un clapet anti-r flux.
- Au niveau de chaque jointure du circuit d'évacuation, assurer l'étanchéité avec les brides de serrage.
- À l'aide d'un produit de calfeutrage, assurer l'étanchéité autour de la bouche de décharge à l'extérieur (à travers le mur ou le toit).

- La taille du conduit doit être uniforme.

Installations dans les régions au climat froid

On doit installer un clapet anti-retour valve supplémentaire à l'arrière pour minimiser le reflux d'air froid et incorporer un élément d'isolation thermique pour minimiser la conduction de chaleur par l'intermédiaire du conduit d'évacuation, de l'intérieur de la maison à l'extérieur. Le clapet anti-retour valve doit être placé du côté air froid de la résistance thermique.

Air d'appoint

Les codes du bâtiment locaux peuvent exiger l'emploi d'un système de renouvellement de l'air/introduction d'air d'appoint, lors de l'utilisation d'un système d'aspiration de débit supérieur à une valeur (pieds cubes par minute) spécifiée. Le débit spécifié en pieds cubes par minute varie d'une juridiction à l'autre. Consulter un professionnel des installations de chauffage ventilation/climatisation au sujet des exigences spécifiques applicables dans la juridiction locale.

Méthodes d'évacuation

Cette hotte a été configurée à l'usine pour la décharge à travers le toit ou à travers le mur. Le système de décharge requis pour l'installation n'est pas fourni. Un circuit d'évacuation avec conduit circulaire de 6" (15,2 cm) est recommandé.

Dimensions du Produit

Exigences d'emplacement:

IMPORTANT: Observer les dispositions de tous les codes et règlements en vigueur.

Confier l'installation de la hotte à un technicien qualifié.

C'est à l'installateur qu'incombe la responsabilité de respecter les distances de séparation exigées, spécifiées sur la plaque signalétique de l'appareil. La plaque signalétique de l'appareil est située derrière le filtre, sur la paroi arrière gauche de la hotte.

Installer la hotte de cuisinière à distance de toute zone exposée à des courants d'air, comme fenêtres, portes et bouches de chauffage. Respecter les dimensions indiquées pour les ouvertures à découper dans les placards. Ces dimensions tiennent compte des valeurs minimales des dégagements de séparation.

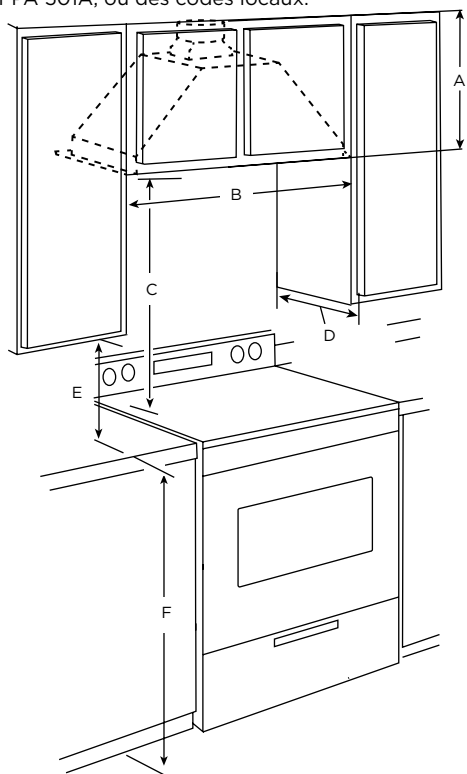
Avant d'effectuer des découpages, consulter les instructions d'installation de la table de cuisson/cuisinière. On doit disposer d'une prise de courant électrique reliée à la terre. Voir la section "Spécifications électriques".

La hotte a été configurée à l'usine pour une installation avec et sans décharge à l'extérieur (recyclage), voir "Installation sans décharge à l'extérieur (recyclage) à travers le soffite/placard", à la section "Préparation de l'emplacement".

Ensemble de filtres à charbon (pièce numéro W10272068) est disponible chez votre marchand ou chez un distributeur de pièces autorisé. Assurer l'étanchéité au niveau de chaque ouverture découpée dans le plafond ou le mur pour l'installation de la hotte de cuisinière.

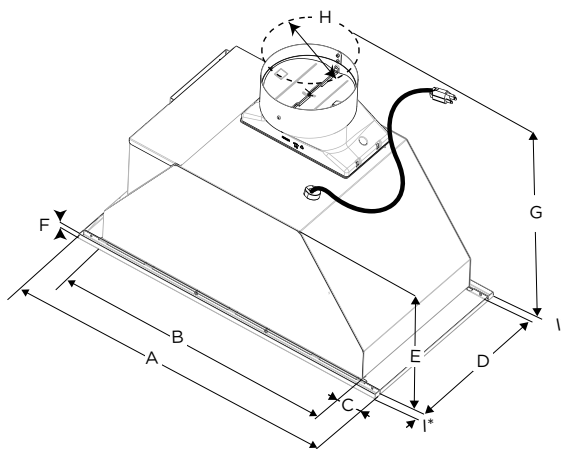
Installation dans une résidence mobile

L'installation de cette hotte doit satisfaire aux exigences de la norme Manufactured Home Construction Safety Standards, Titre 24 CFR, partie 328 (anciennement Federal Standard for Mobile Home Construction and Safety, titre 24, HUD, partie 280); lorsque cette norme n'est pas applicable, l'installation doit satisfaire aux critères de la plus récente édition de la norme Manufactured Home Installation 1982 (Manufactured Home Sites, Communities and Setups) ANSI A225.1/NFPA 501A, ou des codes locaux.



- A. Hauteur minimale de placard 12" (30,5 cm)
 B. Largeur de l'ouverture de placard 30" (76,2 cm) min.
 C. 24" (61 cm) min. à partir de la surface de cuisson électrique, 27" (68,6 cm) min. à partir de la surface de cuisson au gaz; distance max. suggérée de 36" (91,4 cm) entre le bas du placard et la surface de cuisson. 12"
 D. Profondeur de placard de 12" (30,5 cm)
 E. Dégagement min. entre le haut du placard et le plan de travail de 15" (38,1 cm)
 F. Hauteur de placard sur plancher de 36" (91,4 cm)

***REMARQUE:** Cette hotte est fixée à 30" (76,2 cm) largeur d'armoire x 12" (30,5 cm) armoires profondes.



| | EAS428S2 |
|-----------|--|
| A | 28 ¹⁷ / ₆₄ " (71,8 cm) |
| B | 26" (66 cm) |
| C | 1 ⁹ / ₆₄ " (3 cm) |
| D | 10 ³ / ₄ " (27,3 cm) |
| E | 9 ¹⁷ / ₃₂ " (24,2 cm) |
| F | 0 ² / ₆₄ " (1 cm) |
| G | 14 ⁹ / ₁₆ " (37 cm) |
| H | 6" (15,2 cm) |
| I* | 1/2" (1,27 cm) |

I* - Barres d'espacement

Pour une utilisation lorsque la profondeur del cabinet est supérieure à 12".

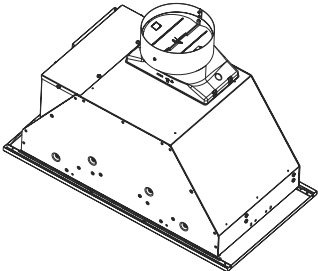




Pour l'installation à partir de la surface de cuisson électrique: Monter cette hotte de sorte que le bord inférieur est au minimum de 30" (76,2 cm) au-dessus de la surface de cuisson. Pour l'installation à partir de la surface de cuisson au gaz: monter cette hotte pour que le fond n'est pas inférieur à 24" (61 cm).

Liste des pièces

Retirer les pièces de leur emballage.

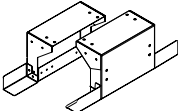


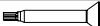


⚠ ATTENTION

Enlever délicatement le carton, porter des gants pour se protéger des bords coupants.

| Supplied Part | Pieces |
|---|--------|
|  <p>Assemblage hotte avec soufflerie et lampes DEL</p> | 1 |
|  <p>4,5x13 mm</p> | 8 |
|  <p>4,2x15 mm</p> | 2 |
|  <p>3,5x9,5 mm</p> | 4 |
|  <p>4,2x19 mm</p> | 8 |

⚠ AVERTISSEMENT

Enlever le film de protection recouvrant le produit avant de commencer l'opération.

| Supplied Part | Pieces |
|--|--------|
|  <p>Brides de montage</p> | 2 |
|  <p>Barres d'espacement (pour une utilisation lorsque la profondeur del cabinet est supérieure à 12")</p> | 2 |
|  <p>3,5x9,5 mm</p> | 6 |
|  <p>Adaptateur Torx 10</p> | 1 |
|  <p>Rondelles Ø 6,4x18 mm</p> | 8 |
|  <p>Rondelles Ø 6,4x18 mm</p> | 8 |

Pièces non Fournies

Outils nécessaires

- Niveau
- Perceuse avec forets de 1¼" (3,2 cm), ⅝" (3,2 mm), y ⅞" (4,8 mm)
- Crayon
- Pince à dénuder ou couteau utilitaire
- Mètre-ruban ou règle
- Pince
- Pistolet à calfeutrage et composé de calfeutrage résistant aux intempéries
- Brides de conduit
- Scie sauteuse ou scie à guichet
- Cisaille de ferblantier
- Tournevis à lame plate, Phillips (Pozidrive)

Pièces nécessaires

- Système de conduit d'évacuation métallique rond de 6" (15,2 cm)

Accessoires optionnel

| KIT | # Pièce | |
|-------------------------------|---------------|---------------|
| | 30" (76,2 cm) | 36" (91,4 cm) |
| Clapet antiretour | KIT02770 | |
| Filtre à graisse | GF08PA | |
| Couverture de la hotte | KIT02773 | KIT02774 |

Méthodes d'évacuation

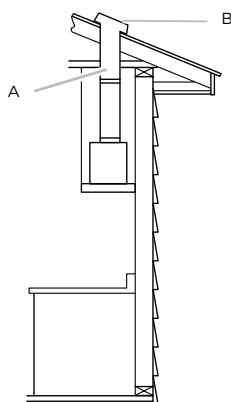
Suivez à la lettre les directives présentées dans ce manuel.

Le fabricant refuse toute responsabilité en ce qui a trait à tout préjudice, dommage ou incendie causé par la non observation des directives contenues dans le présent manuel.

Version à conduit

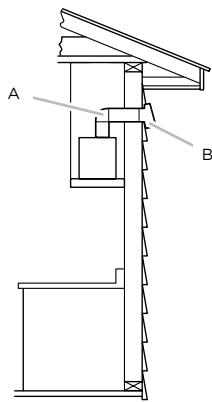
La hotte est dotée d'une transition 6" (15,2 cm) afin d'évacuer les vapeurs à l'extérieur.

Décharge à travers le toit



A. Conduit de dia. 6" (15,2 cm) pour décharge à travers le toit
B. Bouche de décharge sur toit

Décharge à travers le mur



A. Conduit de dia. 6" (15,2 cm) pour décharge à travers le mur
B. Bouche de décharge murale)

Préparation

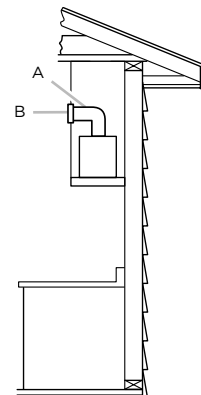
Ne coupez pas une solive ou un montant à moins qu'il soit absolument nécessaire de le faire. Si vous devez couper une solive ou un montant, vous devez construire un cadre de soutien. La quincaillerie fournie permet de fixer la hotte à la plupart des murs et des plafonds.

Vous devez cependant demander à un technicien qualifié de vérifier la solidité des matériaux selon le type de mur ou de plafond.

Avant de couper, assurez-vous qu'il y a un dégagement suffisant dans le plafond ou le mur pour passer la conduite de sortie.

Version sans conduit (Recyclage)

S'il s'avère impossible d'évacuer la fumée et les vapeurs de cuisson à l'extérieur, il est possible de transformer la hotte en version sans conduit (Recyclage). Dans le cas de la version sans conduit (à recyclage) seulement: procurez-vous la trousse de conversion en hotte à recyclage.



A. Conduit de dia. 6" (15,2 cm) pour décharge à travers le placard
B. Grille de recirculation rond

⚠ ATTENTION

Pour l'installation des cuisiniers à gaz: Installer cette hotte de sorte que le rebord inférieur est à 30" (76,2 cm) au-dessus de la surface de cuisson.

Pour l'installation des cuisiniers électriques / induction: Installer cette hotte de sorte que le rebord inférieur est pas moins de 24" (61 cm) sur la surface de cuisson.

Il est recommandé d'installer cette hotte plus de 36" (91,4 cm) au-dessus de la surface de cuisson. Par pouce (2,54 cm) supérieure à 36" (91,4 cm) diminuera l'efficacité de la capture de la fumée et de l'humidité, et la performance de ventilation.

S'IL VOUS PLAÎT LIRE L'INSTALLATION POUR UNE INSTALLATION SPÉCIFIQUE. Avant de choisir la hotte, vérifiez la hauteur du plafond et la hauteur maximale de la hotte.

Instructions d'installation

Préparation de l'emplacement

- Il est recommandé d'installer le circuit d'évacuation avant de procéder à l'installation de la hotte.
- Avant d'exécuter les découpes, vérifier la disponibilité d'un dégagement suffisant dans le plafond ou le mur pour le conduit d'évacuation.
- Avant d'installer la hotte, mesurer la hauteur libre sous plafond et la hauteur maximum disponible sous la hotte.

- 1 Déconnecter la source de courant électrique.
- 2 Déterminer la méthode d'évacuation à utiliser: décharge à travers le mur ou le toit, ou recyclage.
- 3 Sélectionner une surface plane pour l'assemblage de la hotte. Placer le matériau de protection sur cette surface.

AVERTISSEMENT

RISQUE DU POIDS EXCESSIF

UTILISER DEUX OU PLUS DE PERSONNES POUR DÉPLACER ET INSTALLER LA HOTTE DE LA CUISINIÈRE. LE NON-RESPECT DE CETTE INSTRUCTION PEUT CAUSER UNE BLESSURE AU DOS OU D'AUTRE BLESSURE.

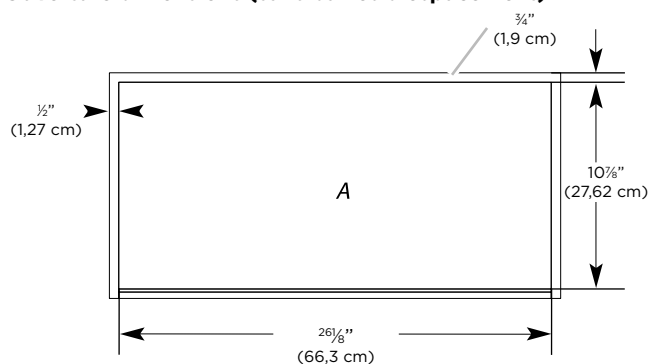
- 4 À l'aide de deux personnes ou plus, soulever la hotte et la poser sur la surface couverte.

Ouverture découpée du placard pour la hotte

- 1 Utiliser une scie sauteuse ou scie à guichet pour découper une ouverture dans le fond du placard, à l'intérieur du cadre du placard.

REMARQUE: Pour les placards sans cadres, un rebord avant et arrière de $\frac{3}{4}$ " (1,9 cm) est nécessaire pour former un cadre dans le fond du placard. Une tringle d'appui de $\frac{3}{4}$ " (1,9 cm) d'épaisseur (non fournie) sera peut-être nécessaire pour certains types de placards).

Ouverture dimensions (sans barres d'espacement)



A. Ouverture dans le fond du placard

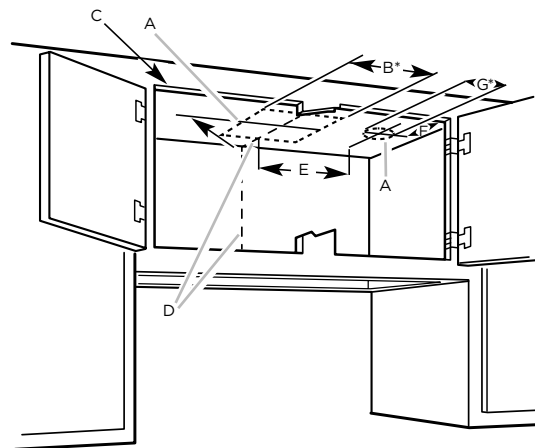
- 2 Terminer la préparation du placard conformément aux instructions correspondant au type d'évacuation du domicile. Déterminer l'emplacement des ouvertures d'aération et découper les ouvertures dans les placards, les murs et/ou les soffites.

Décharge à l'extérieur, à travers le toit

- 1 Relever les mesures appropriées et tracer les lignes indiquées sur l'illustration. Utiliser une scie sauteuse ou une scie à guichet pour découper une ouverture à travers le sommet du placard et le toit pour l'évacuation.

Mesures appropriées

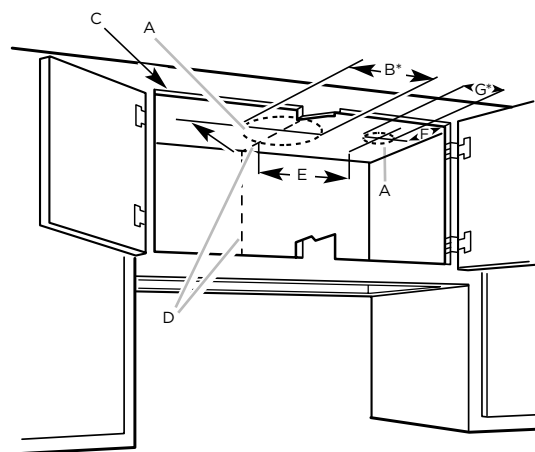
| Hauteur du placard | Taille et forme du trou |
|--------------------|--|
| 12" (30,5 cm) | Une ouverture rectangulaire de $8\frac{17}{64}$ " de largeur x $6\frac{1}{4}$ " de profondeur (21 cm x 15,9 cm) dans le sommet du placard est obligatoire pour établir le dégagement nécessaire au clapet anti-reflux. |



- A. Ouverture
- B. $8\frac{17}{64}$ " (21 cm) x $6\frac{1}{4}$ " (15,9 cm)*
- C. $7\frac{3}{4}$ " (19,7 cm) entre l'axe central et l'avant du placard
- D. Axe central
- E. $4\frac{2}{5}$ " (10,6 cm)
- F. $4\frac{9}{10}$ " (12,5 cm) entre axe et l'avant du placard
- G. Ø (6 cm)*

Hauteur du placard Taille et forme du trou

| | |
|---------------|--|
| 15" (38,1 cm) | Une ouverture diamètre rond de $6\frac{1}{4}$ " (15,9 cm) est obligatoire. |
|---------------|--|

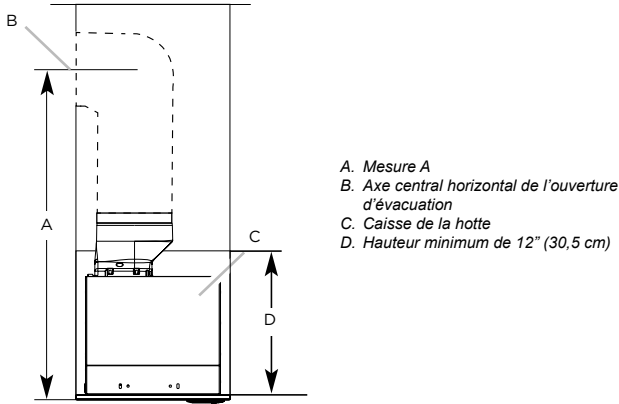


- A. Ouverture
- B. Ø $6\frac{1}{4}$ " (15,9 cm)*
- C. $7\frac{1}{2}$ " (19 cm) ntre l'axe central et l'avant du placard
- D. Axe central
- E. $4\frac{2}{5}$ " (10,6 cm)
- F. $4\frac{9}{10}$ " (12,5 cm) entre axe et l'avant du placard
- G. Ø (6 cm)*

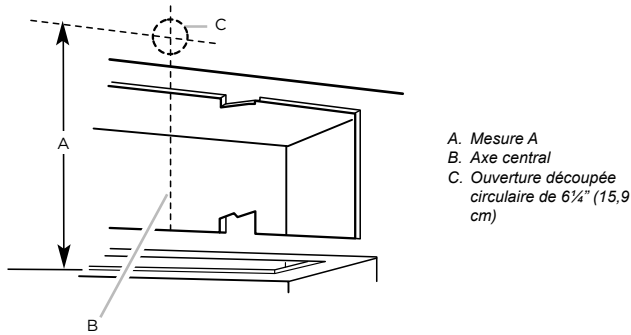
- 2 S'il n'est pas encore fixé, installer le raccord de transition de 6" (15,2 cm) au sommet de la caisse de la hotte à l'aide de deux vis T10 de 3,5 x 9,5 mm.

Décharge à l'extérieur, à travers le mur

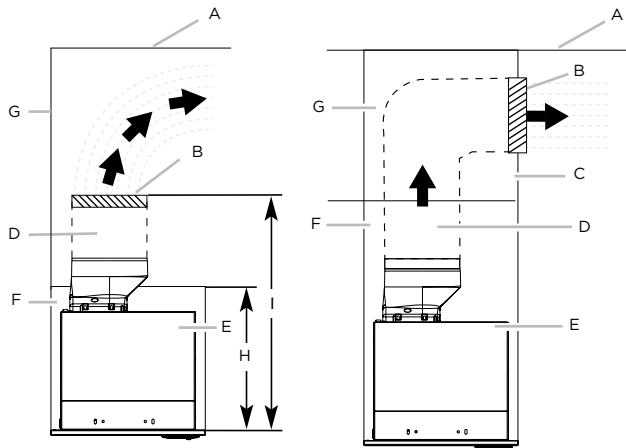
- 1 Mesurer la distance entre le bas de la caisse de la hotte et l'axe central horizontal de l'ouverture d'évacuation (A).



- 2 Retirer le conduit d'évacuation de la caisse de la hotte. Reporter la dimension A sur la paroi arrière du placard. Prendre les mesures à partir de la face inférieure du placard.
- 3 Marquer le périmètre de l'ouverture à découper - voir l'illustration. Utiliser une scie sauteuse ou une scie à guichet pour découper une ouverture circulaire à travers l'arrière du placard et le mur extérieur pour l'évacuation.



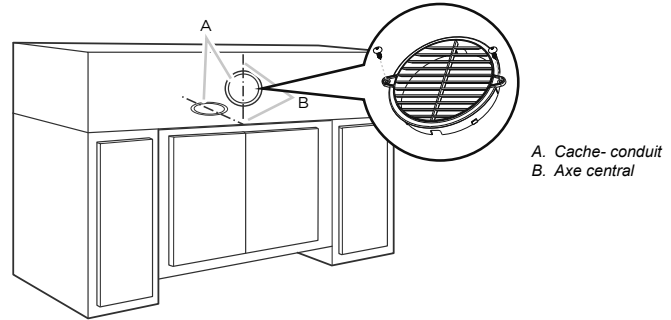
Installation sans décharge à l'extérieur (recyclage) à travers le soffite/placard



A. Plafond
 B. Cache-conduit
 C. Soffite
 D. Évent de 6" (15,2 cm)
 E. Hotte de cuisinière

A. Placard
 B. Mur
 C. Hauteur du placard de 12" (30,5 cm)
 D. Hauteur de cache-conduit de 17" (43,2 cm)

- 1 Relever les mesures appropriées et tracer l'axe central d placard jusqu'au soffite situé au-dessus.
- 2 Mesurer la distance entre le bas du placard et l'axe central, au point où le conduit d'évacuation ressort du soffite. Indiquer l'emplacement et utiliser une scie sauteuse ou scie à guichet pour découper un trou de 5 3/4" (14,6 cm) pour le cache-conduit.



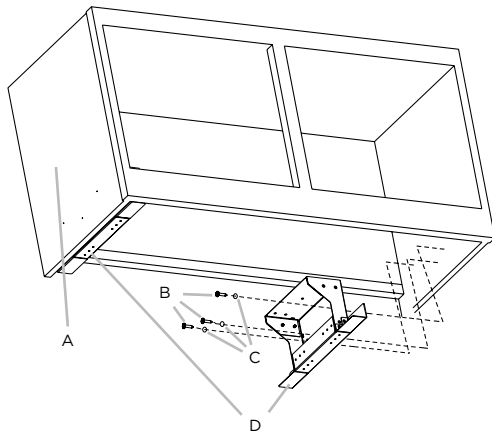
***REMARQUE:** Pour les placards d'une hauteur de 12" (30,5 cm), une ouverture rectangulaire de 6 1/4" de profondeur x 8" de largeur (14,6 cm x 20,3 cm) dans le sommet du placard est obligatoire pour établir le dégagement nécessaire au raccord de transition du clapet anti-reflux.

- 1 Relever les mesures appropriées et tracer l'axe central de l'ouverture, dans le sommet du placard.

Complete preparation

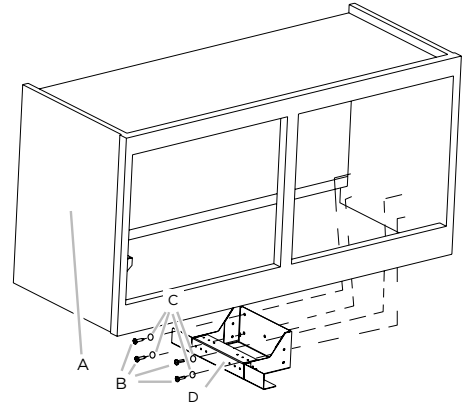
- 1 S'il n'est pas encore fixé, installer le raccord de transition de 6" (15,2 cm) au sommet de la caisse de la hotte à l'aide de deux vis T10 de 3,5 x 9,5 mm.
- 2 Repérer l'emplacement de la bride latérale de montage, en affleurement avec le bas de la paroi latérale du placard et contre l'intérieur de la face avant du placard. Orienter la bride tel qu'indiqué dans l'illustration suivante. Percer des avan trous de 1/8" (3 mm) en 8 points différents et fixer une bride à l'aide de quatre vis Phillips n°2 de 4,5 x 13 mm de chaque côté du placard - serrer ensuite. Le sachet de matériel comporte des rondelles supplémentaires en plastique qui peuvent être utilisées comme cales si l'épaisseur des parois du placard est inférieure à 1/2" (13 mm).

Orientation de la bride pour un placard de 30" (76,2 cm)

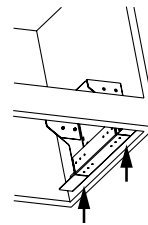


- A. Placard de 30" (76,2 cm)
- B. 8 vis - 4,5 x 13 mm
- C. Rondelles (facultatives)
- D. 2 brides de montage (position pour un placard de 30" [76,2 cm])

Orientation de la bride pour un placard de 30" (76,2 cm)



- A. Placard de 30" (76,2 cm)
- B. 8 vis - 4,5 x 13 mm
- C. Rondelles (facultatives)
- D. 2 brides de montage (position for 30" [76,2 cm])



Déplacer le support $\frac{1}{16}$ " (1 cm) du fond côté de l'armoire

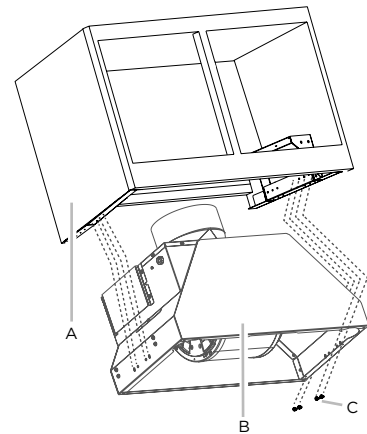
- 3 Installer le circuit d'évacuation selon la méthode requise. Utiliser un calfeutrant pour assurer l'étanchéité au point de traversée du mur extérieur ou du toit.

Installation de la hotte

⚠ AVERTISSEMENT

RISQUE DU POIDS EXCESSIF
UTILISER DEUX OU PLUS DE PERSONNES POUR DÉPLACER ET INSTALLER LA HOTTE DE LA CUISINIÈRE.
LE NON-RESPECT DE CETTE INSTRUCTION PEUT CAUSER UNE BLESSURE AU DOS OU D'AUTRE BLESSURE.

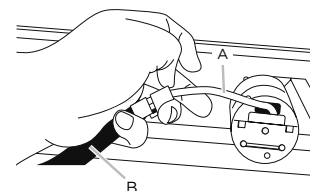
- 1 À l'aide d'au moins 2 personnes, soulever la caisse de la hotte et l'installer. La fixer dans les encoches en forme de trou de serrure à l'aide de quatre vis Phillips n°2 de 4,2 x 19 mm. Ne pas serrer les vis.
- 2 Aligner la base de l'auvent avec le bas du placard. Installer 8 vis de 4,2 x 19 mm dans les trous de la plaque de montage et serrer les vis de montage.



- A. Placard
- B. Auvent de la hotte

C. 8 vis de 4,2 x 19 mm

- 3 Ôter les filtres à graisse métalliques du panneau avant.
- 4 Branchez le connecteur des lampes au connecteur présent à l'intérieur du capot comme indiqué dans le dessin.

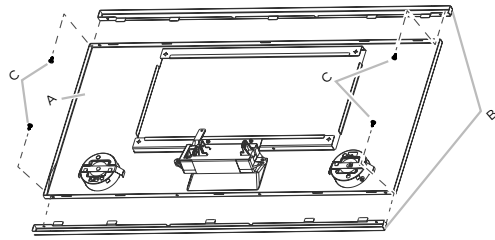


- A. Connecteur des lampes
- B. Connecteur de la hotte

5 Fixer le panneau à la caisse de la hotte.

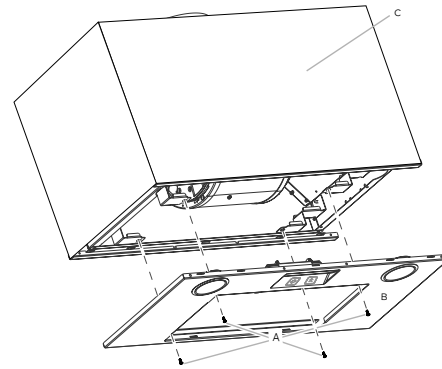
REMARQUE: Si la profondeur de l'armoire est supérieur à 12", il est recommandé que les deux ½" entretoises métalliques sont installés.

Installez de faces et arrière del panneau avec vis de 3,5 x 9,5 mm, comme illustré dans dessin.



A. Panneau
B. Barre de spacement

C. 4 vis - 3,5 x 9,5 mm



A. 4 vis à tête plate- 3,5 x 9,5 mm
B. Plaque avant
C. Placard

Installations avec décharge à l'extérieur

- 1 Connecter le circuit d'évacuation sur l'ouverture de décharge de la hotte. Serrer le point de connexion avec des brides.

Raccordement du circuit d'évacuation

Installations ventilées

- 1 Raccordez le système de ventilation à l'ouverture de ventilation de la hotte. Scellez la connexion avec des colliers de serrage.

Installation sans décharge à l'extérieur (recyclage)

- 1 Connecter le circuit d'évacuation sur l'ouverture de décharge de la hotte. Serrer le point de connexion avec des brides.
- 2 Installer le cache-conduit. Installer les filtres à charbon. Voir la section "Accessoires".

Achever l'installation

- 1 Réinstaller les filtres à graisse. Voir la section "Entretien".

⚠ AVERTISSEMENT
RISQUE DE CHOC ÉLECTRIQUE.

⚠ AVERTISSEMENT
BRANCHER SUR UNE PRISE À 3 ALVÉOLES RELIÉE À LA TERRE.
NE PAS ENLEVER LA BROCHE DE LIAISON À LA TERRE.
NE PAS UTILISER UN ADAPTATEUR.
NE PAS UTILISER UN CÂBLE DE RALLONGE.
LE NON-RESPECT DE CES INSTRUCTIONS PEUT CAUSER UN

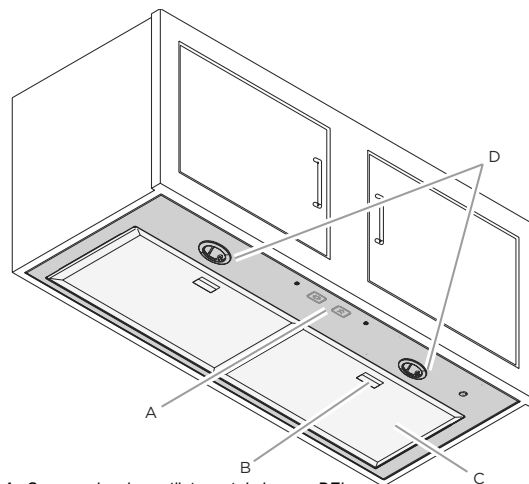
DÉCÈS, UN INCENDIE OU UN CHOC ÉLECTRIQUE.

- 2 Brancher le cordon d'alimentation à 3 broches dans la prise à 3 alvéoles reliée à la terre située dans le placard qui se trouve au-dessus de la hotte.
- 3 Contrôler le fonctionnement du ventilateur de la hotte et de la lampe. Voir la section "Utilisation de la hotte".
Si la hotte ne fonctionne pas, déterminer si un disjoncteur s'est ouvert ou si un fusible du domicile est grillé.
Déconnecter la source de courant électrique et inspecter les connexions du câblage.

REMARQUE: Pour pouvoir tirer le plus grand parti de la nouvelle hotte de cuisinière, lire la section "Description de la hotte".

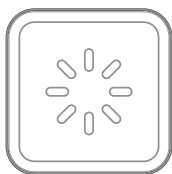
Description de la hotte

La hotte de cuisinière est conçue pour extraire fumée, vapeurs de cuisson et odeurs de la zone de la table de cuisson. Pour obtenir les meilleurs résultats, mettre le ventilateur de la hotte en marche avant d'entreprendre une cuisson, et la laisser fonctionner pendant plusieurs minutes après l'achèvement d'une cuisson pour pouvoir évacuer de la cuisine toute trace d'odeur de cuisson, vapeur ou fumée. Les commandes de la hotte sont situées sur l'avant-centre de la caisse de hotte.



A. Commandes du ventilateur et de lampes DEL
B. Poignée du filtre à graisse
C. Filtre à graisse
D. Logements des lampes DEL

Commandes



A



B

A. Bouton de l'éclairage
B. Bouton du ventilateur

Utilisation de la lumière

Le bouton Light On/Off (A) permet de contrôler les deux lumières.



Appuyez une fois pour allumer la lumière douce et l'icône du bouton soleil s'illumine avec la moitié inférieure du bord légèrement.



Appuyez à nouveau pour une lumière normale et le bouton sera complètement éclairé.



Appuyez une troisième fois pour éteindre la lumière, l'ensemble de la lumière du bouton s'éteint.

Fonctionnement de la hotte



Appuyez sur le bouton (B) pour allumer la hotte en basse vitesse, l'icône et le coin inférieur droit du bord sur le bouton s'allument.



Appuyez une deuxième fois pour la vitesse moyenne, l'icône et la moitié inférieure du bord sur le bouton s'allument.



Appuyez une nouvelle fois sur le bouton pour la vitesse élevée et les $\frac{3}{4}$ du bord sur le bouton s'allument.



Appuyez une quatrième fois sur le bouton pour activer la vitesse Boost pendant cinq minutes (l'icône et le bord complet s'illuminent), puis, passez automatiquement à la vitesse élevée.



Appuyez sur le bouton une cinquième fois pour éteindre la soufflerie et les lumières du bouton.

Changer la couleur de la lumière

Avec les lumières et le moteur éteints, appuyez et maintenez le bouton de lumière pendant 3 sec, les deux boutons s'allument complètement sur la couleur de lumière actuelle. Les boutons peuvent être utilisés pour sélectionner la couleur désirée (bouton Lumière << vers l'arrière, bouton Ventilateur vers l'avant >>).

Les couleurs de lumière disponibles sont le blanc (couleur par défaut), le bleu, le vert ou le rouge. Pour définir la couleur, choisissez-en une et appuyez sur les deux boutons en même temps.

Son

Pour entrer en mode son, avec les lumières et le moteur éteints, appuyez sur les deux boutons en même temps et le coin supérieur gauche du bouton lumière s'illuminera d'une lumière blanche. Les boutons peuvent être utilisés pour sélectionner le son désiré (Lumière << bouton vers l'arrière, souffleur vers l'avant >>).

Les sons de retour disponibles sont le bip régulier, le bip doux et la sourdine. Lorsque le bip régulier et le bip doux sont sélectionnés, la hotte reproduit chaque son. Lorsque la sourdine est sélectionnée, le coin supérieur gauche du bouton lumineux s'allume en rouge. Pour régler le son, choisissez-en un et appuyez sur les deux boutons en même temps.

Systeme de Réduction CFM

Avant d'utiliser votre hotte:

Certains États et certaines provinces des États-Unis et du Canada limitent le

le débit d'air maximum des hottes de cuisine.

Le débit d'air est mesuré en pieds cubes par minute (CFM). Ces niveaux maximums autorisés sont détaillés dans le code local de votre région. Veuillez vérifier les codes locaux pour savoir si vous devez restreindre le débit d'air maximal de votre hotte. Si votre code local impose un niveau de débit d'air maximum inférieur au débit d'air maximum de cette hotte (c'est-à-dire 400 CFM), veuillez exécuter la procédure ci-dessous pour réduire le débit d'air maximum.

Avec le ventilateur et la lumière éteints

- Appuyez sur les deux boutons en même temps et maintenez-les enfoncés pendant 3 secondes ; vous entendrez un bip et les lumières de l'icône (sans bord) s'allumeront pendant 3 secondes.
- Cette action désactivera la vitesse 4 et réduira effectivement le débit d'air maximum à > 300 CFM.
- Trouvez l'autocollant de certification CFM dans l'emballage du matériel.
- Cet autocollant fournit une certification officielle à votre inspecteur local que le débit d'air maximum de cette hotte a été réduit à > 300 CFM.

Indicateurs de la saturation du filtre:

A intervalles réguliers, la hotte indique la nécessité de d'effectuer l'entretien du filtre.

L'icône du bouton de la ventilation clignote (pas de bord):

Effectuez l'entretien du filtre à graisse.

Le bouton lumineux clignote (pas de bord):

Effectuez l'entretien du filtre à charbon actif.

Remise à zéro des indicateurs de saturation des filtres:

Lorsque le ventilateur est éteint, appuyez sur le bouton du ventilateur et maintenez-le enfoncé pendant 3 secondes.

Activation de l'indicateur de saturation du filtre à charbon actif:

NOTE: Cette opération doit être effectuée avec la hotte éteinte.

Cet indicateur est normalement désactivé ; pour activer la fonction, appuyez sur le bouton de soufflage pendant 3 secondes : le bouton clignote pendant 1 seconde. Pour désactiver la fonction, appuyez sur le bouton de soufflage pendant 3 secondes, le bouton clignote pendant une demi-seconde.

Nettoyage

IMPORTANT: Nettoyer fréquemment la hotte et les filtres à graisse en suivant les instructions suivantes. Réinstaller les filtres à graisse avant de faire fonctionner la hotte.

Surfaces externes

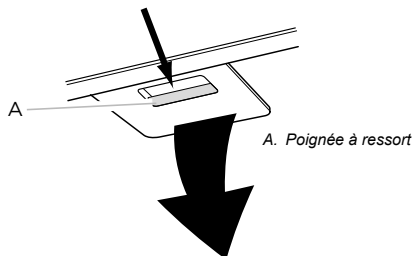
Afin d'éviter d'endommager la surface externe, ne pas utiliser de tampons en laine d'acier ou de tampons à récurer savonneux. Toujours essuyer pour éviter de laisser des marques d'eau.

Méthode de nettoyage:

- Savon détergent liquide et eau, ou produit de nettoyage polyvalent.
- Frotter avec un chiffon doux humide ou une éponge non abrasive, puis rincer avec de l'eau propre et essuyer.
- Ne pas utiliser des produits de nettoyage contenant du chlore.

Filtre à graisse métallique

- 1 Retirer le filtre en tirant sur la poignée à ressort, puis en tirant le filtre vers le bas.

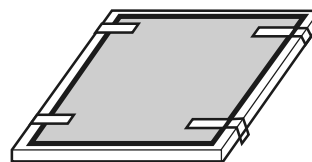
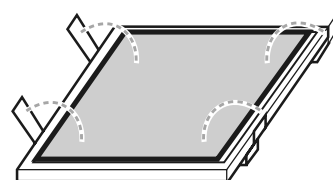
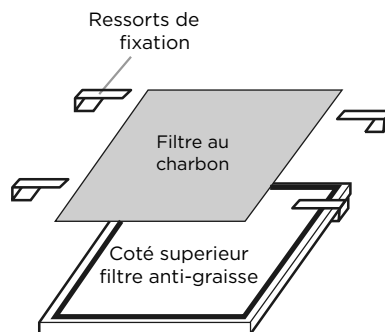


- 2 Laver le filtre métallique selon le besoin au lave-vaisselle ou avec une solution de détergent chaude.
- 3 Réinstaller le filtre en s'assurant que les poignées à ressort sont orientées vers l'avant. Insérer le filtre à graisse métallique dans la rainure supérieure.
- 4 Tirer sur la poignée à ressort.
- 5 Pousser le filtre métallique vers le haut et relâcher la poignée pour l'emboîter.

Remplacement de la lampe à DEL

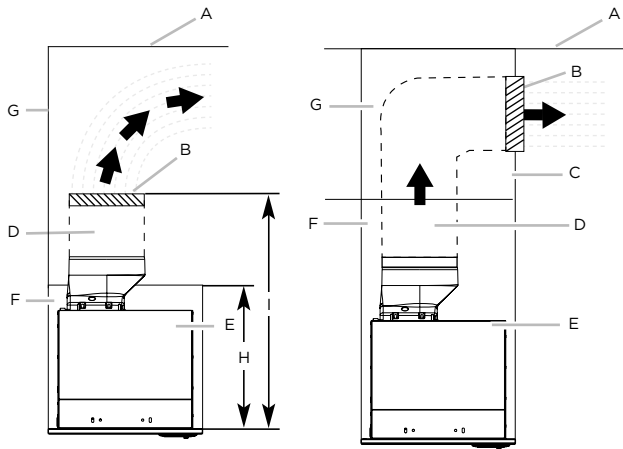
Les lumières DEL sont remplaçables par un technicien de service seulement. Voir les informations de contact de service: "Qui contacter".

REMARQUE: Lorsque vous le retirerez pour le remplacer par un autre, n'enlever pas les ressorts de fixation, poussez-les simplement et faites-les tourner vers l'extérieur.



Clapet antiretour

S'il n'est pas possible d'évacuer les fumées et vapeurs de cuisson à l'extérieur, on peut employer la version installation sans décharge à l'extérieur (recyclage) de la hotte, dotée de deux filtres à charbon et du déflecteur. Les vapeurs/fumées sont alors recyclées à travers la grille rond.



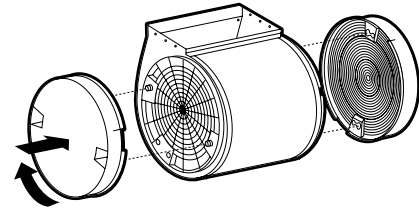
A. Plafond
B. Cache-conduit
C. Soffite
D. Évent de 6" (15,2 cm)
E. Hotte de cuisinière

A. Placard
B. Mur
C. Hauteur du placard de 12" (30,5 cm)
D. Hauteur de cache-conduit de 17" (43,2 cm)
E. Hotte de cuisinière

REMARQUE: Pour des placards de 12" (30,5 cm) de hauteur qui ne comportent pas de soffite, le conduit et le cache-conduit de 6" (15,2 cm) peuvent rester visibles.

- 1 Posez le filtre à charbon comme couverture de la grille qui protège le moteur aspirant de manière que les fentes présentes sur le filtre correspondent aux pivots sur les côtés de la grille protège-moteur.
- 2 Tournez le filtre à charbon dans le sens des aiguilles d'une montre pour le bloquer (fixation à baïonnette).

- Les filtres à charbon ne peuvent pas être nettoyés. Il doit être remplacé tous les 4-6 mois (selon l'utilisation de la hotte).
- Enlever les attaches de câble dans le filtre de carbone pour pouvoir le tourner dans le sens des aiguilles d'une montre.



Couverture de la hotte

- Couverture de la hotte offre une protection complète des placards de 30" de largeur x 17" ou 20" de profondeur.
- Couverture de la hotte offre une protection complète des placards de 36" de largeur x 17" ou 20" de profondeur.

Reportez-vous aux instructions d'installation de la couverture pour plus de détails.

ELICA North America

GARANTIE DE DEUX ANS

Enregistrez votre produit sur

elica.com

et obtenez une 3^e année de garantie, qui couvre toutes les pièces en plus de la main-d'œuvre.

POUR OBTENIR UN DEPANNAGE SOUS GARANTIE

Le propriétaire doit présenter une preuve de la date d'achat. Garder une copie de votre preuve d'achat datée (ticket de caisse) de façon à pouvoir bénéficier du service après-vente sous garantie.

GARANTIE PIÈCES DE RECHANGE ET MAIN D'OEUVRE

Pendant une période de deux (2) ans à partir de la date d'achat, Elica s'engage à fournir gratuitement les pièces de rechange ou les composants autres que les recharges ayant des défauts de fabrication. Durant cette garantie de deux (2) ans, Elica fournira également gratuitement, toute la main d'oeuvre et le service à domicile pour remplacer d'éventuelles pièces défectueuses.

CE QUE LA GARANTIE NE COUVRE PAS

- Dégât ou panne du produit causé par un accident ou un cas de force majeure tels que inondation, incendie ou tremblement de terre.
- Dégât ou panne du produit causé par modification du produit ou utilisation de pièces pas d'origine.
- Dégât ou panne du produit causé lors de la livraison, de la manipulation ou de l'installation.
- Dégât ou panne du produit causé par une mauvaise utilisation.
- Dégât ou panne du produit causé par un remplacement des fusibles ou une remise en fonction des disjoncteurs par le propriétaire.
- Dégât ou panne du produit causé par une utilisation du produit pour raison commerciale.
- Déplacement à domicile pour explication d'utilisation ou d'entretien.
- Ampoules, filtres métalliques ou au charbon et toute autre pièce consommable.
- Usure normale.
- Usure due à une mauvaise utilisation du propriétaire, un entretien incorrect, une utilisation de substances nettoyantes corrosives ou abrasives et produits de nettoyage pour four.
- Lorsque le produit n'a pas été utilisé conformément aux instructions d'utilisation qui l'accompagnent.

QUI EST COUVERT

Cette garantie s'étend à l'acheteur original de produits achetés pour un usage domestique habituel en Amérique du Nord (Y compris Etats Unis, Guam, Porto Rico, les Iles virgin Américaines & le Canada).

Cette garantie n'est pas transférable et vaut uniquement pour l'acheteur original et ne s'étend pas aux propriétaires successifs du produit. Cette garantie vaut expressément en lieu et place de toute autre garantie, expresse ou sous-entendue, mais ne limite pas toute autre garantie sous-entendue de marchandage ou adaptation dans un but particulier et toute autre obligation de la part de Elica North America, étant entendu, cependant, que si la réclamation pour garanties sous-entendues n'est pas applicable aux yeux de la loi en vigueur, la durée de toute garantie sous-entendue émanant de la loi doit être limitée à deux (2) ans à partir de la date d'achat du produit ou à une période plus longue selon ce que dit la loi en vigueur.

Cette garantie ne couvre pas tout dégât particulier, accidentel et/ou consécutif, ni les pertes et profits, à charge du propriétaire, des ses clients et/ou des utilisateurs Des produits.

QUI CONTACTER

Pour obtenir un Service Après-vente durant la Garantie ou pour toute autre Question liée au Service Après-vente: Appeler:

- **USA & CANADA - Provinces de l'Ouest**
SERVICE POWER
888 732 8018
elica@servicepower.com
- **CANADA - Province de l'Ontario**
AGI Services
888 651 2534
service@agintl.qc.ca
- **CANADA - Québec et provinces de l'Atlantique**
Ateliers G. Paquette
800 463 0119
service@ateliersgpaquette.com

Pour garantir un service après-vente rapide, quand vous téléphonerez nous vous prions de bien vouloir donner les informations suivantes, qui sont indiquées sur la plaque signalétique qui se trouve à l'intérieur de la hotte: **modèle, 12 NC et date d'achat sur votre facture originale**. Pour accéder à la plaque signalétique, il vous suffit d'enlever les filtres graisse.

12NC: _____

Modèle: _____

N° de série: _____

Date d'achat sur votre facture originale: _____

Contenido

Aviso de Seguridad Importante 30

Requisitos eléctricos y de instalación 31

Requisitos de ventilación 32

Dimensiones del producto 33

Lista de Materiales 34

 Piezas no suministradas 34

Opciones de ducto 35

 Salida de escape 35

 Sin ducto de escape (recirculante) 35

Instrucciones de instalación 36

Instalación de la Campana 38

Conecte el sistema de ventilación 39

Complete la Instalación 39

Descripción de la Campana 39

 Control 39

Reducción de CFM 40

Mantenimiento 41

Accesorios 41

**APROBADO PARA APARATOS DE USO DOMÉSTICO
SÓLO PARA USO DOMÉSTICO
LEA Y GUARDE ESTAS INSTRUCCIONES**

**ANTES DE CONTINUAR, LEA LAS INSTRUCCIONES POR COMPLETO.
LA INSTALACIÓN DEBE CUMPLIR TODA LA NORMATIVA LOCAL.**

IMPORTANTE: Guarde estas instrucciones para su uso por parte del inspector de electricidad local.

INSTALADOR: Entregue al propietario estas instrucciones junto con la unidad.

PROPIETARIO: Conserve estas instrucciones para futuras consultas.

Advertencia de seguridad: Antes de realizar el cableado de este aparato, desactive el circuito de energía eléctrica en el panel de servicio y desbloquee el panel.

Requisito: Circuito auxiliar de 120 V AC, 60 Hz. 15 ó 20 A.

CAMPANA PURIFICADORA
 Marca: ELICA
 Modelos: EAS428S2
 Contenido: 1 pza
 Hecho en México
 Fabricado por: ELICAMEX S.A. de C.V.
 Dirección: Av. La Noria No. 102 int. S/N Col.
 Parque Industrial Querétaro
 Del. Santiago de Querétaro, C.P. 76220 Querétaro,
 R.F.C. EII060102RK8



⚠ Aviso de Seguridad Importante

⚠ PRECAUCIÓN

SÓLO PARA USO DE VENTILACIÓN GENERAL. NO UTILIZAR PARA EXPULSAR VAPORES O MATERIALES PELIGROSOS O EXPLOSIVOS.

⚠ ADVERTENCIA

PARA REDUCIR EL RIESGO DE FUEGO, DESCARGA ELÉCTRICA O LESIONES PERSONALES, RESPETE LO SIGUIENTE:

A. Utilice esta unidad solamente en el modo que indica el fabricante. En caso de duda, póngase en contacto con el fabricante.

B. Antes de reparar o limpiar la unidad, desconecte la alimentación en el panel de servicio y bloquee los medios de desconexión del panel de servicio para evitar la conexión accidental de la alimentación. Si no es posible bloquear los medios de desconexión del panel de servicio, coloque un dispositivo de advertencia que destaque como, por ejemplo, una etiqueta, en el panel de servicio.

C. La instalación y el cableado eléctrico deben realizarlos personas cualificadas de acuerdo con las normativas y los estándares aplicables, incluida la construcción ignífuga.

D. Es necesaria una ventilación suficiente para la correcta combustión y expulsión de gases por la salida de humos (Chimenea) del equipo de combustión de carburante para evitar el contratiro. Siga las directrices de fabricantes de equipos de calefacción y los estándares de seguridad como los publicados por la National Fire Protection Association (NFPA), American Society for Heating, Refrigeration and Air Conditioning Engineers (ASHRAE) y las normativas locales.

E. Al efectuar orificios en una pared o techo, no dañe el cableado eléctrico y otras instalaciones ocultas.

F. Los sistemas instalados mediante conducto deben tener ventilación con salida al exterior.

⚠ PRECAUCIÓN

Para reducir el riesgo de fuego y conseguir una salida del aire correcta, asegúrese de conducir el aire hacia el exterior. No permita que el aire se expulse en espacios situados en el interior de muros, techos, desvanes, sótanos de pequeña altura o garajes.

⚠ ADVERTENCIA

PARA REDUCIR EL RIESGO DE FUEGO, UTILICE SOLAMENTE TUBOS METÁLICOS.

Instale esta campana de acuerdo con los requisitos especificados.

⚠ ADVERTENCIA

Para reducir el riesgo de fuego o descarga eléctrica, no utilice esta campana con ningún dispositivo externo en estado sólido para el control de la velocidad.

⚠ ADVERTENCIA

La mala colocación de los tornillos o artefactos de montaje o sujeción de acuerdo a estas instrucciones puede traer consigo peligros eléctricos.

⚠ ADVERTENCIA

PARA REDUCIR EL RIESGO DE INCENDIO OCASIONADO POR GRASA:

- No deje nunca ninguna unidad externa desatendida y con valores de fuego altos. La cocción puede causar humo o reboses de grasa que pueden prender fuego. Caliente el aceite a fuego lento o medio.
- Limpie con frecuencia los ventiladores. No permita que la grasa se acumule en el ventilador o filtro.
- Utilice un tamaño de sartén adecuado. Utilice siempre piezas de batería de cocina adecuadas al tamaño del elemento de superficie.
- Apto para usarse en el área de la cocina doméstica.

⚠ ADVERTENCIA

PARA REDUCIR EL RIESGO DE LESIONES PERSONALES, EN CASO DE FUEGO OCASIONADO POR GRASA, TENGA EN CUENTA LO SIGUIENTE:^a

- EXTINGA LAS LLAMAS con una tapa ajustada, una lámina para hacer galletas u otro tipo de bandeja metálica y apague el quemador de gas o elemento eléctrico. TENGA CUIDADO PARA EVITAR QUEMADURAS. Si las llamas no se extinguen inmediatamente, DESALOJE EL LUGAR Y LLAME A LOS BOMBEROS.
- NUNCA TOME UNA SARTÉN EN LLAMAS, podría sufrir quemaduras.
- NO UTILICE AGUA, incluidas bayetas o toallas húmedas ya que se produciría una violenta explosión de vapor.
- Utilice un extintor SÓLO si:
 - Sabe que dispone de un extintor de la clase ABC y conoce su funcionamiento.
 - El fuego es pequeño y se encuentra en la misma zona donde se inició.
 - Ha llamado a los bomberos.
 - Puede luchar contra el fuego teniendo una salida a su espalda.

^aBasado en "Consejos de seguridad para fuegos se cocina" publicado por NFPA.

FUNCIONAMIENTO

Coloque siempre las rejillas y los filtros de seguridad en su lugar correspondiente. Sin estos componentes, los ventiladores en funcionamiento podrían atrapar su pelo, sus dedos o su ropa.

El fabricante declina toda responsabilidad en caso de fallo de cumplimiento de las instrucciones aquí facilitadas para la instalación, el mantenimiento y el uso adecuado del producto. El fabricante declina además toda responsabilidad por daños ocasionados por negligencia y la garantía de la unidad queda cancelada automáticamente como consecuencia de un mantenimiento incorrecto.

⚠ PRECAUCIÓN

Equipo operado automáticamente - para reducir el riesgo de lastimarse desconecte de la línea antes de dar servicio.

⚠ PRECAUCIÓN

Las partes accesibles pueden calentarse cuando se utilizan los aparatos de cocción.

- Use esta unidad de la manera para la que fue diseñada por el fabricante. Si tiene preguntas, póngase en contacto con el fabricante.
- Electrodoméstico diseñado exclusivamente para su uso en interiores.
- Antes de dar servicio o limpiar la unidad, apague el suministro de energía en el panel de servicio y bloquee los medios de desconexión del servicio para evitar que se encienda accidentalmente el suministro de energía. Cuando el medio de desconexión del servicio no se pueda bloquear, sujete de manera segura un dispositivo de advertencia prominente, como podría ser una etiqueta, al panel de servicio.
- Limpie la unidad de acuerdo a las instrucciones descritas en este manual para evitar riesgo de incendio.
- El trabajo de instalación y cableado se debe llevar a cabo por una persona(s) calificada(s), en conformidad con todos los códigos y estándares aplicables, incluyendo construcciones clasificadas como resistentes al fuego.
- No opere ningún ventilador que tenga un cable o enchufe dañado. Deshágase del ventilador o devuélvalo a un lugar de servicio autorizado para que sea examinado y/o reparado.
- Es necesario que haya suficiente aire para la adecuada combustión y ventilación de gases a través del conducto (la chimenea) del equipo que consume combustible, para evitar que ocurra contratiro. Siga la guía y los estándares de seguridad del fabricante del equipo de calefacción.
- Cuando corte o taladre en una pared o techo, no dañe el cableado ni otros servicios públicos.
- Los ventiladores con conductos siempre deben dar salida al aire hacia el exterior.

NOTA: Sólo para versión Aspirante.

- Para usarse solamente en ventilación común. No lo utilice para ventilar materiales y vapores peligrosos o explosivos.
- Sólo use conductos metálicos.

RECOMENDACIONES GENERALES

- Nunca deje las unidades de superficie sin vigilancia cuando estén en ajustes altos. Los derrames por hervor causan salpicaduras grasosas y humeantes, las cuales pueden encenderse. Caliente los aceites lentamente y con ajustes bajos o medios.
- Siempre ENCIENDA LA CAMPANA cuando cocine.
- Limpie los filtros anti-grasa con frecuencia (al menos cada 2 meses). No permita que se acumule la grasa en el filtro. Aplica para filtros de aluminio.
- Se recomienda cambiar los filtros de carbón cada 6 meses (ver números de parte en pág. 21).
- No flamear alimentos bajo la campana de cocina.
- Use cacerolas del tamaño adecuado. Siempre use utensilios de cocción que sean los adecuados para el tamaño del elemento de la superficie.
- Este aparato no se destina para utilizarse por personas (incluyendo niños) cuyas capacidades físicas, sensoriales o mentales sean diferentes o estén reducidas o carezcan de experiencia o conocimiento a menos que dichas personas reciban supervisión o capacitación del funcionamiento del aparato por una persona responsable de su seguridad.
- Los niños deben supervisarse para asegurar que ellos no empleen los aparatos como juguete.
- No use el ventilador de la campana con ningún dispositivo semiconductor para el control de la velocidad.

Requisitos eléctricos y de instalación

⚠ ADVERTENCIA

CONECTE A UN CONTACTO DE PARED DE CONEXIÓN A TIERRA DE 3 TERMINALES.

NO quite la terminal de conexión a tierra.

NO use un adaptador.

NO use un cable eléctrico de extensión.

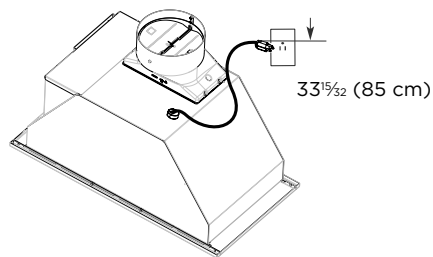
NO seguir estas instrucciones puede ocasionar la muerte, incendio o choque eléctrico.

IMPORTANTE: La campana para cocina deberá estar conectada a tierra de acuerdo con los códigos y ordenanzas locales, o en la ausencia de códigos locales, con el National Electrical Code (Código Nacional Eléctrico), ANSI/NFPA 70 (última edición) o el Canadian Electrical Code (Código Canadiense de Electricidad), CSA C22.1 No. 0-M91 (última edición).

Si los códigos lo permiten y se emplea un alambre de conexión a tierra separado, es recomendable que un instalador eléctrico calificado determine si la trayectoria de conexión a tierra es adecuada. Usted puede obtener una copia de las normas de los códigos arriba indicadas en:

National Fire Protection Association
1 Batterymarch Park
Quincy, MA 02169-7471
CSA International
8501 East Pleasant Valley Road
Cleveland, Ohio 44131-5575

- Se necesita un circuito eléctrico de 120 voltios, 60 hertzios, CA solamente, de 15 ó 20 amperios y protegido con fusibles.
- También se recomienda usar un fusible retardador o un cortacircuitos. Asimismo se recomienda el uso de un circuito independiente que preste servicio únicamente a esta campana para cocina.
- Esta campana para cocina viene equipada con un cable eléctrico dotado de un enchufe con tres terminales y conexión a tierra.
- Para reducir al mínimo el peligro de posibles choques eléctricos, el cable debe estar enchufado en un contacto apropiado de pared de 3 terminales, conectado a tierra de acuerdo con los códigos y ordenanzas locales. Si no hay disponible un contacto equivalente, es responsabilidad y obligación personal del cliente de tener un contacto apropiado con conexión a tierra instalado por un electricista calificado.
- El enchufe de 3 terminales con conexión a tierra debe estar ubicado dentro del armario, encima de la campana para cocina, a una distancia máxima de 33 $\frac{3}{16}$ " (85 cm) desde donde el cable eléctrico sale de la campana.



INSTRUCCIONES PARA LA CONEXIÓN A TIERRA

- Esta campana para cocina debe estar conectada a tierra.
- En caso de que se produzca un cortocircuito, la conexión a tierra reduce el riesgo de choque eléctrico al proporcionar un alambre de escape para la corriente eléctrica. Esta campana para cocina está equipada con un cable que incluye un alambre y un enchufe a tierra. El enchufe debe ser conectado a un contacto debidamente instalado y puesto a tierra.

ADVERTENCIA: La conexión a tierra inadecuada puede ocasionar un riesgo de choque eléctrico.

Consulte a un electricista competente si no comprende totalmente las instrucciones de puesta a tierra o si tiene dudas acerca de si la campana para cocina fue puesta a tierra correctamente. No use un cable eléctrico de extensión. Si el cable de suministro eléctrico es demasiado corto, haga que un electricista competente instale un contacto cerca de la campana para cocina.

GUARDE ESTAS INSTRUCCIONES

Características eléctricas (nominales)

| Modelo | EAS428S2 |
|---------------------------|-----------|
| Voltaje | 120 V- |
| Corriente | 2.35 A |
| Frecuencia | 60 Hz |
| Potencia máx. de lámparas | 2 x 2.1 W |
| Consumo de potencia | 275 W |

Requisitos de ventilación

- El sistema de ventilación debe terminar en el exterior, excepto para las instalaciones sin ducto de escape (con recirculación).
- No dirija la salida del sistema de ventilación hacia el desván u otra área cerrada.
- No utilice una cubierta de pared de tipo para lavandería de 4" (10.2 cm).
- Utilice ducto de escape de metal únicamente. Se recomienda un ducto de escape de metal rígido. No se recomienda ducto de escape de plástico u hoja metálica. El largo del sistema de ventilación y el número de codos se deben mantener.

Para obtener el funcionamiento más eficaz y silencioso:

- No use más de 3 codos de 90°.
- Asegúrese de que haya un mínimo de 24" (61 cm) de ducto de escape recto entre los codos, si se utiliza más de 1 codo.
- No instale 2 codos lado a lado.
- El sistema de ventilación debe tener una compuerta.
- Use abrazaderas para sellar todas las juntas en el sistema de ventilación.
- Utilice masilla de calafateo para sellar la abertura exterior de la pared o el techo alrededor de la cubierta.
- El tamaño del ducto de escape debe ser uniforme.

Instalaciones en climas fríos

Como parte del sistema de ventilación, se deberá instalar una compuerta de contratiro adicional para minimizar el flujo de aire frío hacia atrás, y un dispositivo de interrupción térmico para reducir la conducción de las temperaturas exteriores.

La compuerta deberá estar en el lado del aire frío del dispositivo de interrupción térmico.

El dispositivo de interrupción deberá estar lo más cerca posible del lugar donde el sistema de ventilación entra a la parte con calefacción de la casa.

Aire de complemento

Los códigos locales de construcción podrían requerir el uso de sistemas de aire de complemento, en el caso de que se usen sistemas de ventilación con un movimiento de aire mayor a los CFM (pies cúbicos por minuto) especificados. Los pies cúbicos por minuto especificados varían entre localidades. Consulte a su profesional de Calefacción, Ventilación y Acondicionamiento de Aire (HVAC) para obtener información sobre los requisitos particulares en su zona.

Métodos de ventilación

La campana para cocina se ha ajustado de fábrica para tener una ventilación a través del techo o de la pared.

No se incluye el sistema de ducto de escape necesario para la instalación. Se recomienda un sistema de ducto de escape redondo de 6" (15.2 cm).

Dimensiones del producto

Requisitos de ubicación:

IMPORTANTE: Observe todos los códigos y ordenanzas aplicables.

Haga que un técnico calificado instale la campana para cocina. Es la responsabilidad del instalador cumplir con los espacios de instalación especificados en la placa con la clasificación de modelo/serie. La placa con clasificación de modelo/serie está ubicada dentro del revestimiento, detrás del filtro, en la pared izquierda de la campana para cocina.

La ubicación de la campana para cocina deberá estar lejos de zonas con corrientes fuertes de aire, tales como ventanas, puertas u orificios de calefacción con un flujo intenso.

Deben usarse las dimensiones de la abertura del armario que se muestran. Las dimensiones proporcionadas proveen los espacios mínimos. Consulte las instrucciones de instalación del fabricante de la superficie de cocción/estufa antes de hacer cualquier corte.

Se requiere un enchufe eléctrico con conexión a tierra.

Consulte la sección "Requisitos eléctricos".

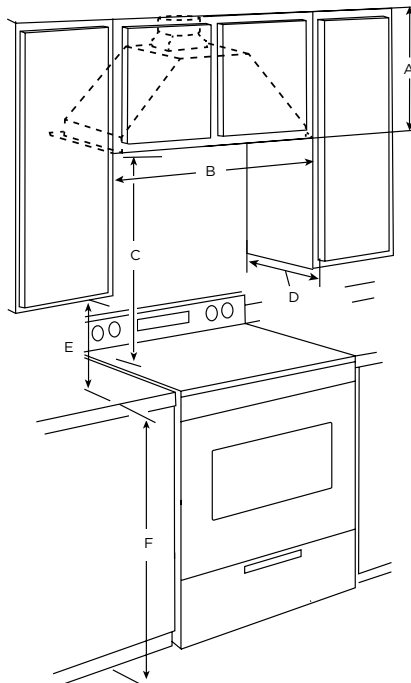
La campana para cocina se ha ajustado de fábrica para las instalaciones con ventilación a través del techo o de la pared. Para ver la instalación sin ducto de escape (con recirculación), consulte "Instalación sin ducto de escape (con recirculación) a través del soffito/armario" en la sección "Preparación de la ubicación". Se deben sellar todas las aberturas en el techo y la pared en donde se va a instalar la campana para cocina.

Para la instalación en casas rodantes:

Estándar de seguridad y construcción de casas fabricadas, Título 24 CFR, Parte 328 (anteriormente conocido como Federal Standard for Mobile Home Construction and Safety [Estándar federal para la seguridad y construcción de casas rodantes], Título 24, HUD Parte 280), o cuando dicho estándar no sea aplicable, el estándar Manufactured Home Installation

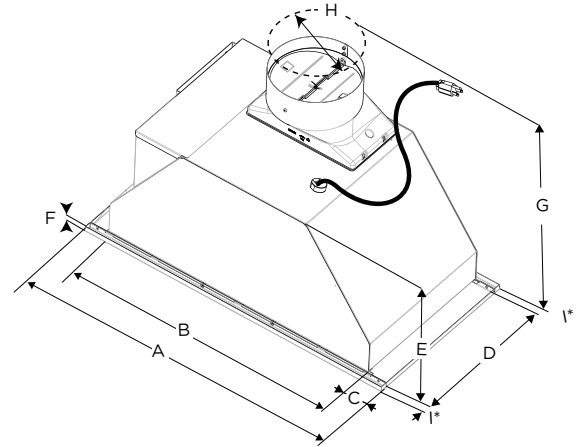
(Instalación en casas fabricadas) de 1982 (Manufactured Home Sites, Communities and Setups [Obras, comunidades e instalaciones de casas fabricadas]), ANSI A225.1/NFPA.

*®TORX es una marca registrada de Saturn Fasteners, Inc.



- A. 12" (30.5 cm) altura mínima del armario superior
 B. 30" (76.2 cm) ancho de la abertura del armario
 C. 24" (61 cm) mínimo desde la superficie de cocción eléctrica, 36" (91.4 cm) máximo sugerido desde la base del armario hasta la superficie de cocción
 D. 12" (30.5 cm) profundidad del armario
 E. 15" (38.1 cm) espacio mínimo entre el armario superior y el mostrador
 F. 36" (91.4 cm) altura del armario inferior

***NOTA:** Esta campana está configurada para su uso en gabinetes de 30" (76.2 cm) de ancho x 12" (30.5 cm) de profundidad.



| | EAS428S2 |
|-----------|---|
| A | 28 ⁷ / ₆₄ " (71.8 cm) |
| B | 26" (66 cm) |
| C | 1 ⁹ / ₆₄ " (3 cm) |
| D | 10 ³ / ₄ " (27.3 cm) |
| E | 9 ¹ / ₃₂ " (24.2 cm) |
| F | 0 ² / ₆₄ " (1 cm) |
| G | 14 ⁹ / ₁₆ " (37 cm) |
| H | 6" (15.2 cm) |
| I* | 1/2" (1.27 cm) |

I* - Metallic spacers has to be installed and used when cabinet depth is greater than 12".

Para instalaciones sobre estufas de gas: Monte la campana de modo que su cara inferior esté a una distancia mínima de 30" (76.2 cm) por sobre la superficie de cocción.

Para instalaciones sobre estufas eléctricas: Monte la campana de modo que su cara inferior esté a una distancia no menor a 24" (61 cm).

Lista de Materiales

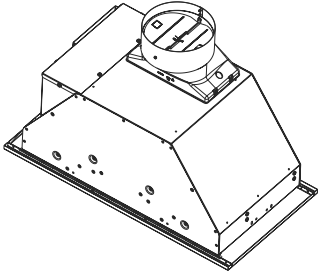
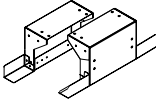

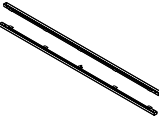



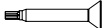



Remoción de la confección.

⚠ PRECAUCIÓN

Quite la caja cuidadosamente, use guantes para protegerse contra los bordes afilados.

⚠ ADVERTENCIA

Quite la película de protección que cubre el producto antes de ponerlo en funcionamiento.

| Piezas suministradas | Piezas | Piezas suministradas | Piezas |
|--|--------|---|--------|
|  <p>Campana y lámparas LED previamente instaladas</p> | 1 |  <p>Soportes de montaje</p> | 2 |
|  <p>4.5x13 mm</p> | 8 |  <p>Espaciadores metálicos (usarse cuando la profundidad del gabinete es mayor a 12")</p> | 2 |
|  <p>4.2x15 mm</p> | 2 |  <p>3.5x9.5 mm</p> | 6 |
|  <p>3.5x9.5 mm</p> | 4 |  <p>Adaptador Torx #10</p> | 1 |
|  <p>4.2x19 mm</p> | 8 |  <p>Rondana de Ø 6.4x18 mm</p> | 8 |
| | |  <p>Rondana de Ø 6.4x18 mm</p> | 8 |

Piezas no suministradas

Herramientas/Materiales necesarios

- Nivel
- Taladro con brocas de 1/4" (3.2 cm), 1/8" (3.2 mm) y 1/16" (4.8 mm)
- Lápiz
- Pelacables o cuchillo de uso general
- Cinta de medir o regla
- Pinzas
- Pistola para calafateo y masilla para calafateo a prueba de agua
- Abrazaderas para ducto de ventilación
- Sierra de vaivén o sierra caladora
- Tijeras de hojalatero
- Destornilladores:
 - Phillips
 - De hoja plana

Accesorios opcionales

| KIT | # Parte | |
|-------------------------|----------|----------|
| Kit Recirculante | KIT02770 | |
| Filtro de grasa | GF08PA | |
| Hood Liner | KIT02773 | KIT02774 |

Opciones de ducto

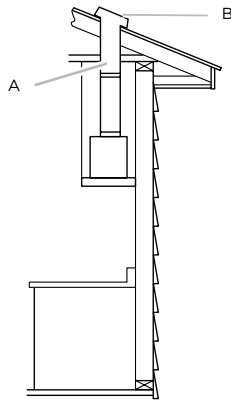
Siga detenidamente las instrucciones expuestas en este manual.

Se declina toda responsabilidad de cualquier inconveniencia, daños o incendios eventuales ocasionados por el incumplimiento de las instrucciones de este manual.

Salida de escape

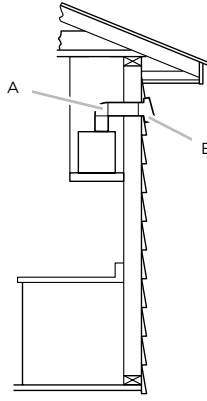
La campana está equipada con una transición redonda de 6" (15.2 cm) para descargar gases y vapor procedentes de la cocina al exterior.

Ventilación a través de techo



A. Ducto de 6" (15.2 cm) a través del techo
B. Boquilla para el techo

Ventilación a través de pared



A. Ducto de 6" (15.2 cm) a través del techo
Boquilla para pared

Preparación

No corte una vigueta o un perno a menos que sea absolutamente necesario. Si fuera necesario efectuar el corte, deberá construirse un marco de soporte.

Se suministra el material de ajuste necesario para fijar la campana a la mayoría de tipos de muro o techo.

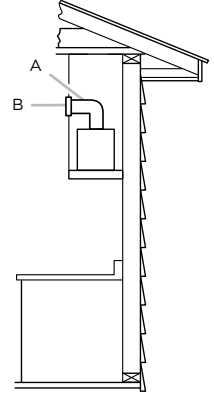
No obstante, un técnico cualificado debe comprobar la idoneidad de los materiales de acuerdo con el tipo de muro o techo.

Antes de efectuar algún corte, asegúrese de que existe el espacio libre adecuado en el techo o muro para la expulsión del aire.

Sin ducto de escape (recirculante)

En caso de que no sea posible la descarga de gases y del vapor procedentes de la cocina al exterior, la campana se puede utilizar en la versión sin tubos (Recirculación).

Únicamente para esta versión: adquiera el Kit Recirculante. Tamaño mínimo del ducto: Tubería redonda de 6" (15.2 cm).



A. Ducto de 6" (15.2 cm) a través del gabinete
B. Rejilla redonda

⚠ PRECAUCIÓN

Para la instalación de estufas de gas: instale esta campana de tal manera que la cornisa inferior se encuentre a 30" (76,2 cm) sobre la superficie de cocción.

Para la instalación de estufas eléctricas/inducción: instale esta campana de tal manera que la cornisa inferior se encuentre a no menos de 24" (61 cm) sobre la superficie de cocción.

No hay una altura máxima de instalación, sin embargo, se recomienda no instalar esta campana a más de 36" (91.4 cm) sobre la superficie de cocción. Por cada pulgada (2.54 cm) superior a 36" (91.4 cm), disminuirá la eficiencia en la captura de humo y humedad, así como el desempeño de ventilación.

Para uso electrodoméstico.

POR FAVOR, LEA EL MANUAL DE INSTALACIÓN PARA UNA INSTALACIÓN ESPECÍFICA. Antes de seleccionar la campana, compruebe la altura del techo y la altura máxima de la campana.

Instrucciones de instalación

Prepare ubicación

- Se recomienda que el sistema de ventilación sea instalado antes de que se instale la campana.
- Antes de hacer los recortes, asegúrese que haya suficiente espacio libre dentro del techo o la pared para el ducto de escape.
- Revise la altura de su techo y la altura máxima de la campana antes de seleccionarla.

- 1 Desconecte el suministro de energía.
- 2 Decida qué método de ventilación usar: a través del techo, de la pared o sin ducto.
- 3 Seleccione una superficie plana para ensamblar la campana para cocina. Cubra dicha superficie.

⚠ ADVERTENCIA

PELIGRO DE PESO EXCESIVO
 USE DOS O MÁS PERSONAS PARA MOVER E INSTALAR LA CAMPANA DE COCINA.
 NO SEGUIR ESTA INSTRUCCIÓN PUEDE OCASIONAR UNA LESIÓN EN LA ESPALDA U OTRO TIPO DE LESIONES.

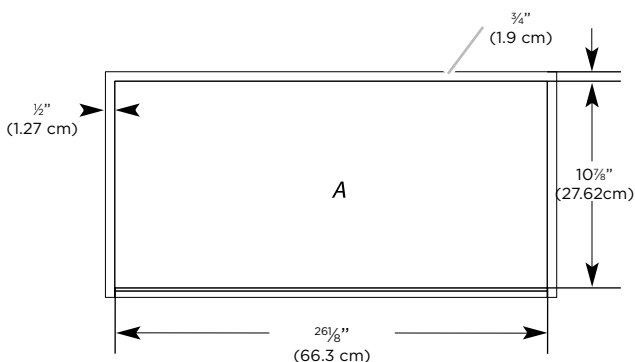
- 4 Con la ayuda de 2 ó más personas, levante la campana de cocina y colóquela en la superficie cubierta.

Cortes al gabinete

- 1 Use una sierra de vaivén o caladora para cortar la base del armario dentro del marco del mismo.

NOTA: Los gabinetes sin marco requieren una franja de $\frac{3}{4}$ " (1.9 cm) en la parte inferior del gabinete.

Dimensiones de corte (sin espaciadores)



A. Corte inferior de gabinete

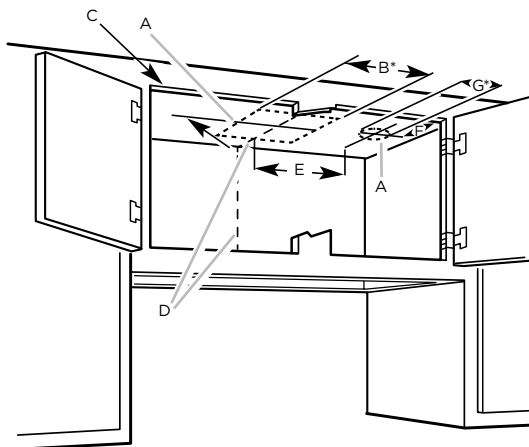
- 2 Complete la preparación del gabinete siguiendo las instrucciones para el tipo de ventilación que ha elegido. Determine los cortes para el ducto de ventilación en el gabinete, pared o techo.

Ventilación hacia el exterior a través del techo

- 1 Mida y marque las líneas como se muestra. Use una sierra para hacer una apertura a través de la cara superior del gabinete y el techo para el sistema de ventilación.

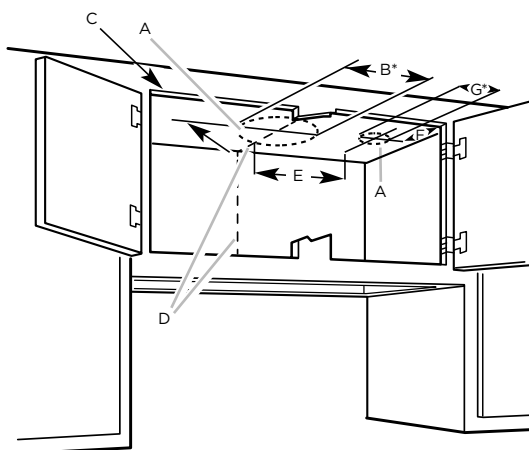
Especificaciones del corte

| Altura del gabinete | Forma y tamaño del orificio |
|---------------------|---|
| 12" (30.5 cm) | Se necesita una abertura rectangular de $8\frac{17}{64}$ " de ancho x $6\frac{1}{4}$ " de profundidad (21 cm x 15.9 cm) en la parte superior del armario para tener un espacio para la pieza de transición de la compuerta. |



- A. Corte
- B. $8\frac{17}{64}$ " (21 cm) x $6\frac{1}{4}$ " (15.9 cm)*
- C. $7\frac{3}{4}$ " (19.7 cm) de la línea central al frente del gabinete
- D. Línea central del gabinete
- E. $4\frac{2}{5}$ " (10.6 cm)
- F. $4\frac{9}{10}$ " (12.5 cm) centro al frente del gabinete
- G. \emptyset (6 cm)*

| Altura del gabinete | Forma y tamaño del orificio |
|---------------------|--|
| 15" (38.1 cm) | Se necesita una abertura redonda con diámetro de $6\frac{1}{4}$ " (15.9 cm). |

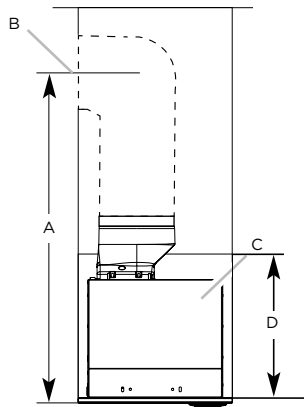


- A. Corte
- B. \emptyset $6\frac{1}{4}$ " (15.9 cm)*
- C. $7\frac{1}{2}$ " (19 cm) de la línea central al frente del gabinete
- D. Línea central del gabinete
- E. $4\frac{2}{5}$ " (10.6 cm)
- F. $4\frac{9}{10}$ " (12.5 cm) centro al frente del gabinete
- G. \emptyset (6 cm)*

- 1 Si aún no está sujeto, instale la transición de 6" (15.2 cm) a la parte superior de la campana usando 2 tornillos de 3.5 x 9.5 mm.

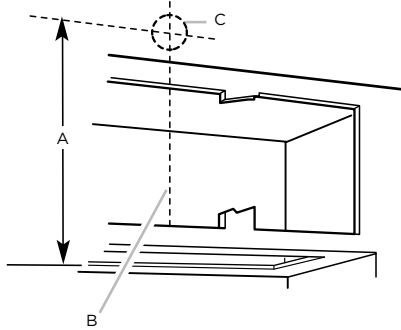
Ventilación hacia el exterior a través de la pared

- 1 Mida desde la parte de abajo del revestimiento de la campana hasta la línea central horizontal de la abertura de ventilación (A).



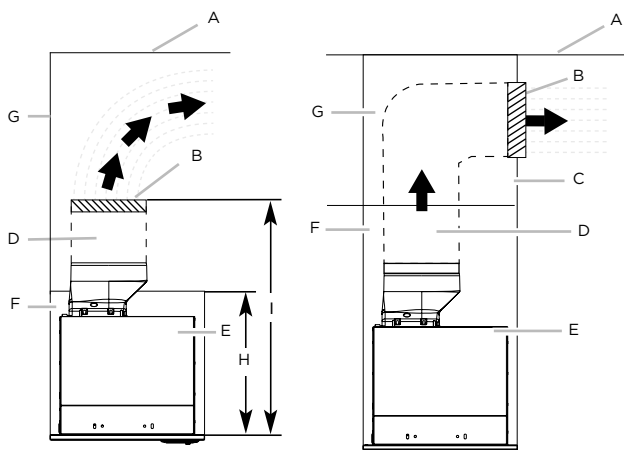
- A. Medida A
- B. Línea de centro horizontal de la abertura de ventilación
- C. Revestimiento de la campana
- D. Altura mínima del gabinete de 12" (30.5 cm)

- 2 Retire el ducto de escape del revestimiento de la campana para cocina. Transfiera la medida A a la pared posterior del gabinete. Mida desde la parte de abajo del gabinete.
- 3 Marque el recorte como se muestra. Use una sierra de vaivén o caladora para cortar una abertura redonda a través de la parte posterior del gabinete y de la pared exterior para el ducto de escape.



- A. Medida A
- B. Línea central
- C. Corte redondo de 6 1/4" (15.9 cm)

Instalación sin ductos (recirculante) a través del gabinete

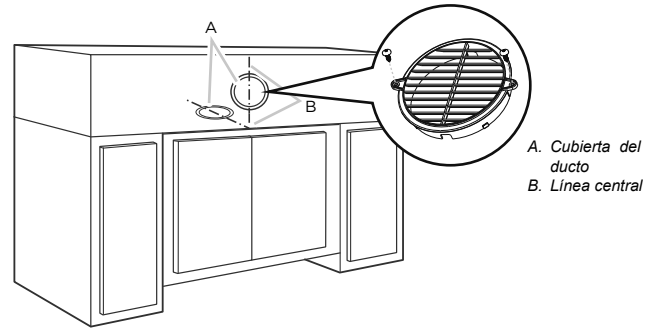


- A. Techo
- B. Cubierta del ducto
- C. Sofito
- D. Ducto de 6" (15.2 cm)
- E. Campana

- A. Gabinete
- B. Pared
- C. Altura mínima del gabinete: 12" (30.5 cm)
- D. Altura mínima de la cubierta del ducto: 17" (43.2 cm)

- 1 Mida y marque la línea central del armario al soffito que está encima.

- 2 Mida desde la base del armario hasta la línea central de donde el ducto de escape atravesará el soffito. Marque la ubicación y use una sierra de vaivén o caladora para cortar un orificio de 5 3/4" (14.6 cm) para la cubierta del ducto. Sujete la cubierta del ducto de escape con dos tornillos de 4.5 x 13 mm.



- A. Cubierta del ducto
- B. Línea central

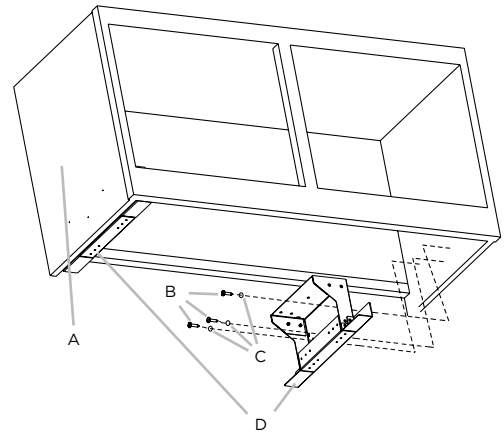
***NOTA:** Para gabinetes con altura de 12" (30.5 cm), se necesita una abertura rectangular de 6 1/4" de profundidad x 8" de ancho (14.6 cm x 20.3 cm) en la parte superior del armario para tener un espacio para pieza de transición de la compuerta.

- 3 Considere las especificaciones de las medidas de corte para hacer las aberturas del gabinete.

Complete la preparación

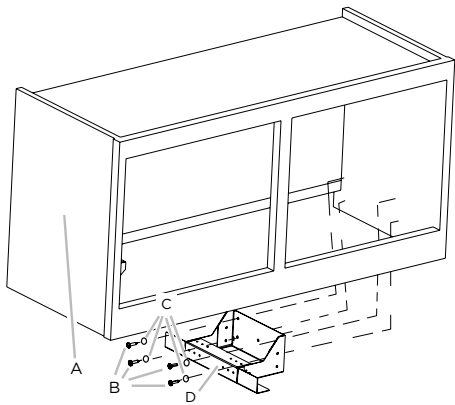
- 1 Si aún no está sujeto, instale la transición de 6" (15.2 cm) a la parte superior de la campana usando 2 tornillos de 3.5 x 9.5 mm.
- 2 Ubique el soporte de montaje lateral al ras con la base del lado del armario y contra el interior de la cara frontal del armario. Oriente el soporte como se muestra en la ilustración a continuación. Taladre orificios piloto de 1/8" (3 mm) en 8 lugares, sujete un soporte con cuatro tornillos de 4.5 x 13 mm a cada lado del armario y apriete.

Orientación del soporte al gabinete de 30" (76.2 cm)

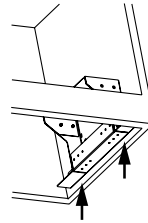


- A. Gabinete de 30" (76.2 cm)
- B. 8 tornillos - 4.5 x 13 mm
- C. Rondanas (opcionales)
- D. 2 soportes de montaje (posición para gabinetes de 30" [76.2 cm])

Orientación del soporte al gabinete de 30" (76.2 cm)



- A. Gabinete de 30" (76.2 cm)
- B. 8 tornillos - 4.5 x 13 mm
- C. Rondanas (opcionales)
- D. 2 soportes de montaje (posición para gabinete de 30" [76.2 cm])



Mueva $\frac{1}{16}$ " (1 cm) hacia arriba el soporte desde el borde inferior de la campana.

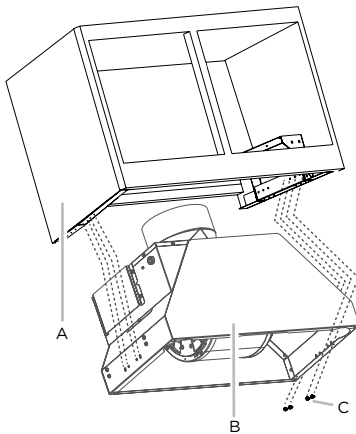
- 3 Instale el sistema de ventilación de acuerdo al método necesario. Use masilla de calafateo para sellar todas las aberturas.

Instalación de la Campana

⚠ PRECAUCIÓN

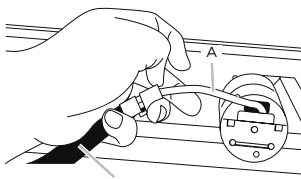
PELIGRO DE PESO EXCESIVO
USE DOS O MÁS PERSONAS PARA MOVER E INSTALAR LA CAMPANA DE COCINA.
NO SEGUIR ESTA INSTRUCCIÓN PUEDE OCASIONAR UNA LESIÓN EN LA ESPALDA U OTRO TIPO DE LESIONES.

- 1 Con la ayuda de 2 ó más personas, levante el revestimiento de la campana y colóquelo dentro de su ubicación en el montaje. Sujételo con cuatro tornillos Phillips 4.2 x 19 mm dentro de las aberturas ranuradas. No apriete los tornillos.
- 2 Centre la campana al gabinete. Mantenga alineados la cara inferior del gabinete con el borde inferior del gabinete. Inserte cuatro tornillos de 4.2 x 19 mm en las aberturas redondas de la placa de montaje y apriete todos los tornillos de montaje (8).



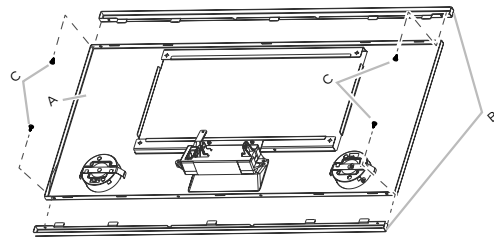
- A. Gabinete
- B. Ensamble de la campana
- C. 8 tornillos - 4.2 x 19 mm

- 3 Remueva los filtros metálicos de grasa del panel frontal.
- 4 Realice la conexión del conector de las lámparas con el conector de la campana que se encuentra dentro de la campana como se muestra en el diagrama.

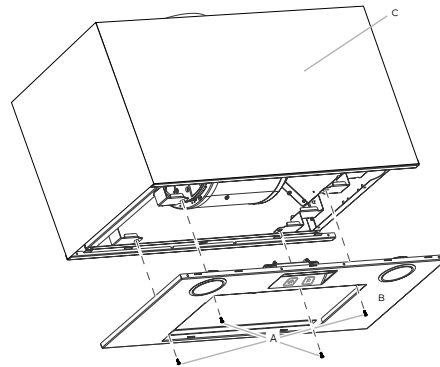


- A. Conector de las lámparas
- B. Conector de la campana

- 5 Sujete el panel inferior al cuerpo de la campana. **NOTA:** Si la profundidad del gabinete es superior a 12", es recomendable que dos espaciadores metálicos de $\frac{1}{2}$ " sean instalados. Instálelos en las partes frontal y trasera del panel con 4 tornillos de 3.5 x 9.5 como lo muestra el dibujo.



- A. Panel frontal
- B. Barras espaciadoras
- C. 4 tornillos - 3.5 x 9.5 mm



- A. 4 tornillos de hoja plana- 3.5 x 9.5 mm
- B. Panel frontal
- C. Gabinete

Conecte el sistema de ventilación

Instalaciones con ducto de salida de aire

- 1 Conecte el ducto del sistema de ventilación a la abertura de la campana de cocina. Selle la conexión con las abrazaderas.

Instalaciones sin ducto de escape (con recirculante)

- 1 Conecte el sistema de ventilación a la abertura de la campana de cocina; selle la conexión con las abrazaderas.
- 2 Instale los filtros de carbón. Para ordenar kits de reemplazo, vea la sección "Accesorios".

Complete la Instalación

- 1 Vuelva a colocar los filtros para grasa. Consulte la sección de "Mantenimiento".

⚠ ADVERTENCIA

PELIGRO DE CHOQUE ELÉCTRICO

⚠ ADVERTENCIA

CONECTE A UN CONTACTO DE PARED DE CONEXIÓN A TIERRA DE 3 TERMINALES.

NO quite LA TERMINAL DE CONEXIÓN A TIERRA.

NO USE UN ADAPTADOR.

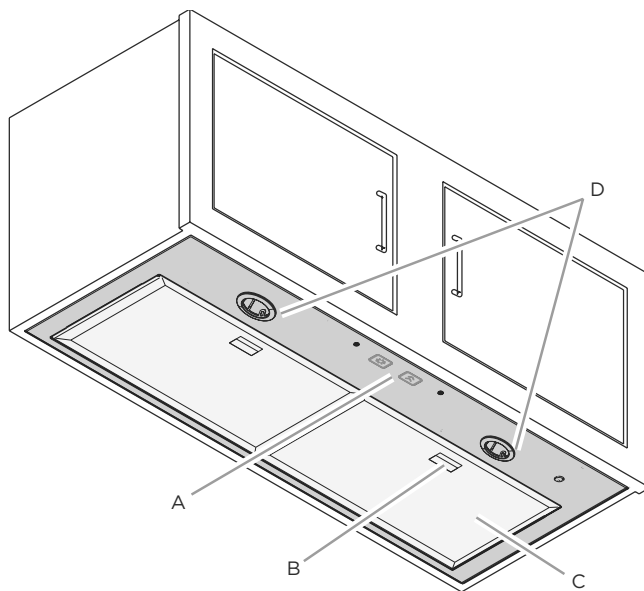
NO USE UN CABLE ELÉCTRICO DE EXTENSIÓN.

NO SEGUIR ESTAS INSTRUCCIONES PUEDE OCASIONAR LA MUERTE, INCENDIO O CHOQUE ELÉCTRICO.

- 1 Enchufe el cable eléctrico de 3 terminales en un contacto de 3 terminales con conexión a tierra, dentro del armario, por encima de la campana para cocina.
- 2 Verifique el funcionamiento del ventilador de la campana de cocina y la luz. Consulte la sección "Descripción de la campana". Si la campana de cocina no funciona, revise si se ha disparado un cortacircuitos o si se ha quemado un fusible doméstico. Desconecte el suministro eléctrico y revise las conexiones de cableado.

NOTA: Para obtener un uso más eficaz de su nueva campana de cocina, lea la sección "Descripción de la campana".

Descripción de la Campana



- A. Botones de luz y motor
- B. Manija del filtro de grasa
- C. filtro de grasa
- D. Luces LED

Funcionamiento de la luz

El botón de encendido/apagado de la luz (A) controla ambas luces.



Pulse una vez para encender la luz suave y el icono del sol del botón se iluminará con la mitad inferior del borde ligeramente.



Pulse de nuevo para la luz normal y el botón se iluminará por completo.



Púselo una tercera vez para apagar la luz, toda la iluminación del botón se apagará también.

Funcionamiento del motor



Pulse el botón (B) para encender la campana a baja velocidad, el icono y la esquina inferior derecha del borde del botón se iluminan.



Pulse una segunda vez para velocidad media, el icono y la mitad inferior del borde en el botón se iluminan.



Pulse de nuevo para velocidad alta y se iluminarán $\frac{3}{4}$ del borde en el botón.

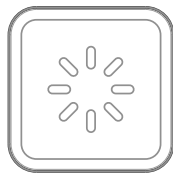


Pulse el botón una cuarta vez para activar la velocidad Boost durante cinco minutos (el icono y el borde completos se iluminarán) y, a continuación, pasará automáticamente a la velocidad alta.



Pulse el botón una quinta vez para apagar el motor y las luces del botón.

Control



A



B

- A. Botón de la luz
- B. Botón del motor

Cambiar el color de la luz

Con las luces y el motor apagados, mantenga pulsado el botón de luz durante 3 segundos, ambos botones se iluminarán completamente en el color de luz actual. Los botones se pueden utilizar para seleccionar el color deseado (Luz << botón hacia atrás, botón de soplado hacia adelante >>). Los colores de luz disponibles son blanco (color por defecto), azul, verde o rojo. Para ajustar el color, elija uno y pulse ambos botones al mismo tiempo.

Sonido

Para entrar en el modo de sonido, con las luces y el motor apagados pulse ambos botones al mismo tiempo y la esquina superior izquierda del botón de luz se iluminará con luz blanca. Los botones se pueden utilizar para seleccionar el sonido deseado (Luz <<botón hacia atrás, botón de soplado hacia adelante>>).

Los sonidos de retroalimentación disponibles son el pitido regular, el pitido suave y el silencio. Al seleccionar el pitido regular y el pitido suave, la campana reproducirá cada sonido. Cuando se selecciona el silencio, la esquina superior izquierda del botón de luz se iluminará con luz roja. Para ajustar el sonido, elija uno y pulse ambos botones al mismo tiempo.

Reducción de CFM

Antes de poner en funcionamiento su campana:

Algunos estados y provincias de Estados Unidos y Canadá restringen el flujo de aire máximo de las campanas extractoras. El flujo de aire se mide en pies cúbicos por minuto (CFM). Estos niveles máximos permitidos se detallan en el código local de su zona. Por favor, compruebe los códigos locales para saber si es necesario restringir el flujo de aire máximo de su campana. Si su código local exige un nivel de flujo de aire máximo inferior al flujo de aire máximo de esta campana (es decir, 400 CFM), ejecute el procedimiento siguiente para reducir el flujo de aire máximo.

Con el motor y la luz apagados:

- Mantenga pulsados ambos botones al mismo tiempo durante 3 segundos, oirá un pitido y las luces del icono (sin borde) se iluminarán durante 3 segundos.
- Esta acción desactivará la velocidad 4 y reducirá efectivamente el flujo de aire máximo a > 300 CFM.
- Localice la pegatina de certificación de CFM en el paquete de hardware.
- Este adhesivo proporciona una certificación oficial a su inspector local de que el flujo de aire máximo de esta campana se ha reducido a > 300 CFM.

Indicadores de saturación del filtro:

A intervalos regulares, la campana indica la necesidad de realizar el mantenimiento del filtro.

El icono del botón del soplador parpadea (sin borde):

Realice el mantenimiento del filtro de grasa.

Parpadeo del botón de luz (sin borde):

Realice el mantenimiento del filtro de carbón activado.

Restablecimiento de los indicadores de saturación del filtro:

Con el soplador apagado, mantenga pulsado el botón del soplador durante 3 segundos.

Activación del indicador de saturación del filtro de carbón activado:

NOTA: Esta operación debe realizarse con la campana apagada. Este indicador está normalmente desactivado; mantenga pulsado el botón de soplado durante 3 seg. para activar la función: el botón parpadea durante 1 seg. Para desactivar la función, mantenga pulsado el botón de soplado durante 3 segundos, el botón parpadea durante medio segundo.

NOTA: Los botones del Panel de Control se encenderán mientras la campana esté encendida.

Funcionamiento de la luz

El botón de encendido/apagado de la luz (1) controla ambas luces. Presione una vez "encendido" y nuevamente para "apagado".

Funcionamiento del motor

El botón de encendido/apagado del motor (2) enciende y apaga el motor.

Los botones de la velocidad del motor (3, 4 y 5) establece la velocidad deseada y controla el nivel de sonido para un funcionamiento silencioso.

La velocidad puede cambiar en cualquier momento durante el funcionamiento de la campana al presionar el botón con la velocidad deseada del motor.

- 1 Para encender el motor, presione el botón de encendido/apagado del motor (2) y la velocidad deseada con los botones de velocidad (3, 4 ó 5).
- 2 Para apagar el motor, presione el botón de encendido/apagado del motor (2).

Cualquiera de los tres botones de velocidad del motor, pueden estar en la posición de "encendido" al mismo tiempo. El motor operará la velocidad máxima que se encuentre presionada. Para velocidades menores del motor, los botones de mayor velocidad no deben estar presionados.

Mantenimiento

Limpieza

IMPORTANTE: Limpie con frecuencia la campana y los filtros para grasa de acuerdo a las instrucciones a continuación. Vuelva a colocar los filtros para grasa antes de poner a funcionar la campana.

Superficies exteriores:

Para evitar daños a la superficie exterior, no use estropajos de acero ni jabonosos. Siempre séquela con un paño para evitar manchas de agua.

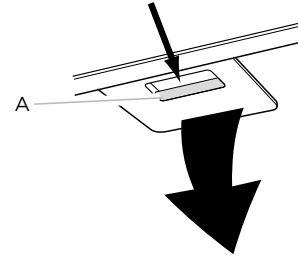
Método de limpieza:

- Detergente líquido y agua o producto de limpieza general
- Límpiela con un paño suave húmedo o una esponja no abrasiva, enjuáguela con agua limpia y séquela con un paño.

Reemplazo de los filtros de grasa metálicos

Los filtros deberán lavarse con frecuencia. Coloque los filtros metálicos en la lavavajillas o con una solución caliente de detergente para limpiarlos. Deje que el filtro se seque por completo antes de volver a colocarlo. Apague el ventilador y las luces.

- 1 Remueva cada filtro jalando la manija y después bajando el filtro.



- 2 Lave los filtros metálicos cuando sea necesario en lavaplatos o solución jabonosa caliente.
- 3 Vuelva a instalar el filtro asegurándose de que las manijas de liberación con resorte estén mirando hacia el frente. Inserte el filtro de metal para grasa dentro de la guía superior.
- 4 Jale hacia abajo la manija de liberación con resorte.
- 5 Empuje el filtro de metal hacia arriba y suelte la manija para que se traben en su lugar.
- 6 Repita los pasos 1 a 5 para el otro filtro.

Reemplazo de las lámparas LED

Las luces LED son reemplazables sólo por un técnico de servicio. Vea la sección "A quién contactar" para la información de contacto del servicio.

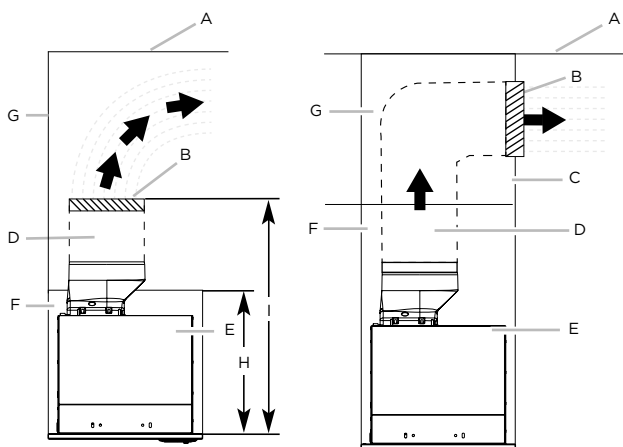


| Lámpara LED empotrable | |
|------------------------|---------------|
| Potencia asignada | 2 x 2.1 W |
| Potencia máxima | 2.5 W |
| Tensión asignada | 3 V- |
| Tipo de socket | n/a |
| Dimensiones | Ø 67mm x 20mm |

Accesorios

Kit Recirculante

Si no es posible ventilar los humos y vapores de cocina al exterior, la campana puede ser usada en su versión filtrante (recirculante), usando filtros de carbón. El kit recirculante está disponible con el distribuidor de partes autorizado.

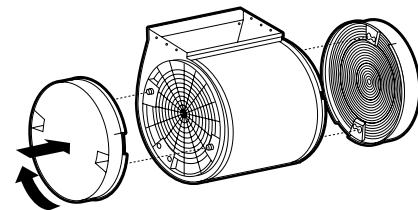


A. Techo
B. Cubierta del ducto
C. Sofito
D. Ducto de 6" (15.2 cm)
E. Campana

A. Gabinete
B. Pared
C. Altura mínima del gabinete: 12" (30.5 cm)
D. Altura mínima de la cubierta del ducto: 17" (43.2 cm)

NOTA: Los gabinetes con una altura de 12" (30.5 cm) sin sofito permiten que la cubierta de ducto y el ducto de 6" sean visibles.

- 1 Cubra la rejilla que protege el motor del motor con el filtro de carbón, de manera que las ranuras del filtro coincidan con las espigas en los lados de la rejilla del motor.
 - 2 Gire el filtro de carbón hacia la derecha para asegurarlo.
- Los filtros de carbón ya no pueden ser limpiados. Deben ser reemplazados cada 4-6 meses (dependiendo de su uso).
 - Remueva las ataduras de cables que se encuentran en el filtro de carbón para poder moverlo hacia la derecha.



Kit de extensión de cubierta

- Para proveer de protección al gabinete, también se encuentra disponible una extensión de cubierta de 30" ancho x 17" ó 20" de profundidad.
- Para proveer de protección al gabinete, también se encuentra disponible una extensión de cubierta de 36" ancho x 17" ó 20" de profundidad.

Vea las instrucciones de instalación de la extensión de cubierta para más información.

ELICA North America

GARANTÍA LIMITADA DE DOS AÑOS

Registre su producto en

elica.com

y gane un 3^{er} año de garantía de fábrica que cubre todas las partes además de la mano de obra.

PARA OBTENER SERVICIO DENTRO DE GARANTÍA

El propietario debe presentar su recibo original de la compra. Guarde por favor una copia de su recibo de compra como prueba, para recibir el servicio dentro del periodo de garantía.

PARTES Y GARANTÍA DE SERVICIO

Por el periodo de dos (2) años desde la fecha original de la compra, Elica proveerá, gratuitamente, partes no-consumibles o componentes que hayan fallado debido a defectos de fabricación. Durante estos dos (2) años de garantía limitada, Elica también proveerá gratuitamente, todo el servicio en casa y mano de obra necesaria para reemplazar cualquier parte defectuosa.

QUÉ NO ESTÁ CUBIERTO

- Daños o fallas del producto causados por accidente o actos de Dios, tales como inundaciones incendios o terremotos.
- Daños o fallas causadas por alteración del producto o por el uso de partes no-originales.
- Daños o fallas del producto causados durante la entrega, manejo o instalación.
- Daños o fallas del producto causados por abuso del usuario.
- Daños o fallas del producto causados por reemplazo de fusibles dañados o reseteo de interruptor de circuito.
- Daño o fallas causados por el uso del producto en un ambiente comercial (no doméstico).
- Viajes de servicio para proporcionar orientación de uso o instalación.
- Bombillas, filtros de carbón o metal y cualquier otra parte consumible.
- Desgaste normal.
- Desgaste terminal debido a abusos del usuario, mantenimiento inadecuado, uso de productos / toallas de limpieza corrosivos o abrasivos y por uso de limpiadores para hornos.
- Cuando el producto no hubiese sido operado de acuerdo con el instructivo de uso que se le acompaña.

QUIÉN ESTÁ CUBIERTO

Esta garantía se extiende al comprador original de productos adquiridos para uso residencial en Norte América (incluyendo Estados Unidos, Guam, Puerto Rico, Islas Vírgenes de EU y Canadá).

Esta garantía no es transferible y aplica solamente al comprador original y no se extiende a propietarios subsecuentes del producto. Esta garantía se expresa en lugar de otras garantías, expresadas o implícitas, incluyendo, pero no limitada a ninguna garantía implícita de comercialización o adaptada para propósitos particulares y cualquier otra obligación por parte de Elica North America, considerando, sin embargo, que si la negación de garantías implícitas es inefectiva bajo la ley aplicable, la duración de cualquier garantía implícita será limitada a dos (2) años desde la fecha original de compra o por el periodo necesario como sea requerido por la ley aplicable.

Esta garantía no cubre cualquier daño especial, incidental y/o consecuente, ni pérdidas de ganancias, sufridas por el comprador original, sus clientes y/o usuarios del producto.

A QUIÉN CONTACTAR

Para obtener Servicio bajo Garantía o para cualquier pregunta relacionada a Servicio:
Favor de llamar a:

- **USA & CANADA - Provincias Occidentales**
SERVICE POWER
888 732 8018
elica@servicepower.com
- **CANADA - Provincia de Ontario**
AGI Services
888 651 2534
service@agintl.qc.ca
- **CANADA - Provincias de Quebec & Atlántico**
Ateliers G. Paquette
800 463 0119
service@ateliersgpaquette.com

Para garantizar un rápido servicio postventa, cuando llame le pediremos que amablemente brinde la siguiente información que se indica en la placa de identificación que está dentro de la campana: **modelo de campana, 12 NC y fecha de compra en su factura original**. Para acceder a la placa de identificación, todo lo que tiene que hacer es quitar los filtros de grasa.

12NC: _____

Modelo de campana: _____

No. Serie: _____

Fecha de compra en su factura original: _____

