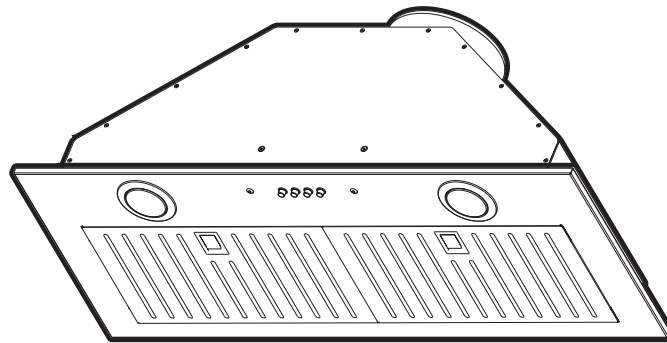


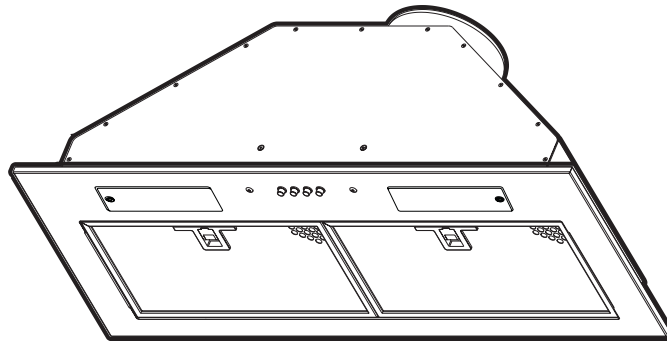
Installation Instructions Guide

Instructions d'installation Guide

Guía de Instrucciones para Instalación



Model: EPR628SS



Model: EAS428SS

READ AND SAVE THESE INSTRUCTIONS
INSTRUCTIONS D'INSTALLATION GUIDE
LEA Y GUARDE ESTAS INSTRUCCIONES

English p. 3
Français p. 14
Español p. 25

Table of Contents

Important Safety Notice	3
Tools and parts	4
Location Requirements	4
Product Dimensions	4
Venting Requirements	5
Venting Methods	6
Calculating Vent System Length	6
Electrical Requirements.....	6
Installation Instructions	7
Prepare Location.....	7
Install range hood.....	9
Connect the Vent System.....	10
Complete Installation.....	10
Range Hood Use.....	11
Range Hood Care.....	11
Available Accessories.....	12
Warranty.....	13

APPROVED FOR RESIDENTIAL APPLIANCES FOR RESIDENTIAL USE ONLY READ AND SAVE THESE INSTRUCTIONS

**PLEASE READ ENTIRE INSTRUCTIONS BEFORE PROCEEDING.
INSTALLATION MUST COMPLY WITH ALL LOCAL CODES.**

IMPORTANT: Save these Instructions for the Local Electrical Inspector's use.

INSTALLER: Please leave these Instructions with this unit for the owner.

OWNER: Please retain these instructions for future reference.

Safety Warning: Turn off power circuit at service panel and lock out panel before wiring this appliance.

Requirement 120 VAC, 60 Hz. 15 or 20 A Branch Circuit

IMPORTANT SAFETY INSTRUCTIONS

WARNING: TO REDUCE THE RISK OF FIRE, ELECTRIC SHOCK, OR INJURY TO PERSONS, OBSERVE THE FOLLOWING:

- Use this unit only in the manner intended by the manufacturer. If you have questions, contact the manufacturer.
- Before servicing or cleaning the unit, switch power off at service panel and lock the service disconnecting means to prevent power from being switched on accidentally. When the service disconnecting means cannot be locked, securely fasten a prominent warning device, such as a tag to the service panel.
- Installation work and electrical wiring must be done by qualified person(s) in accordance with all applicable codes and standards, including fire-rated construction.
- Sufficient air is needed for proper combustion and exhausting of gases through the flue (chimney) of fuel burning equipment to prevent backdrafting. Follow the heating equipment manufacturer's guideline and safety standards such as those published by the National Fire Protection Association (NFPA), the American Society for Heating, Refrigeration and Air Conditioning Engineers (ASHRAE), and the local code authorities.
- When cutting or drilling into wall or ceiling; do not damage electrical wiring and other utilities.
- Ducted fans must always be vented outdoors.

CAUTION: For general ventilating use only. Do not use to exhaust hazardous or explosive materials and vapors.

CAUTION: To reduce risk of fire and to properly exhaust air, be sure to duct air outside - do not vent exhaust air into spaces within walls or ceilings, attics or into crawl spaces, or garages.

WARNING: TO REDUCE THE RISK OF FIRE, USE ONLY METAL DUCTWORK

WARNING: TO REDUCE THE RISK OF A RANGE TOP GREASE FIRE:

- Never leave surface units unattended at high settings. Boilovers cause smoking and greasy spillovers that may ignite. Heat oils slowly on low or medium settings.
- Always turn hood ON when cooking at high heat or when flambeing food (i.e. Crepes Suzette, Cherries Jubilee, Peppercorn Beef Flambé).
- Clean ventilating fans frequently. Grease should not be allowed to accumulate on fan or filter.
- Use proper pan size. Always use cookware appropriate for the size of the surface element.

WARNING: TO REDUCE THE RISK OF INJURY TO PERSONS IN THE EVENT OF A RANGE TOP GREASE FIRE, OBSERVE THE FOLLOWING:^a

- **SMOTHER FLAMES** with a close fitting lid, cookie sheet, or metal tray, then turn off the burner. **BE CAREFUL TO PREVENT BURNS.** If the flames do not go out immediately, **EVACUATE AND CALL THE FIRE DEPARTMENT.**
- **NEVER PICK UP A FLAMING PAN** - you may get burned.
- **DO NOT USE WATER**, including wet dishcloths or towels - a violent steam explosion will result.
- Use an extinguisher **ONLY** if:
 - You know you have a class ABC extinguisher, and you already know how to operate it.
 - The fire is small and contained in the area where it started.
 - The fire department is being called.
 - You can fight the fire with your back to an exit.

^aBased on "Kitchen Fire Safety Tips" published by NFPA.

WARNING: To reduce the risk of fire or electrical shock, do not use this fan with any solid-state speed control device.

READ AND SAVE THESE INSTRUCTIONS

Tools and Parts

Gather the required tools and parts before starting installation. Read and follow the instructions provided with any tools listed here.

Tools needed (all models)

- Level
- Drill
- 1/8" (3.0 mm) drill bit
- Pencil
- Pliers
- Tape measure or ruler
- Caulking gun and weatherproof caulking compound
- Flat-blade screwdriver
- Phillips screwdriver
- Saber or keyhole saw
- Metal snips
- Vent clamps

Parts Supplied

Remove parts from packages. Check that all parts are included.

- 1 - 30" x 12" (76.2 x 30.5 cm) face panel
- Damper
- 2 - 40W incandescent lamps (only model EAS428SS)
- 2 - 50W halogen lamps (only model EPR628SS)
- 2 - Metal grease filters
- 2 - Mounting brackets
- 2 - Metal spacers (for use when cabinet depth is greater than 12")
- Hardware package. Includes:
 - Installation Instructions and Use and Care Guide
 - 8 - metal washers
 - 8 - plastic washers
 - 8 - 4.5 x 13 mm wood screws
 - 2 - 4.2 x 15 mm machine screws
 - 4 - 3.5 x 9.5 mm flat-head sheet metal screws
 - 8 - 4.2 x 19 mm sheet metal screws
 - 6 - 3.5 x 9.5 mm sheet metal screws
 - T10 TORX®† adapter

Parts needed

- 6" (15.2 cm) round metal vent system

Location Requirements

IMPORTANT: Observe all governing codes and ordinances.

Have a qualified technician install the range hood. It is the installer's responsibility to comply with installation clearances specified on the model/serial rating plate. The model/serial rating plate is located inside the liner behind the filter on the left wall of the range hood.

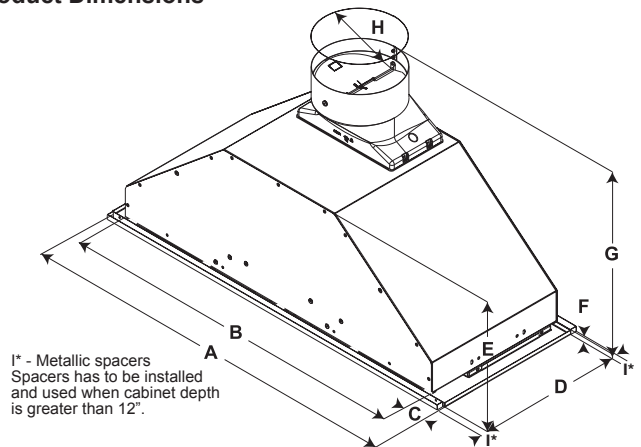
Range hood location should be away from strong draft areas, such as windows, doors, and strong heating vents. Cabinet opening dimensions that are shown must be used. Given dimensions provide minimum clearance. Consult your cooktop/ range manufacturer installation instructions before making any cutouts. Grounded electrical outlet is required. See "Electrical Requirements" section.

The range hood is factory set for vented installations through the roof or wall. For non-vented (recirculating) installations see "Non-Vented (recirculating) Installation Through the Soffit/Cabinet" in the "Prepare Location" section. Recirculation Kit Part is available from your dealer or an authorized parts distributor. All openings in ceiling and wall where range hood will be installed must be sealed.

For Mobile Home Installations

The installation of this range hood must conform to the Manufactured Home Construction Safety Standards, Title 24 CFR, Part 328 (formerly the Federal Standard for Mobile Home Construction and Safety, title 24, HUD, Part 280) or when such standard is not applicable, the standard for Manufactured Home Installation 1982 (Manufactured Home Sites, Communities and Setups) ANSI A225.1/NFPA 501A, or latest edition, or with local codes.

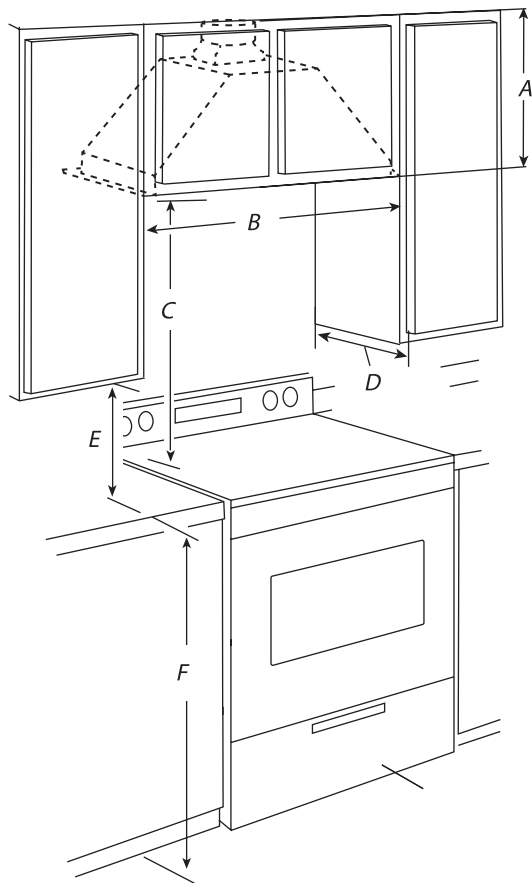
Product Dimensions



EAS428SS / EPR628SS range hood models	
	Dimension
DIM A	28 1/4" (71.8 cm)
DIM B	26" (66 cm)
DIM C	1 1/8" (2.9 cm)
DIM D	10 3/4" (27.3 cm)
DIM E	9 1/2" (24.2 cm)
DIM F	5/16" (.85 cm)
DIM G	14 9/16" (37 cm)
DIM H	6" (14.8 cm)
DIM I	1/2" (1.27 cm)

†®TORX is a registered trademark of Saturn Fasteners, Inc.

Installation Clearances



A. 12" (30.5 cm) min. upper cabinet height
 B. 30" (76.2 cm) cabinet opening width*
 C. 24" (61 cm) min. 36" (91.4 cm) suggested max. bottom of cabinet to cooking surface

D. 12" (30.48 cm) cabinet opening depth*
 E. 15" (38.1 cm) min. clearance upper cabinet to countertop
 F. 36" (91.4 cm) base cabinet height

For gas range installation: Mount this hood so that the bottom edge is at minimum 27" (68,5 cm) above the cooking surface.

For electric range installation: mount this hood so that the bottom is not less than 24" (61 cm).

*NOTE: This range hood is set to 30" (76.2 cm) cabinet width x 12" (30.5 cm) deep cabinets.

VENTING REQUIREMENTS

- Vent system must terminate to the outdoors, except for no vented (recirculating) installations.
- Do not terminate the vent system in an attic or other enclosed area.
- Do not use a 4" (10.2 cm) laundry-type wall cap.
- Use metal vent only. A rigid metal vent is recommended. Plastic or metal foil vent is not recommended.
- The length of the vent system and number of elbows should be kept to a minimum to provide efficient performance.

For the most efficient and quiet operation:

- Use no more than three 90° elbows.
- Make sure there is a minimum of 24" (61.0 cm) of straight vent between the elbows if more than 1 elbow is used.
- Do not install 2 elbows together.
- The vent system must have a damper.
- Use clamps to seal all joints in the vent system.
- Use caulking to seal exterior wall or roof opening around the cap.
- The size of the vent should be uniform.

Cold weather installations

An additional back draft damper should be installed to minimize backward cold air flow and a thermal break should be installed to minimize conduction of outside temperatures as part of the vent system. The damper should be on the cold air side of the thermal break.

The break should be as close as possible to where the vent system enters the heated portion of the house.

Makeup air

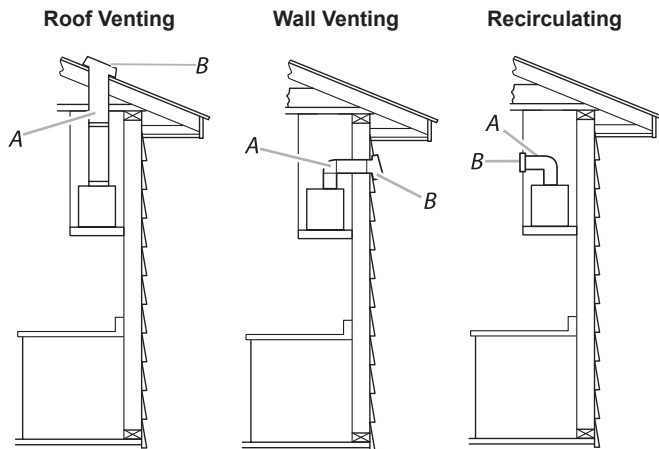
Local building codes may require the use of makeup air systems when using ventilation systems with greater than specified CFM of air movement. The specified CFM varies from locale to locale. Consult your HVAC professional for specific requirements in your area.

Venting Methods

This range hood is factory set for venting through the roof or through the wall. You can apply the recirculating venting method by purchasing the Recirculation Kit.

The vent system needed for installation is not included.

A 6" (15.2 cm) round vent system is recommended.



A. 6" (15.2 cm) vent through the roof
B. Roof cap

A. 6" (15.2 cm) vent through the wall
B. Wall cap

A. 6" (15.2 cm) vent through the cabinet
B. Round recirculating grid

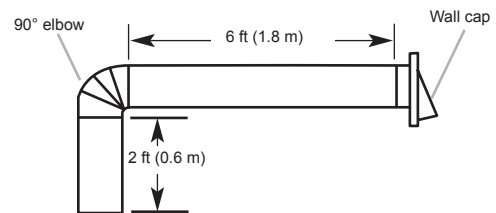
Calculating Vent System Length

The recommended vent system is 6" (15.2 cm) round vent with a maximum length of 35 ft (10.7 m). For the best performance, use no more than three 90° elbows.

To calculate the length of the system, add the equivalent feet (meters) for each of the vent pieces used in the system.

Vent Piece	6" (15.2 cm)
45° elbow	2.5 ft (0.8 m)
90° elbow	5.0 ft (1.5 m)

Example Vent System



Maximum Recommended Length	= 35 ft (10.7 m)
1 - 90° elbow	= 5.0 ft (1.5 m)
1 - wall cap	= 0.0 ft (0.0 m)
9 ft (2.8 m) straight	= 9.0 ft (2.8 m)
Length of 6" (15.2 cm) system	= 14.0 ft (4.3m)

Electrical Requirements

⚠ WARNING

**Plug into a grounded 3 prong outlet.
Do not remove ground prong.
Do not use an adapter.
Do not use an extension cord.
Failure to follow these instructions can result in death, fire, or electrical shock.**

IMPORTANT: The range hood must be electrically grounded in accordance with local codes and ordinances, or in the absence of local codes, with the National Electrical Code, ANSI/NFPA 70 (latest edition) or Canadian Electrical Code, CSA C22.1 No. 0-M91 (latest edition).

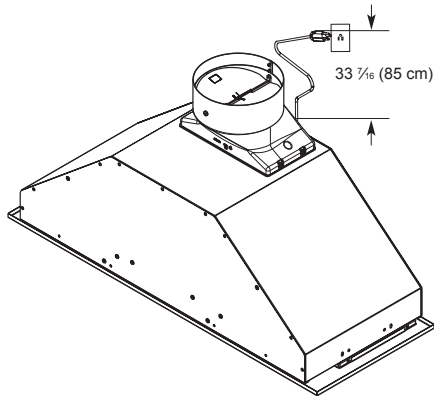
If codes permit and a separate ground wire is used, it is recommended that a qualified electrical installer determine that the ground path is adequate.

A copy of the above code standards can be obtained from:
National Fire Protection Association

1 Batterymarch Park
Quincy, MA 02169-7471
CSA International
8501 East Pleasant Valley Road
Cleveland, Ohio 44131-5575

- A 120 volt, 60 Hz, AC only, 15- or 20-amp, fused electrical circuit is required. A time-delay fuse or circuit breaker is also recommended. It is recommended that a separate circuit serving only this range hood be provided.
- This range hood is equipped with a power supply cord having a 3 prong grounding plug.
- To minimize possible shock hazard, the cord must be plugged into a mating, 3 prong, grounding-type outlet, grounded in accordance with local codes and ordinances. If a mating outlet is not available, it is the personal responsibility and obligation of the customer to have the properly grounded outlet installed by a qualified electrician.

- The grounded 3 prong outlet is to be located inside the cabinet above the range hood at a maximum distance of 33⁷/₁₆" (85.0 cm) from where the power cord exits the hood. The grounded 3 prong outlet must be accessible after installation of the range hood. See illustration.



GROUNDING INSTRUCTIONS

- For a grounded, cord-connected range hood: This range hood must be grounded. In the event of an electrical short circuit, grounding reduces the risk of electric shock by providing an escape wire for the electric current. This range hood is equipped with a cord having a grounding wire with a grounding plug. The plug must be plugged into an outlet that is properly installed and grounded. **WARNING:** Improper grounding can result in a risk of electric shock. Consult a qualified electrician if the grounding instructions are not completely understood, or if doubt exists as to whether the range hood is properly grounded. Do not use an extension cord. If the power supply cord is too short, have a qualified electrician install an outlet near the range hood.

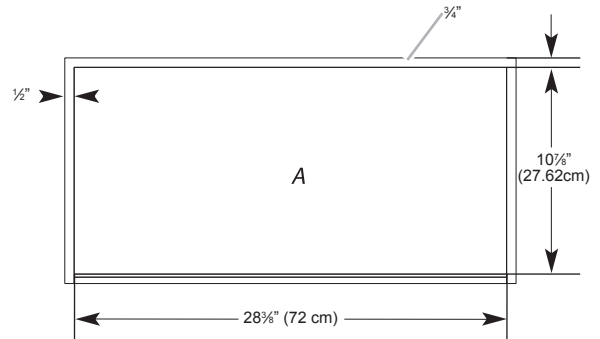
SAVE THESE INSTRUCTIONS

Installation Instructions

Prepare Location

- It is recommended that the vent system be installed before the range hood is installed.
 - Before making cutouts, make sure there is proper clearance within the ceiling or wall for vent fittings.
 - Making the cutout to the bottom of the cabinet may be easier to do prior to mounting the cabinet to the wall.
1. Disconnect power.
 2. Determine which venting method to use: roof, wall, or non vented.
 3. Select a flat surface for assembling the range hood. Place covering over that surface.

Cut out dimensions (without spacers)



A. Bottom of cabinet cutout

2. Complete cabinet preparation following the instructions for your type of venting. Determine venting cutout locations and cut out vent openings in the cabinets, walls and/or soffit.

⚠ WARNING

Excessive Weight Hazard
Use two or more people to move and install range hood.
Failure to do so can result in back or other injury.

4. Using 2 or more people, lift range hood onto covered surface

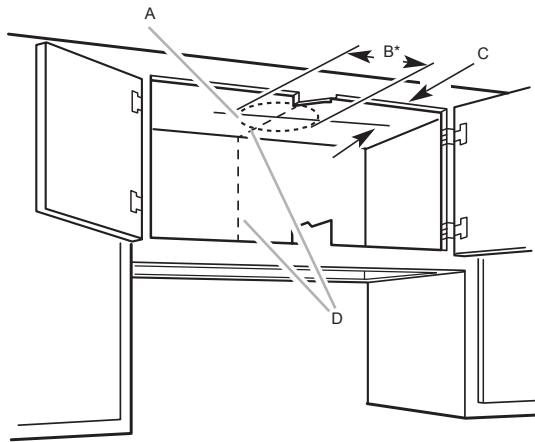
Range Hood Cabinet Cutout

1. Use a saber saw or keyhole saw to cut out the cabinet bottom inside the cabinet frame.

NOTE: Frameless type cabinets require 3/4" (1.9 cm) front lip in the cabinet bottom. A 3/4" (1.9 cm) thick filler strip (not supplied) may be required for some types of cabinets. (See Step 3 in the "Install Range Hood" section).

Venting Outside Through the Roof

1. Measure and mark the lines as shown. Use a saber saw or keyhole saw to cut an opening through the top of the cabinet and the roof for the vent.

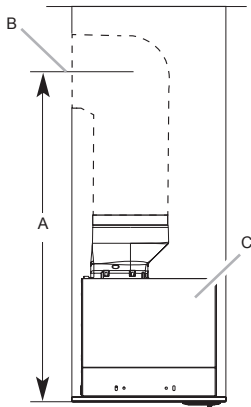


A. Cutout
B. 6¼" (15.9 cm)*
C. 7¾" (19.7 cm) centerline to cabinet front
D. Centerline

*NOTE: For 12" (30.5 cm) high cabinets a 6¼" deep x 8" wide (14.6 cm x 20.3 cm) rectangular opening in the cabinet top is required for damper transition clearance.

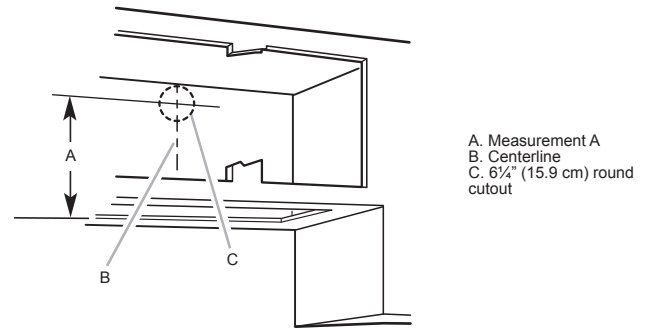
Venting Outside Through the Wall

1. Install the 6" (15.2 cm) vent transition to the top of the range hood liner using two 3.5 x 9.5 mm screws. Assemble the vent duct that you will use over the 6" (15.2 cm) vent transition.
2. Measure from the bottom of the range hood liner to the horizontal centerline of the vent opening (A)



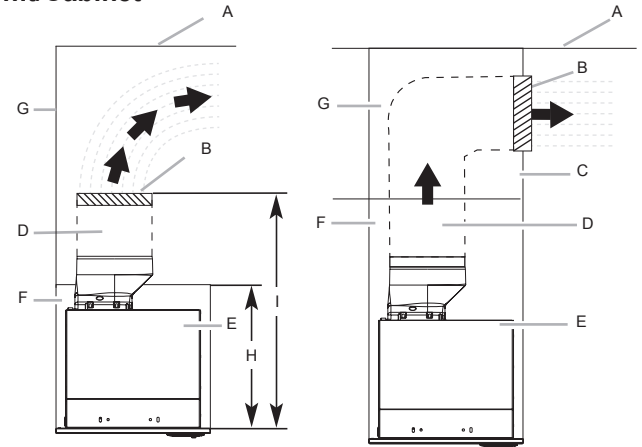
A. Measurement A
B. Horizontal centerline of vent opening
C. Range hood liner

3. Remove the vent duct from the range hood liner. Transfer measurement A to the cabinet back wall. Measure from the underside of the cabinet.
4. Mark the cutout as shown. Use a saber saw or keyhole saw to cut a round opening through the back of the cabinet and the exterior wall for the vent. Go to Step 3.



A. Measurement A
B. Centerline
C. 6¼" (15.9 cm) round cutout

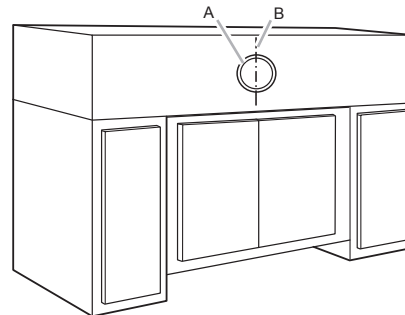
Non-Vented (recirculating) Installation Through the Soffit/Cabinet



A. Ceiling
B. Vent cover
C. Soffit
D. 6" (15.2 cm) vent
E. Range hood

F. Cabinet
G. Wall
H. 12" (30.5 cm) min. cabinet height
I. 17" (43.2 cm) min. vent cover height

1. Measure and mark the centerline of the cabinet to the soffit above.
2. Measure from the bottom of the cabinet to the centerline of where the vent will come through the soffit. Mark the location and use a saber saw or keyhole saw to cut a 5¼" (14.6 cm) hole for the vent cover.

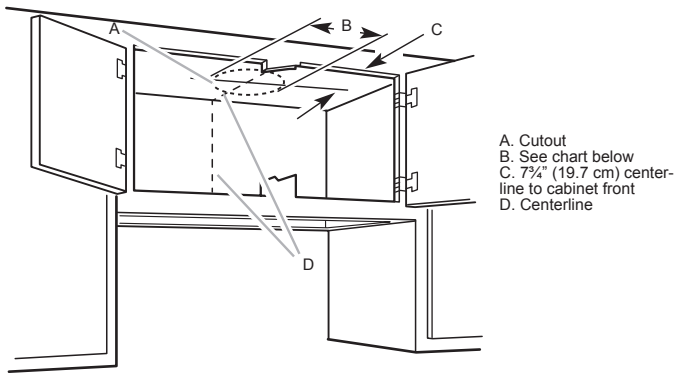


A. Vent cover
B. Centerline

*NOTE: For 12" (30.5 cm) high cabinets a 6¼" deep x 8" wide (14.6 cm x 20.3 cm) rectangular opening in the cabinet top is required for damper transition clearance.

Measure and mark the centerline location for the cutout in the cabinet top. Use a saber saw or keyhole saw to cut an opening for the vent.

Install Range Hood

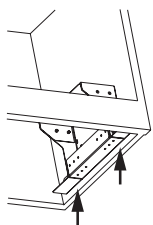
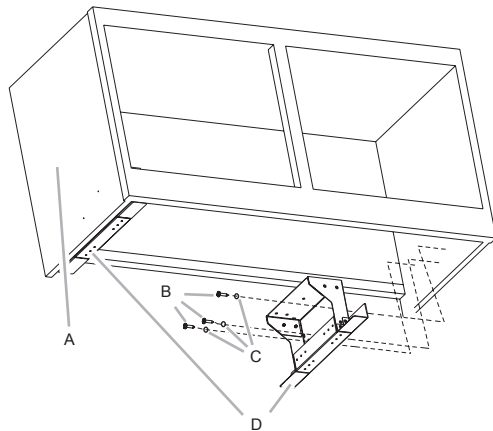


Cabinet Height	Hole Shape and Size
12" (30.5 cm)	A 6 $\frac{1}{4}$ " deep x 8" wide (15.9 cm x 20.3 cm) rectangular opening in the cabinet top is required for damper transition clearance.

Complete Preparation

1. If not yet attached, install the 6" (15.2 cm) vent transition the top of the range hood liner using two 3.5 x 9.5 mm screws.
2. Locate side mounting bracket flush 1 cm to the bottom of the cabinet side and against the inside of the front cabinet face. Orient the bracket depending on the width of your cabinet as depicted in the diagrams below. Drill $\frac{1}{8}$ " (3 mm) pilot holes in 6 places, attach a bracket using three 4.5 x 13 mm screws to each side of the cabinet, and tighten. Additional washers in hardware package are supplied as spacers for cabinet walls thinner than $\frac{1}{2}$ " (13 mm).

Bracket Orientation for 30" (76.2 cm) Cabinet



3. Install the vent system according to the method needed. Use caulking to seal the exterior wall or roof opening.

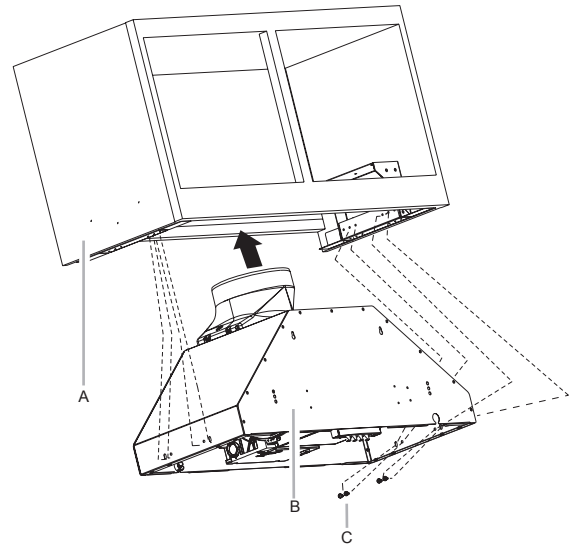
⚠ WARNING

Excessive Weight Hazard

Use two or more people to move and install range hood.

Failure to do so can result in back or other injury.

1. Using 2 or more people, lift the hood liner into its mounted location. Attach with four 4.2 x 19 mm screws into the slotted openings. Do not tighten screws.

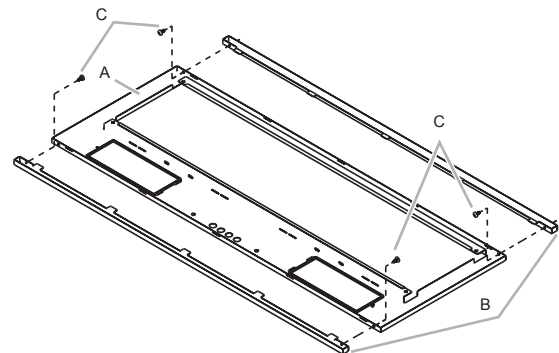


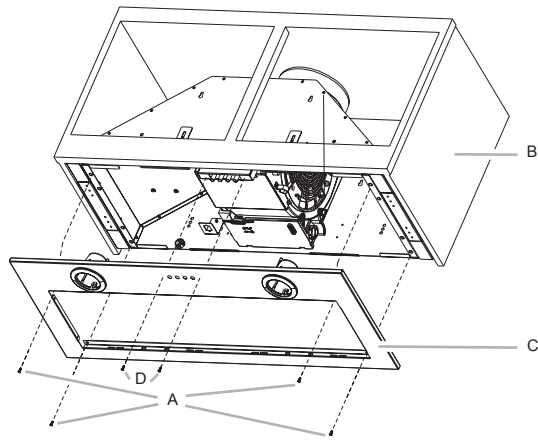
2. Center the canopy in the cabinet. Align the bottom of the canopy with the bottom of the cabinet. Install four 4.2 x 19 mm screws into the round mounting plate openings and tighten all (8) mounting screws.
3. Remove the metal grease filters from the face panel. See the "Range Hood Care" section.

Attach the face plate to the hood insert.

NOTE: If cabinet depth is greater than 12", it is recommended that the two 1/2" metal spacers are installed.

Install to front and rear sides of the face plate with 3.5 x 9.5 mm screws as shown in drawing.





- A. Screws - 3.5 x 9.5 mm flat-head (4)
- B. Face plate (30" x 12" [76.2 cm x 30.5 cm] shown)
- C. Cabinet (30" x 12" [76.2 cm x 30.5 cm] shown)
- D. Screws - 4.2 x 15 mm truss-head (2)

For cabinet size - 30" x 12" (76.2 cm x 30.5 cm)

Attach the 28 1/4" x 10 3/4" (71.8 cm x 27.3 cm) face panel (supplied with range hood) to the hood liner using four 3.5 x 9.5 mm flat-head screws and two 4.2 x 15 mm truss head screws. Tighten to secure.

Connect the lamp electrical connector.

Connect the Vent System

Vented Installations

1. Connect the vent system to the range hood vent opening.
Seal the connection with clamps.

Non-Vented (recirculating) Installations

1. Connect the vent system to the range hood vent opening.
Seal the connection with clamps.
2. Install charcoal filters. See the "Available accessories" section.

Complete Installation

1. Replace grease filters. See the "Range Hood Care" section.

⚠ WARNING

Electrical Shock Hazard
Plug into a grounded 3 prong outlet.
Do not remove ground prong.
Do not use an adapter.
Do not use an extension cord.
Failure to follow these instructions can result in death, fire, or electrical shock.

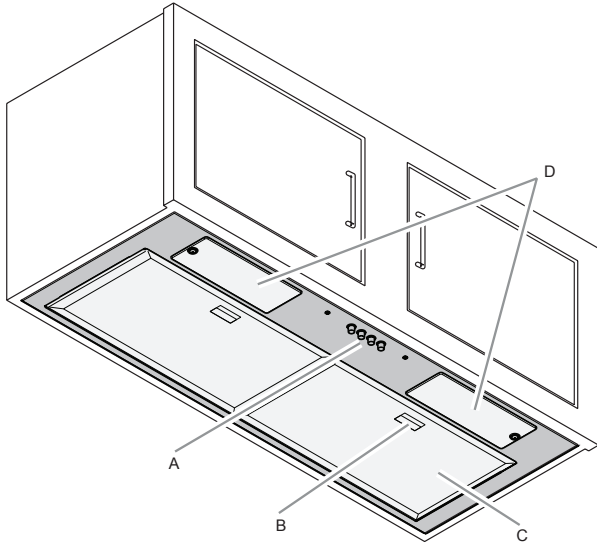
2. Plug 3-prong power cord into a grounded 3-prong outlet located inside the cabinet above the range hood.
3. Check the operation of the range hood fan and light. See "Range Hood Use" section.
If range hood does not operate, check to see whether a circuit breaker has tripped or a household fuse has blown. Disconnect power and check wiring connections.

NOTE: To get the most efficient use from your new range hood, read the "Range Hood Use" section.

Range Hood Use

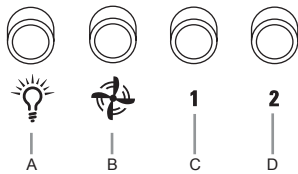
The range hood is designed to remove smoke, cooking vapors and odors from the cooktop area. For best results, start the hood before cooking and allow it to operate several minutes after the cooking is complete to clear all smoke and odors from the kitchen.

The hood controls are located on the center of the front of the range hood liner.



- A. Blower and light controls
- B. Grease filter
- C. Grease filter handle
- D. Halogen or Incandescent lamps (depending of hood model)

Range Hood Controls



- A. On/Off light button
- B. Blower off and speed minimum button
- C. Blower speed medium button
- D. Blower speed maximum button

Operating the Light

The On/Off light button controls all lights. Press once for On and again for Off.

Operating the Blower

The BLOWER SPEED buttons turn the blower on and control the blower speed and sound level for quiet operation. The speed can be changed anytime during fan operation by pressing the desired blower speed button.

Press the BLOWER OFF button a second time to turn off the blower.

Range Hood Care

Range Hood Controls

IMPORTANT: Clean the hood and grease filters frequently according to the following instructions. Replace grease filters before operating hood.

Exterior Surfaces:

To avoid damage to the exterior surface, do not use steel wool or soap-filled scouring pads.

Always wipe dry to avoid water marks.

Cleaning Method:

- Liquid detergent soap and water, or all-purpose cleanser
- Wipe with damp soft cloth or nonabrasive sponge, then rinse with clean water and wipe dry.

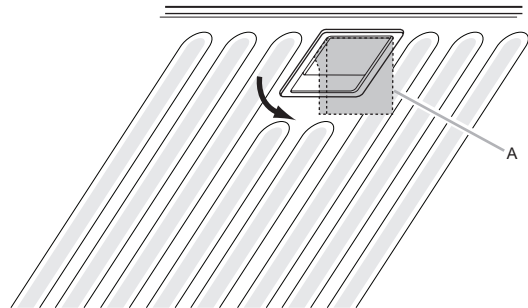
Metal Grease Filter

The filters should be washed frequently. Place metal filters in dishwasher or hot detergent solution to clean.

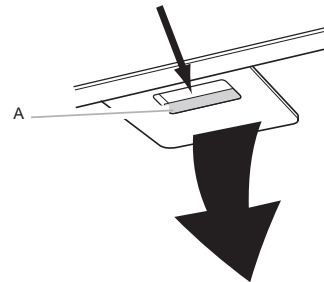
Let filter dry thoroughly before replacing it.

Turn off fan and lights. Allow lamps to cool.

1. Remove each filter by pulling the spring release handle and then pulling down the filter.



A. EPR628SS model spring release handle



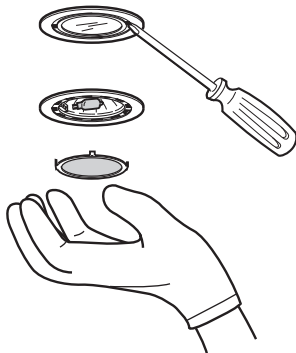
A. EAS428SS model Spring release handle

2. Wash metal filters as needed in dishwasher or hot detergent solution.
3. Reinstall the filter by making sure the spring release handles are toward the front. Insert metal grease filter into upper track.
4. Pull the spring release handle down.
5. Push up on metal filter and release handle to latch into place.
6. Repeat steps 1-5 for the other filter.

Replacing the halogen lamp (EPR628SS models)

CAUTION: Before replacing the lamps, disconnect power off to prevent from being switched on accidentally. Turn off the range hood and allow the halogen / incandescent lamp to cool. To avoid damage or decreasing the life of the new bulb, do not touch bulb with bare fingers. Replace bulb, using tissue or wearing cotton gloves to handle bulb. If new lamps do not operate, make sure the lamps are inserted correctly before calling service.

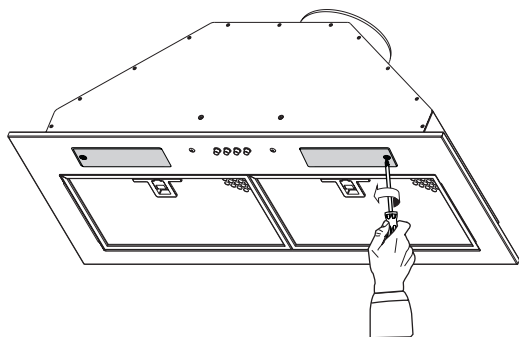
1. Disconnect power.
2. Use a flat-blade screwdriver and gently pry the light cover loose.
3. Remove the lamp and replace with a 120-volt, 40-watt maximum, halogen lamp made for a G-9 base.



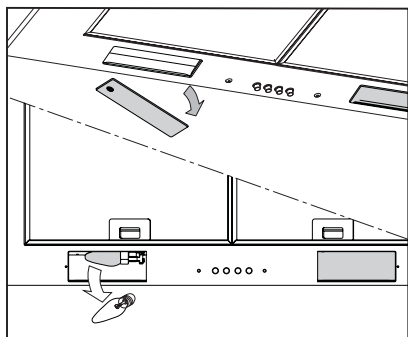
4. Replace the light cover.
5. Reconnect power.

Replacing the incandescent lamps (EAS428SS models)

1. Disconnect power.
2. Use a Phillips # 2 screw driver to remove the lamp cover. Remove it carefully from its housing.



3. Remove the damaged lamp bulb (turn counter clockwise) and replace it with a new bulb. E12 Philips Lamp 120V, 40W.

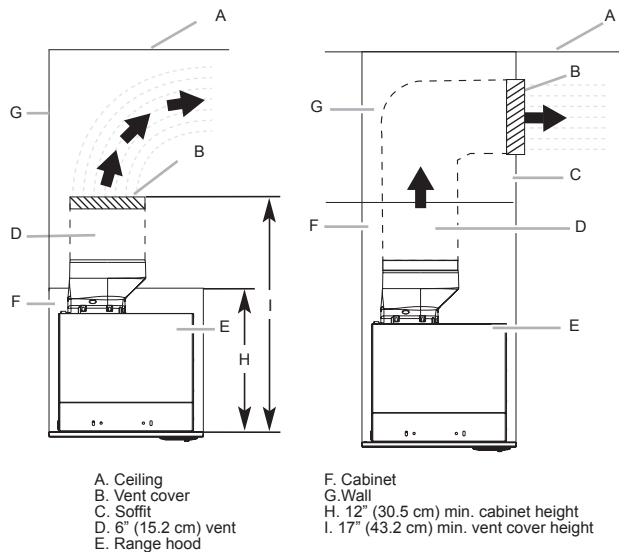


Reconnect power.

Available Accessories

Recirculating Kit

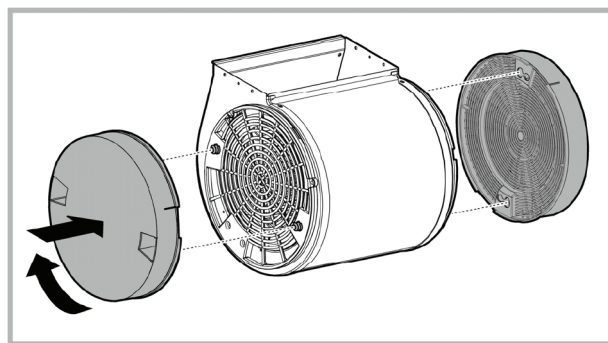
If it is not possible to vent cooking fumes and vapors to the outside, the range hood can be used in the non-vented (recirculating) version, using a charcoal filter. Recirculation Kit model number EXXRCK10 is available from the dealer or an authorized parts distributor.



NOTE: 12" (30.5 cm) high cabinets without a soffit may allow the 6" vent and vent cover to be seen.

1. Cover the grill that protects the suction motor with the carbon filter so that the slots on the filter correspond to the pins on the sides of the motor protection grill.
2. Turn the carbon filter clockwise to block them (bayonet fixing).

NOTE: The charcoal filters cannot be cleaned. It should be replaced every 4-6 months (depending on hood usage).



Extension Liner Kit

- 30" wide x 17" or 20" deep liner is available for both EAS428SS and EPR628SS which provides complete protection of the cabinets (model number EXXHDL30).
 - 36" wide x 17" or 20" deep liner is available for both EAS428SS and EPR628SS which provides complete protection of the cabinets (model number EXXHDL36).
- See Liner installation instructions for more detail.

WARRANTY

ELICA North America

TWO-YEAR LIMITED WARRANTY

TO OBTAIN SERVICE UNDER WARRANTY

Owner must present proof of original purchase date. Please keep a copy of your dated proof of purchase (sales slip) in order to obtain service under warranty.

PARTS AND SERVICE WARRANTY

For the period of two (2) year from the date of the original purchase, Elica will provide free of charge, non consumable parts or components that failed due to manufacturing defects. During these two (2) year limited warranty, Elica will also provide free of charge, all labor and in-home service to replace any defective parts.

WHAT IS NOT COVERED

- Damage or failure to the product caused by accident or act of God, such as, flood, fire or earthquake.
- Damage or failure caused by modification of the product or use of non-genuine parts.
- Damage or failure to the product caused during delivery, handling or installation.
- Damage or failure to the product caused by operator abuse.
- Damage or failure to the product caused by dwelling fuse replacement or resetting of circuit breakers.
- Damage or failure caused by use of product in a commercial application.
- Service trips to dwelling to provide use or installation guidance.
- Light bulbs, metal or carbon filters and any other consumable part.
- Normal wear of finish.
- Wear to finish due to operator abuse, improper maintenance, use of corrosive or abrasive cleaning products/pads and oven cleaner products.

WHO IS COVERED

This warranty is extended to the original purchaser for products purchased for ordinary residential use in North America (Including the United States, Guam, Puerto Rico, US Virgin Islands & Canada).

This warranty is non-transferable and applies only to the original purchaser and does not extend to subsequent owners of the product. This warranty is made expressly in lieu of all other warranties, expressed or implied, including, but not limited to any implied warranty of merchantability or fitness for a particular purpose and all other obligations on the part of Elica North America, provided, however, that if the disclaimer of implied warranties is ineffective under applicable law, the duration of any implied warranty arising by operation of law shall be limited to two (2) year from the date of original purchase at retail or such longer period as may be required by applicable law.

This warranty does not cover any special, incidental and/or consequential damages, nor loss of profits, suffered by the original purchaser, its customers and/or the users of the Products.

WHO TO CONTACT

To obtain Service under Warranty or for any Service Related Question

Please Call:

- Elica North America Authorized Service at (888) 732-8018

Or by Writing To:

- Elica North America, Attention Customer Service,
6658 156th Avenue SE,
Bellevue, WA 98006 USA
infoamericas@elica.com