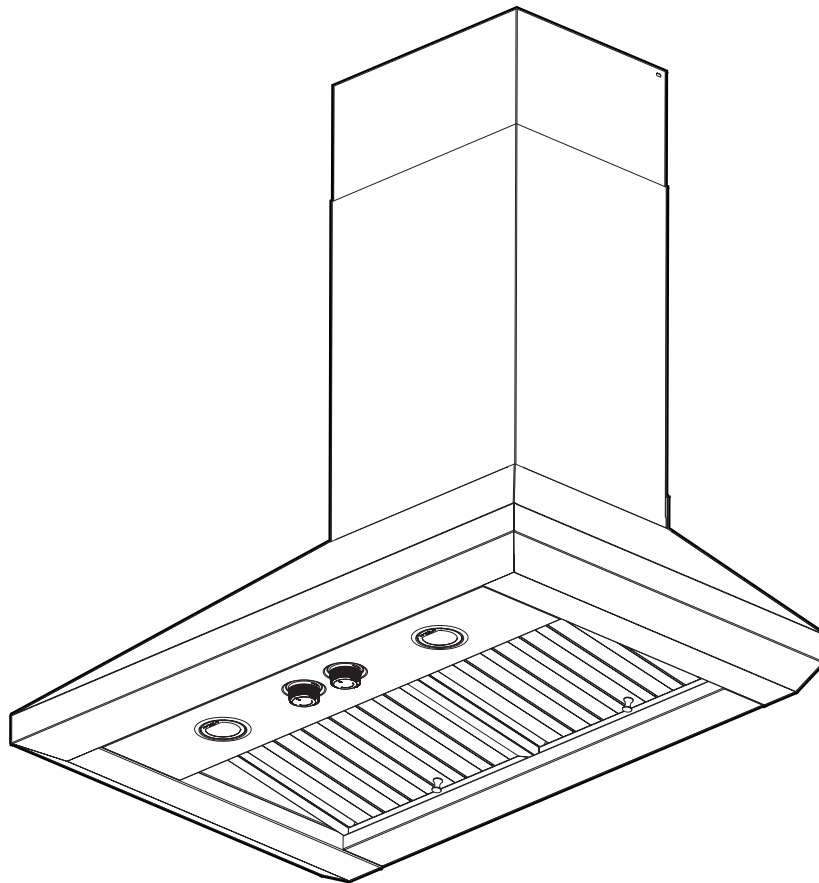


**Use, Care, and Installation Guide**  
**Guide d'utilisation, d'entretien et d'installation**  
**Guía de instalación, uso y mantenimiento**



**READ AND SAVE THESE INSTRUCTIONS**  
**LISEZ CES INSTRUCTIONS ET CONSERVEZ-LES**  
**LEA Y GUARDE ESTAS INSTRUCCIONES**

<b>EN</b>	<b>Contents</b>	<b>page</b>	<b>2</b>
<b>FR</b>	<b>Sommaire</b>	<b>page</b>	<b>12</b>
<b>ES</b>	<b>Contenido</b>	<b>página</b>	<b>22</b>

**English**

**Contents**

Important safety Notice.....	3
Electrical & Installation requirements .....	4
Before installing the hood .....	4
List of Materials.....	5
Parts supplied .....	5
Parts not supplied .....	5
Product Dimensions.....	5
Location Requirements.....	6
Venting Requirements.....	6
Venting methods.....	6
Installation .....	7
Make electrical connection.....	9
Complete Installation and check operation.....	9
Range hood use.....	10
Range hood care.....	10
Warranty .....	11

**APPROVED FOR RESIDENTIAL APPLIANCES  
FOR RESIDENTIAL USE ONLY  
READ AND SAVE THESE INSTRUCTIONS**

**PLEASE READ ENTIRE INSTRUCTIONS BEFORE  
PROCEEDING.**

**INSTALLATION MUST COMPLY WITH ALL LOCAL CODES.**

**IMPORTANT:** Save these Instructions for the Local  
Electrical Inspector's use.

**INSTALLER:** Please leave these Instructions with this unit  
for the owner.

**OWNER:** Please retain these instructions for future  
reference.

**Safety Warning:** Turn off power circuit at service panel and  
lock out panel, before wiring this appliance.

**Requirement:** 120 V AC, 60 Hz. 15 or 20 A Branch Circuit

# READ AND SAVE THESE INSTRUCTIONS

## Important Safety Notice

### CAUTION

FOR GENERAL VENTILATING USE ONLY. DO NOT USE TO EXHAUST HAZARDOUS OR EXPLOSIVE MATERIALS OR VAPOURS.

### WARNING

TO REDUCE THE RISK OF FIRE, ELECTRIC SHOCK, OR INJURY TO PERSONS, OBSERVE THE FOLLOWING:

- A. Use this unit only in the manner intended by the manufacturer. If you have questions, contact the manufacturer.
- B. Before servicing or cleaning the unit, switch power off at service panel and lock service panel disconnecting means to prevent power from being switched on accidentally. When the service disconnecting means cannot be locked, securely fasten a prominent warning device, such as a tag, to the service panel.
- C. Installation work and electrical wiring must be done by qualified person(s) in accordance with all applicable codes & standards, including fire-rated construction.
- D. Sufficient air is needed for proper combustion and exhausting of gases through the flue (Chimney) of fuel burning equipment to prevent back-drafting. Follow the heating equipment manufacturers guideline and safety standards such as those published by the National Fire Protection Association (NFPA), the American Society for Heating, Refrigeration and Air Conditioning Engineers (ASHRAE), and the local code authorities.
- E. When cutting or drilling into wall or ceiling, do not damage electrical wiring and other hidden utilities.
- F. Ducted systems must always be vented to the outdoors.

### CAUTION

To reduce risk of fire and to properly exhaust air, be sure to duct air outside - do not vent exhaust air into spaces within walls, ceilings, attics, crawl spaces, or garages.

### WARNING

TO REDUCE THE RISK OF FIRE, USE ONLY METAL DUCT WORK.

Install this hood in accordance with all requirements specified.

### WARNING

To reduce the risk of fire or electric shock, do not use this hood with any external solid state speed control device.

### WARNING

TO REDUCE THE RISK OF A RANGE TOP GREASE FIRE.

- a) Never leave surface units unattended at high settings. Boilovers cause smoking and greasy spillovers that may ignite. Heat oils slowly on low or medium settings.
- b) Always turn hood ON when cooking at high heat or when flambeing food (i.e. Crepes suzette, cherries jubilee, peppercorn beef flambe').
- c) Clean ventilating fans frequently. Grease should not be allowed to accumulate on fan or filter.
- d) Use proper pan size. Always use cookware appropriate for the size of the surface element.

### WARNING

TO REDUCE THE RISK OF INJURY TO PERSONS, IN THE EVENT OF A RANGE TOP GREASE FIRE, OBSERVE THE FOLLOWING:<sup>a</sup>

- a) SMOTHER FLAMES with a close-fitting lid, cookie sheet, or other metal tray, then turn off the gas burner or the electric element. BE CAREFUL TO PREVENT BURNS. If the flames do not go out immediately, EVACUATE AND CALL THE FIRE DEPARTMENT.
- b) NEVER PICK UP A FLAMING PAN - you may be burned.
- c) DO NOT USE WATER, including wet dishcloths or towels - a violent steam explosion will result.
- d) Use an extinguisher **ONLY** if:
  - 1) You know you have a class ABC extinguisher, and you already know how to operate it.
  - 2) The fire is small and contained in the area where it started.
  - 3) The fire department is being called.
  - 4) You can fight the fire with your back to an exit.

<sup>a</sup>Based on "Kitchen Fire Safety Tips" published by NFPA.

### OPERATION

a. Always leave safety grills and filters in place. Without these components, operating blowers could catch onto hair, fingers and loose clothing.

The manufacturer declines all responsibility in the event of failure to observe the instructions given here for installation, maintenance and suitable use of the product. The manufacturer further declines all responsibility for injury due to negligence and the warranty of the unit automatically expires due to improper maintenance.

# Electrical & Installation requirements

## Electrical requirements

### IMPORTANT

Observe all governing codes and ordinances.

It is the customer's responsibility:

- To contact a qualified electrical installer.
- To assure that the electrical installation is adequate and in conformance with National Electrical Code, ANSI/NFPA 70 — latest edition\*, or CSA Standards C22.1-94, Canadian Electrical Code, Part 1 and C22.2 No.0-M91 - latest edition\*\* and all local codes and ordinances.
- If codes permit and a separate ground wire is used, it is recommended that a qualified electrician determine that the ground path is adequate.
- Do not ground to a gas pipe.
- Check with a qualified electrician if you are not sure range hood is properly grounded.
- Do not have a fuse in the neutral or ground circuit.

### IMPORTANT

Save Installation Instructions for electrical inspector's use.

- The range hood must be connected with copper wire only.
- The range hood should be connected directly to the fused disconnect (Or circuit breaker) box through metal electrical conduit.
- Wire sizes must conform to the requirements of the National Electrical Code ANSI/NFPA 70 — latest edition\*, or CSA Standards C22.1-94, Canadian Electrical Code Part 1 and C22.2 No. 0-M91 - latest edition\*\* and all local codes and ordinances.
- A U.L.- or C.S.A.-listed conduit connector must be provided at each end of the power supply conduit (at the range hood and at the junction box).

Copies of the standards listed may be obtained from:

\* National Fire Protection Association Batterymarch Park Quincy, Massachusetts 02269

\*\* CSA International 8501 East Pleasant Valley Road Cleveland, Ohio 44131-5575

## Before installing the hood

1. For the most efficient air flow exhaust, use a straight run or as few elbows as possible.

**CAUTION:** Vent unit to outside of building, only.

2. At least two people are necessary for installation.
3. Fittings material is provided to secure the hood to most types of walls/ceilings, consult a Qualified Installer, check if they perfectly fit with your cabinet/wall.
4. Do not use flex ducting.
5. COLD WEATHER installations should have an additional back draft damper installed to minimize backward cold air flow and a nonmetallic thermal break to minimize conduction of outside temperatures as part of the ductwork. The damper should be on the cold air side of the thermal break. The break should be as close as possible to where the ducting enters the heated portion of the house.

Make-Up air: Local building codes may require the use of make-up air systems when using ducted ventilation systems greater than specified CFM of air movement. The specified CFM varies from locale to locale. Consult your HVAC professional for specific requirements in your area.

### NOTE:

Use the Range Hood model ELN130SS (Single Blower Motor = 600CFM) only above a cooktop with a maximum of 65,000 Btus.

Use the Range Hoods models ELN136SS and ELN142SS (Dual Blower Motor = 1200CFM) above cooktops rated higher than 65,000 Btus.

# List of Materials

## Removing the packaging

### CAUTION!

Remove carton carefully, wear gloves to protect against sharp edges.

### WARNING!

Remove the protective film covering the product before putting into operation.

## Parts supplied

- Hood assembly with blower and light bulbs
- 8" Metallic Air Transition
- Duct covers
- Metal grease filters
- Hardware bag with:
  - Use, care and installation guide
  - Duct cover bracket
  - T20 TORX®† adapter
  - 6 - 5 x 45 mm mounting screws
  - 4 - 3.5 x 9.5 mm mounting screws
  - 4 - 4.2 x 8 mm mounting screws
  - 2 - 8 x 40 mm wall anchors
  - 4 - 10 x 50 mm wall anchors

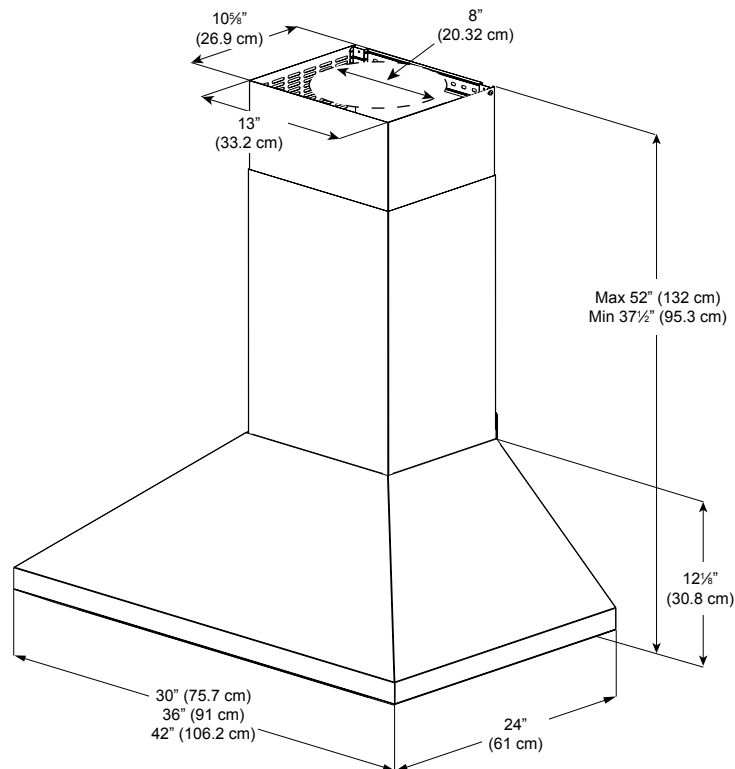
## Parts needed

- Home power supply cable
- ½" (12.7 mm) UL listed or CSA approved strain relief
- 3 UL listed wire connectors
- 1 wall or roof cap
- 8" round metal vent system

## Tools/Materials required

- Level
- Drill with 1¼" (3.2 cm), ⅛" (3.2 mm), and ⅝" (7.9 mm) drill bits
- Pencil
- Wire stripper or utility knife
- Tape measure or ruler
- Pliers
- Caulking gun and weatherproof caulking compound
- Vent clamps
- Jigsaw or keyhole saw
- Flat-blade screwdriver
- Metal snips

# Product Dimensions



# Location Requirements

**IMPORTANT:** Observe all governing codes and ordinances. Have a qualified technician install the range hood. It is the installer's responsibility to comply with installation clearances specified on the model/serial rating plate. The model/serial rating plate is located behind the left filter on the rear wall of the vent hood.

Canopy hood location should be away from strong draft areas, such as windows, doors and strong heating vents.

Cabinet opening dimensions that are shown must be used. Given dimensions provide minimum clearance.

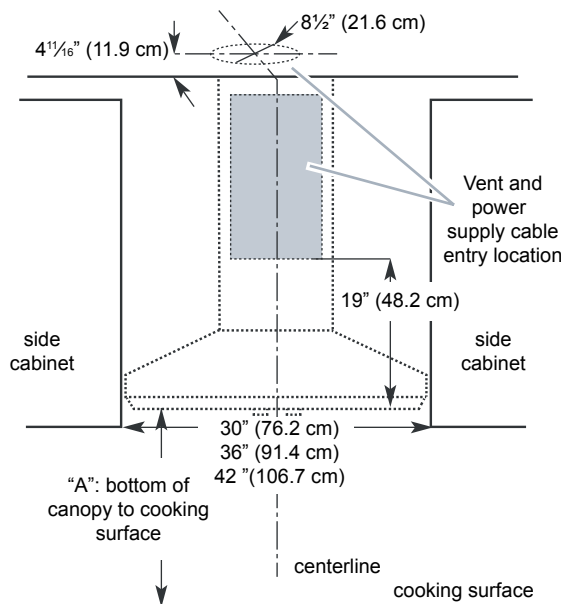
Grounded electrical outlet is required. See "Electrical Requirements" section.

The canopy hood is factory set for venting through the roof or wall. This range hood is not available for a Non-Vented (recirculating) Installation. All openings in ceiling and wall where canopy hood will be installed must be sealed.

## For Mobile Home Installations

The installation of this range hood must conform to the Manufactured Home Construction Safety Standards, Title 24 CFR, Part 328 (formerly the Federal Standard for Mobile Home Construction and Safety, Title 24, HUD, Part 280) or when such standard is not applicable, the standard for Manufactured Home Installation 1982 (Manufactured Home Sites, Communities and Setups) ANSI A225.1/NFPA 501A, or latest edition, or with local codes.

## Cabinet Dimensions



### IMPORTANT:

Minimum distance "A": 30" (76.2 cm) from cooking surface. Suggested maximum distance "A": 36" (91.4 cm) from cooking surface.

The chimneys can be adjusted for different ceiling heights.

# Venting Requirements

## (Ducted models only)

- Vent system must terminate to the outdoors.
- Do not terminate the vent system in an attic or other enclosed area.
- Use metal vent only. Rigid metal vent is recommended. Plastic or metal foil vent is not recommended.
- The length of vent system and number of elbows should be kept to a minimum to provide efficient performance.

## For the most efficient and quiet operation:

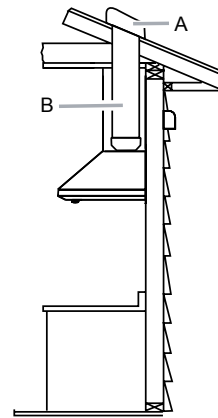
- Use no more than three 90° elbows.
- Make sure there is a minimum of 24" (61 cm) of straight vent between the elbows if more than 1 elbow is used.
- Do not install 2 elbows together.
- Use clamps to seal all joints in the vent system.
- The vent system must have a damper. If the roof or wall cap has a damper, do not use the damper supplied with the range hood.
- Use caulking to seal exterior wall or roof opening around the cap.
- The size of the vent should be uniform.

## Venting Methods

This canopy hood is factory set for venting through the roof or wall. A 8" (20.32 cm) round vent system is needed for installation (not included).

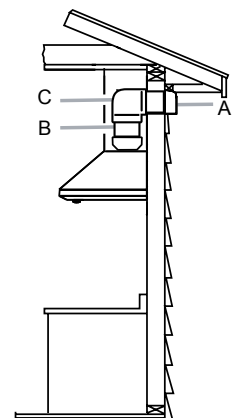
**NOTE:** Flexible vent is not recommended. Flexible vent creates back pressure and air turbulence that greatly reduce performance. Vent system can terminate either through the roof or wall.

### Roof Venting



- A. Roof cap
- B. 8" (20.32 cm) round vent

### Wall Venting



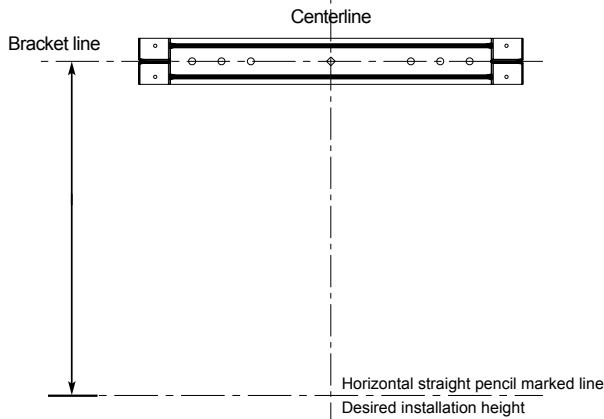
- A. Wall cap
- B. 8" (20.32 cm) round vent
- C. 90° elbow

# Installation

## Mounting the duct cover bracket

### Fixed height duct cover

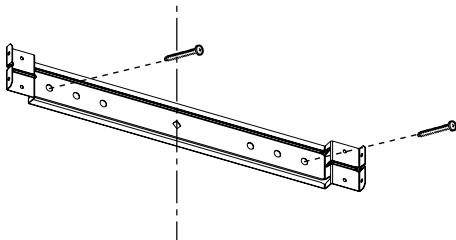
- From the horizontal line traced in the previous section, trace a horizontal parallel line as shown below.
- Center the bracket in the top horizontal line and align it with the centerline, as described in the following drawing.



Mark screw holes locations in the wall.

**IMPORTANT.** Check to be sure that holes locations are leveled, and correctly centered by the vertical centerline. Drill  $\frac{5}{16}$ " pilot holes in the marked locations. Install wall fastener anchors.

Drive wood 2 - 5 x 45 mm screws, by hand, into the fasteners to allow anchors to expand. Remove screws.

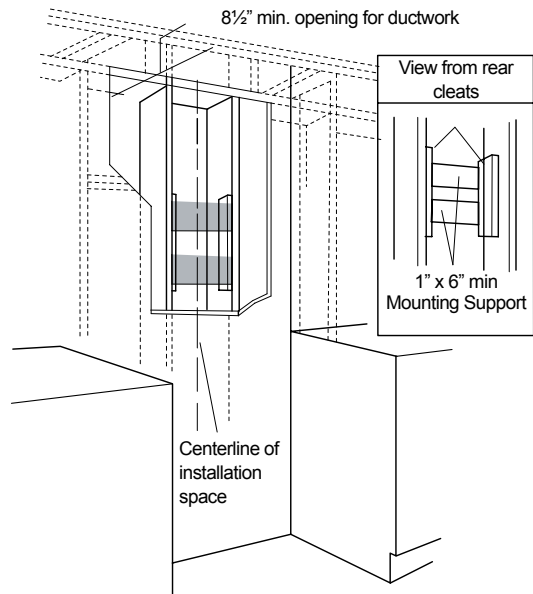


Secure the bracket to the wall with wood screws and/or fasteners.

### Install framing for hood support

- If drywall is present, mark the screw hole locations.
- Cut away enough drywall to expose 2 vertical studs at the holes location indicated by the template. Install two horizontal supports at least 4 x 2" between two wall studs at the bottom and upper mounting holes installation location.
- The horizontal support must be flush with the room side of the studs.
- Use cleats behind both sides of the support to secure to wall studs.
- Reinstall drywall and refinish

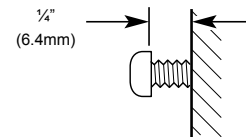
**IMPORTANT-** Framing must be capable of supporting 100 lbs.



### Mounting the hood

**WARNING:** 2 people are required to lift and position the hood onto the mounting screws.

- Place the template on the wall along the horizontal line, make sure the template is leveled and centered with the centerline.
- Mark upper screw holes locations in the wall.
- **IMPORTANT.** Check to be sure that hole locations are leveled and correctly centered by the vertical centerline.
- Drive 2 - 5 x 45 mm upper wood screws by hand. Leave  $\frac{1}{4}$ " of distance between the screw head and the wall.

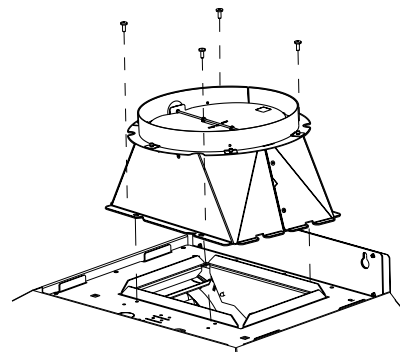


- Remove the grease filter and mount the hood onto the upper screws.

**NOTE:** The screws provided for mounting this hood must be fastened into solid wood, do not fasten into sheet rock only.

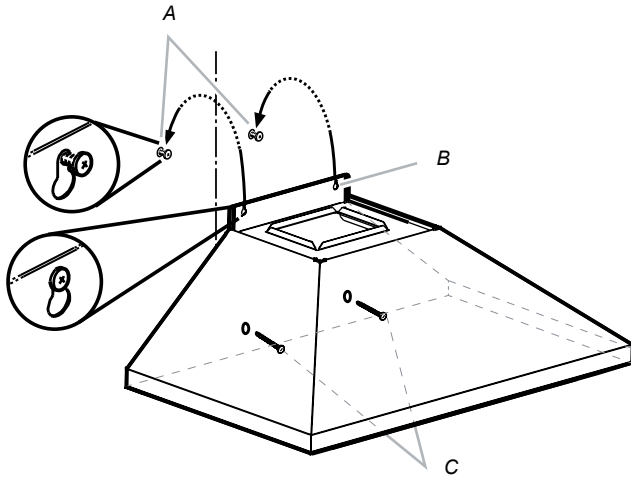
### Complete preparation

1. Determine and make all necessary cuts in the wall for the vent system. Install the vent system before installing the range hood. See the "Venting Requirements" section.
2. Determine the location where the power supply cable will be run through the wall.
3. Drill a  $1\frac{1}{4}$ " (3.2 cm) hole at this location.
4. Pull enough power supply cable through the wall to allow for easy connection to the terminal box.
5. Install the 8" (20.3 cm) round vent transition with damper to top of the range hood using 4 - 3.5 x 9.5 mm screws.



## Install Range Hood

1. Using 2 or more people, hang the range hood on the wall by placing the slotted holes in the range hood back over the 2 screws mounted to the wood support mounted to the wall.

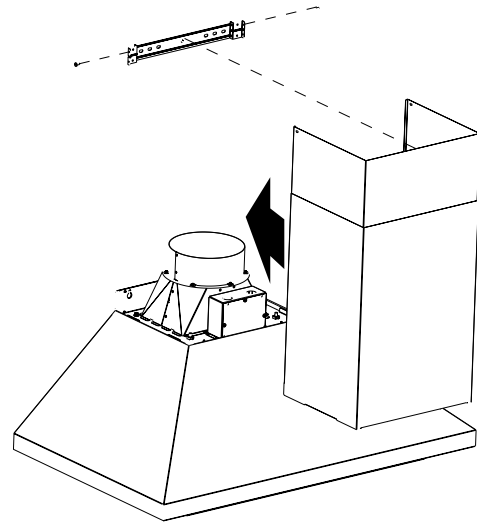


- A. Installation screws (2 - 5 x 45 mm)  
B. Mounting holes  
C. Lower installation screws (2 - 5 x 45 mm)

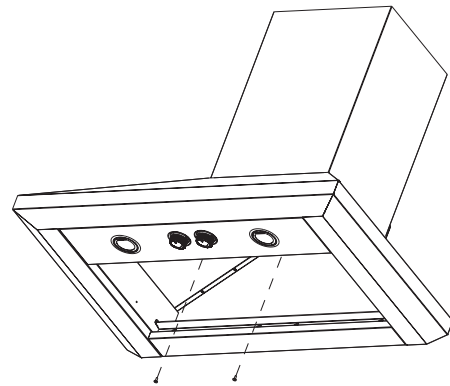
2. Push the range hood up into the narrow slots, align the bottom of the hood to the horizontal line, level the hood, and tighten the 2 mounting screws.
3. Mark 2 lower mounting hole locations. Drill  $\frac{1}{8}$ " pilot holes if the holes are located into wood. If holes are not located into wood, remove the hood and drill two  $\frac{3}{8}$ " pilot holes and insert 10 x 50 mm wall anchors. Remount the hood, level, and tighten the upper screws. Install 2 - 5 x 45 mm screws and tighten (C)..
4. Connect vent system to hood. Seal all joints with clamps.
5. If your installation uses the optional duct cover, mount it to the top of the range hood following the instructions supplied with the duct cover.

## Mounting the duct cover

1. Position the duct cover over the mounted hood.
2. Position the top of the duct over the duct mounting bracket.
3. Secure the top of the duct with 2 - 4.2 x 8 mm assembly screws provided.



4. Secure the lower duct cover to the range hood canopy using 2 - 4.2 x 8 mm screws.

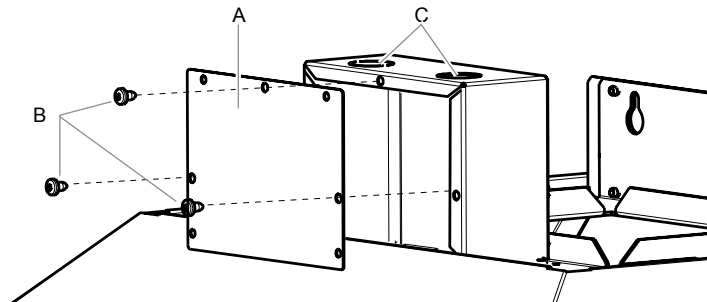




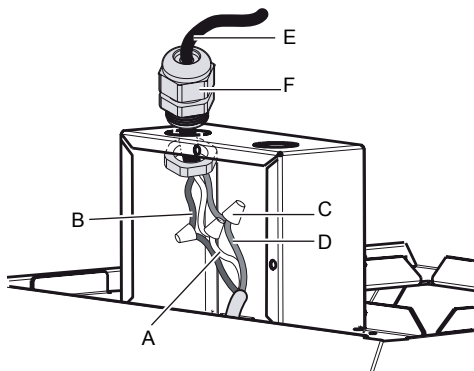
# Make Electrical Connection

**WARNING: Electrical Shock Hazard**  
**Disconnect power before servicing.**  
**Replace all parts and panels before operating.**  
**Failure to do so can result in death or electrical shock.**

1. Disconnect power.
2. Locate junction box of the range hood.
3. Remove terminal box cover and set aside.
4. Remove knockout from terminal box and install a UL listed or CSA approved ½" strain relief.
5. Place the range hood near its mounting position and run the power supply cable through the strain relief into terminal box (enough to make connection).
6. Tighten the strain relief screws.



A. Electric box cover  
 B. Cover installation screws  
 C. Knockout

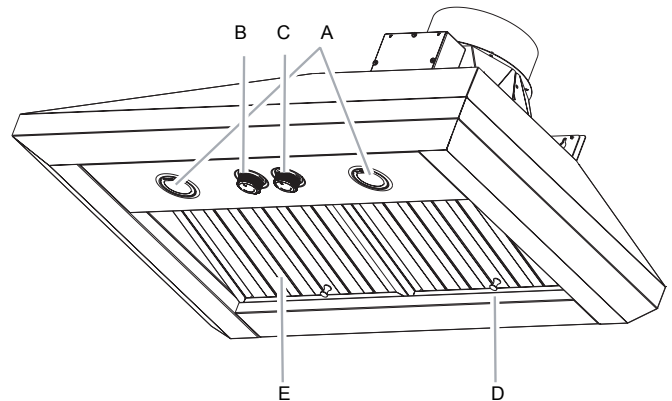


A. White wires  
 B. Black wires  
 C. UL listed wire connectors  
 D. Green, Bare or Yellow/Green wires  
 E. Home power supply  
 F. UL listed or CSA approved ½" strain relief

7. Use UL listed wire connectors and connect black wires (B) together.
8. Use UL listed wire connectors and connect white wires (A) together.
9. Connect green (or bare) ground wire from home power supply to the green/yellow ground wire (D) in terminal box using UL listed wire connectors.
10. Install terminal box cover.
11. Check that all light bulbs are secure in their sockets.
12. Reconnect power.

# Complete Installation and Check Operation

1. Install grease filters. See the "Range Hood Care" section.
2. Install heat lamps into heat lamp sockets.
3. Check operation of the range hood blower and lights. See the "Range Hood Use" section.



A. Halogen lamps  
 B. Lamps knob  
 C. Blower knob  
 D. Filter handles  
 E. Grease filter

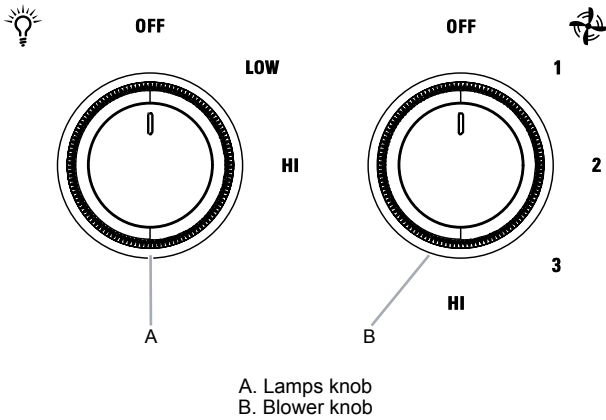
4. If range hood does not operate, check to see whether a circuit breaker has tripped or a household fuse has blown.

Disconnect power supply and check that the wiring is correct.

**NOTE:** To get the most efficient use from your new range hood, read the "Range Hood Use" section.

# Range hood use

The range hood is designed to remove smoke, cooking vapors and odors from the cooktop area. For best results, start the hood before cooking and allow it to operate several minutes after the cooking is complete to clear all smoke and odors from the kitchen. The hood controls are located on the center side of the range hood.



## Operating the lamps

1. Turn the light switch to the "LOW" position to turn the range hood lights On.
2. Turn the light switch to the "HI" position to turn the range hood lights at its higher intensity.
3. Turn the light switch to the "OFF" position to turn the range hood lights Off.

## Operating the blower

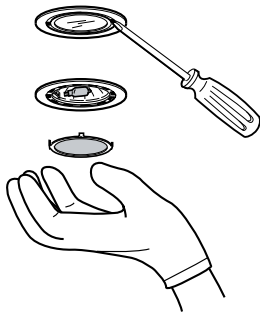
1. Turn the blower switch at "1" to turn the range hood on.
2. Turn the blower switch to the desired speed position.
3. Turn the blower switch to the "HI" position to turn the range hood on High.
4. Turn the blower switch to the "OFF" position to turn the range hood blower Off.

# Range hood care

## Replacing an Halogen Lamp

Turn off the range hood and allow the halogen lamp to cool. To avoid damage or decreasing the life of the new lamp, do not touch lamp with bare fingers. Replace lamp, using tissue or wearing cotton gloves to handle lamp. If new lights do not operate, make sure the lamps are inserted correctly before calling service.

1. Disconnect power.
2. Use a flat-blade screwdriver and gently pry the light cover loose.



3. Remove the lamp and replace with a 120-volt, 40-watt maximum, halogen lamp made for a G-9 base.
4. Replace the light cover.
5. Reconnect power.
6. Turn the light switch to the "OFF" position to turn the range hood lights Off.

# Cleaning

## Exterior surfaces:

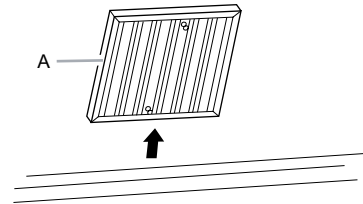
To avoid damage to the exterior surface, do not use steel wool or soap-filled scouring pads. Rub in direction of the grain line to avoid scratching the surface.

Always wipe dry to avoid water marks.

- Stainless Steel Cleaner and Polish.
- Mild liquid detergent and water.
- Wipe with damp soft cloth or nonabrasive sponge, then rinse with clean water and wipe dry.

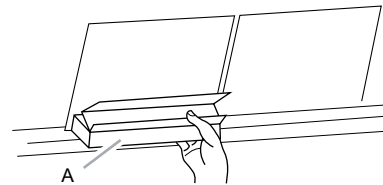
## Metal Filters and Drip Trays:

1. Use 2 hands to remove filters.
2. Grasp filter handles, pull toward the front of range hood and pull down on the rear handle to remove. Repeat for each filter.



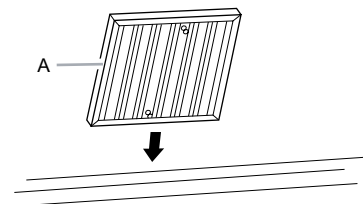
A. Grease filter

3. Remove grease drip tray.



A. Drip tray

4. Wash metal filters and grease trays as needed in dishwasher or hot detergent solution to clean.
5. Replace grease drip tray.
6. Reinstall filters, grasp filter handles and place front edge of filter into the hood.
7. Push up on the back handle and set rear of filter into the drip tray to secure. Repeat for each filter.



A. Grease filter

# WARRANTY

---

**ELICA North America**

**TWO-YEARS LIMITED WARRANTY**

## **TO OBTAIN SERVICE UNDER WARRANTY**

Owner must present proof of original purchase date. Please keep a copy of your dated proof of purchase (sales slip) in order to obtain service under warranty.

## **PARTS AND SERVICE WARRANTY**

For the period of two (2) years from the date of the original purchase, Elica will provide free of charge, non consumable parts or components that failed due to manufacturing defects. During these two (2) years limited warranty, Elica will also provide free of charge, all labor and in-home service to replace any defective parts.

## **WHAT IS NOT COVERED**

- Damage or failure to the product caused by accident or act of God, such as, flood, fire or earthquake.
- Damage or failure caused by modification of the product or use of non-genuine parts.
- Damage or failure to the product caused during delivery, handling or installation.
- Damage or failure to the product caused by operator abuse.
- Damage or failure to the product caused by dwelling fuse replacement or resetting of circuit breakers.
- Damage or failure caused by use of product in a commercial application.
- Service trips to dwelling to provide use or installation guidance.
- Light bulbs, metal or carbon filters and any other consumable part.
- Normal wear of finish.
- Wear to finish due to operator abuse, improper maintenance, use of corrosive or abrasive cleaning products/pads and oven cleaner products.

## **WHO IS COVERED**

This warranty is extended to the original purchaser for products purchased for ordinary residential use in North America (Including the United States, Guam, Puerto Rico, US Virgin Islands & Canada).

This warranty is non-transferable and applies only to the original purchaser and does not extend to subsequent owners of the product. This warranty is made expressly in lieu of all other warranties, expressed or implied, including, but not limited to any implied warranty of merchantability or fitness for a particular purpose and all other obligations on the part of Elica North America, provided, however, that if the disclaimer of implied warranties is ineffective under applicable law, the duration of any implied warranty arising by operation of law shall be limited to two (2) years from the date of original purchase at retail or such longer period as may be required by applicable law.

This warranty does not cover any special, incidental and/or consequential damages, nor loss of profits, suffered by the original purchaser, its customers and/or the users of the Products.

## **WHO TO CONTACT**

To obtain Service under Warranty or for any Service Related Question

Please Call:

- Elica North America Authorized Service at (888) 732-8018

Or by Writing To:

- Elica North America, Attention Customer Service  
6658 156th Avenue SE,  
Bellevue, WA 98006 USA  
infoamericas@elica.com