

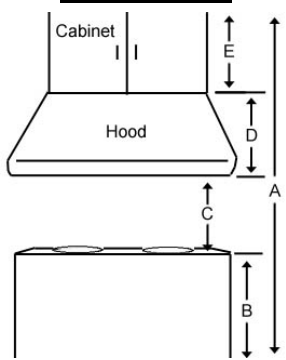
INSTALLATION

PLEASE READ ENTIRE INSTRUCTIONS BEFORE PROCEEDING

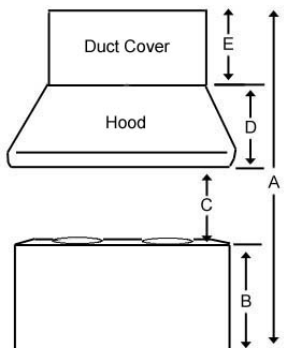
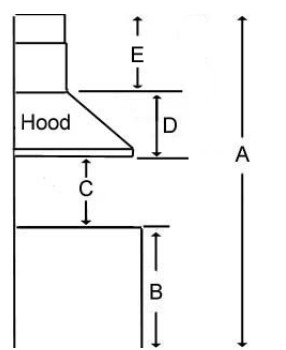
Calculation before Installation

Calculate the length of the installation, before installing the hood. (All calculation is measure in inches.)

- FOR UNDER THE CABINET -

| | |
|--|---|
| <p>TABLE 1</p> <p>A = Height of Floor to Ceiling B = Height of Floor to Counter Top (Standard: 36") C = Preferred Height of Counter Top to Hood Bottom 30" & 36" Hood (Recommended 27" to 30") 42" & 48" Hood (Recommended 30" to 36") D = Height of Hood E = Height of the Cabinet</p> | <p style="text-align: center;">CH00 Series</p>  |
|--|---|

- FOR STAND ALONE -

| | |
|---|---|
| <p>TABLE 2</p> <p>A = Height of Floor to Ceiling B = Height of Floor to Counter Top (Standard: 36") C = Preferred Height of Counter Top to Hood Bottom 30" & 36" Hood (Recommended 27" to 30") 42" & 48" Hood (Recommended 30" to 36") $[(A - B) - (D + E)]$ D = Height of Hood E = Height of Duct Cover</p> | <div style="display: flex; justify-content: space-around;"> <div style="text-align: center;"> <p>CH00 Series</p>  </div> <div style="text-align: center;"> <p>RA02 Series</p>  </div> </div> |
|---|---|



SAFETY WARNING

HOOD MAY HAVE VERY SHARP EDGES; PLEASE WEAR PROTECTIVE GLOVES IF IT IS NECESSARY TO REMOVE ANY PARTS FOR INSTALLING, CLEANING OR SERVICING.

NOTE: BE CAREFUL WHEN USING ELECTRICAL SCREWDRIVER, DAMAGE TO THE HOOD MAY OCCUR.

| | |
|--|----|
| CH00 SERIES – UNDER THE CABINET INSTALLATION | 7 |
| CH00 SERIES – STAND ALONE INSTALLATION | 9 |
| RA02 SERIES – INSTALLATION | 12 |

CH00 SERIES – UNDER THE CABINET INSTALLATION

Preparation before Installation

NOTE: TO AVOID DAMAGE TO YOUR HOOD, PREVENT DEBRIS FROM ENTERING THE VENT OPENING.

- ◆ Decide the location of the venting pipe from the hood to the outside. Refer to Figure 1.
- ◆ A straight, short venting run will allow the hood to perform more efficiently.
- ◆ Try to avoid as many transitions, elbows, and long run as possible. This may reduce the performance of the hood.
- ◆ Temporarily wire the hood to test for proper operation before installing.
- ◆ **Important: Peel protective film off the hood (if any).**
- ◆ For installing under the cabinet with recessed bottom, attach 4-inch wide wood filler strips (not included) on each side. Refer to Figure 2.
- ◆ Measure and create access opening for electrical wires under the cabinet.

Hood Installation

CAUTION: If required to move the cooking range to install the hood, turn off the power on an electric range at the main electrical box. SHUT OFF THE GAS BEFORE MOVING A GAS RANGE.

1. Puncture the knockout holes on the hood as shown in Figure 3.
2. (This step only applies to 42" and 48" models.) Attach exhaust plate on hood with four (3/16" x 3/8") screws (included). Shown in Figure 4.
3. Using references on Table 1 and measurements on page 21 center the hood in place beneath the cabinet and flush with the front of the cabinet.
4. Draw electrical wires through cabinet access opening. Refer to Figure 6.
5. From the bottom of the hood, place screw (provided) into the exact center of each knockout hole. Make sure all screws are in place before tightening screws. **CAUTION: MAKE SURE THE HOOD IS SECURE BEFORE RELEASING.**
6. For safety purpose, pre-drilled mounting holes are provided through the back of the hood. For a more secure installation, use as many mounting holes as needed to secure from the inside of hood (screws included).

Figure 1

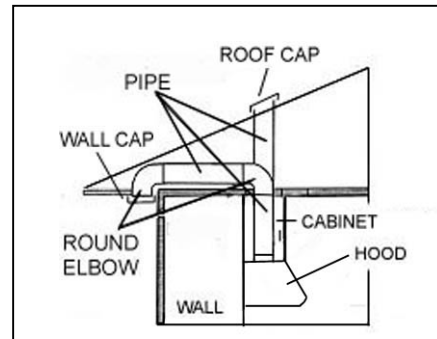


Figure 2

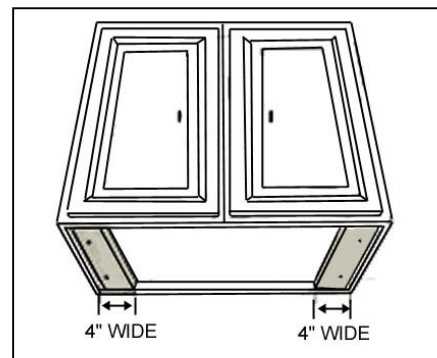
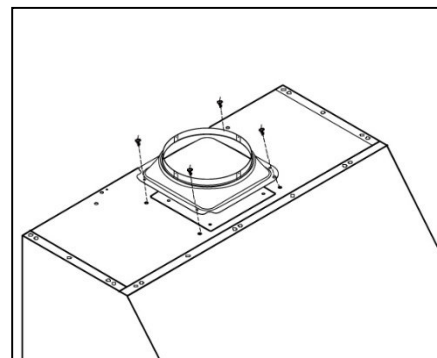


Figure 3



Figure 4



Ductwork Installation

7. Use 6" round steel pipe for 30" and 36" models or 8" round steel pipe for 42" and 48" models (follow building codes in your area) to connect the exhaust on the hood to the ductwork above. Use duct tape to make all joints secure and air tight. Refer to Figure 5.

Wiring to Power Supply



SAFETY WARNING

RISK OF ELECTRICAL SHOCK. THIS RANGE HOOD MUST BE PROPERLY GROUNDED. MAKE SURE THIS IS DONE BY SPECIALIZED ELECTRICIAN IN ACCORDANCE WITH ALL APPLICABLE NATIONAL AND LOCAL ELECTRICAL CODES. BEFORE CONNECTING WIRES, SWITCH POWER OFF AT SERVICE PANEL AND LOCK SERVICE PANEL TO PREVENT POWER FROM BEING SWITCHED ON ACCIDENTALLY.

8. Connect the electrical wires.
 - Connect three wires (black, white and green) to house wires and cap with wire connectors. Connect according to color: black to black, white to white, and green to green as shown on Figure 6.
 - If necessary to hide the electrical wire connections, push wires back into the wiring box. Access the wire connections underneath the hood. To prevent any damage, make sure wires do not slip between motor or any moving parts.

Install Accessories

9. Attach Oil Tunnel. Refer to Figure 7.
10. Refer to Figure 8. ① Slide the baffle filter into the hood. ② Push the baffle filter upward. ③ Slide forward. ④ Pull downward. ⑤ Fit into place.
11. Repeat until all baffle filters and spacers are resting against oil tunnel. Refer to page 22.

Final Assembly

12. Turn power ON in control panel. Check all lights and fan operation.
13. Make sure to leave this manual for the homeowner.

Figure 5

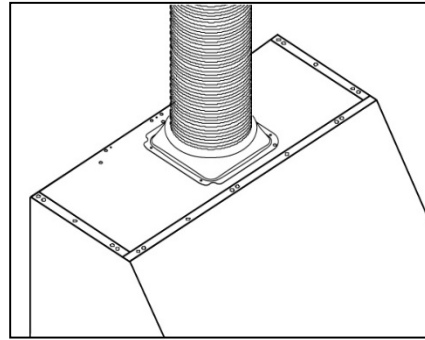


Figure 6

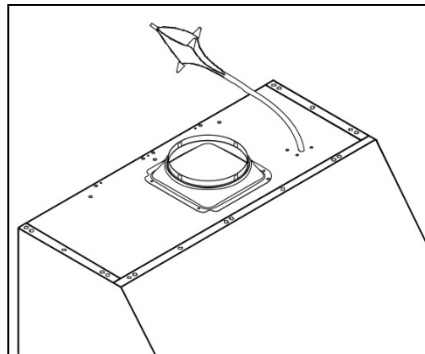


Figure 7

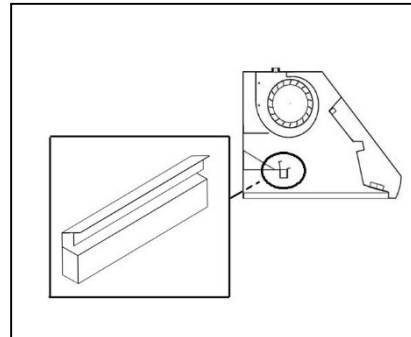
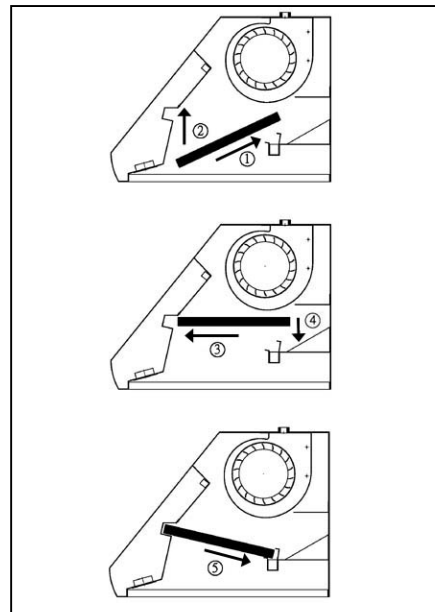


Figure 8



CH00 SERIES – STAND ALONE INSTALLATION

***This installation required to have Duct Cover
Model No. CH0030DC-12 / CH0036DC-12 / CH0042DC-12 / CH0048DC-12

Preparation before Installation

NOTE: TO AVOID DAMAGE TO YOUR HOOD, PREVENT DEBRIS FROM ENTERING THE VENT OPENING.

- ◆ Decide the location of the venting pipe from the hood to the outside. Refer to Figure 9.
- ◆ A straight, short venting run will allow the hood to perform more efficiently.
- ◆ Try to avoid as many transitions, elbows, and long run as possible. This may reduce the performance of the hood.
- ◆ Temporarily wire the hood to test for proper operation before installing.
- ◆ **Important: Peel protective film off the hood and the duct cover (if any).**
- ◆ If necessary, prepare back wall frame with cross framing lumber for secure installation.
- ◆ Using references on Table 2 and measurements on page 21-22, decide the level of the lumber. Refer to Figure 10.

Preparation before Installation

CAUTION: If required to move the cooking range to install the hood, turn off the power on an electric range at the main electrical box. **SHUT OFF THE GAS BEFORE MOVING A GAS RANGE.**

1. (This step only applies to 42" and 48" models.) Attach exhaust plate on hood with four (3/16" x 3/8") screws (included). Shown in Figure 11.
2. If necessary, remove the rubber stand on the back of the hood.
3. Use twelve (3/16" x 3/8") screws (included) to attach the two hood-mounting brackets (included) to the top of the hood.
4. Using references in Table 2 and Measurements and Diagrams on pages 21-22, mark the leveling point of the hood. Position six mounting screws (included) on the wall, leaving 1/8" away from the wall.

Figure 9

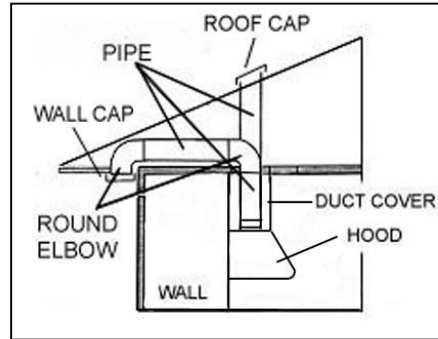


Figure 10

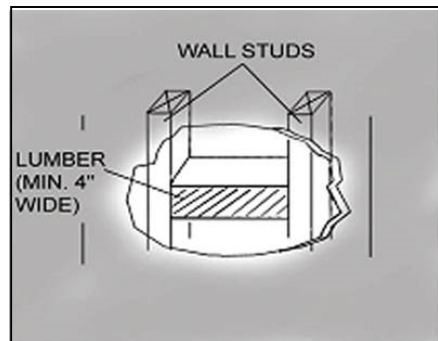
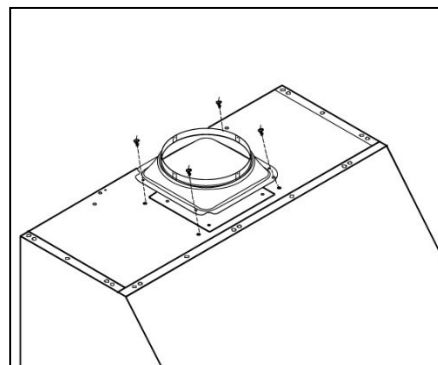


Figure 11



5. Align hood-mounting bracket to the six screws on the wall and hook hood into place. Tighten screws to secure hood to the wall.
6. For safety purpose, pre-drilled mounting holes are provided through the back of the hood. For a more secure installation, use as many mounting holes as needed to secure from the inside of hood (screws included).



CAUTION: MAKE SURE HOOD IS SECURE BEFORE RELEASING.

Wiring to Power Supply

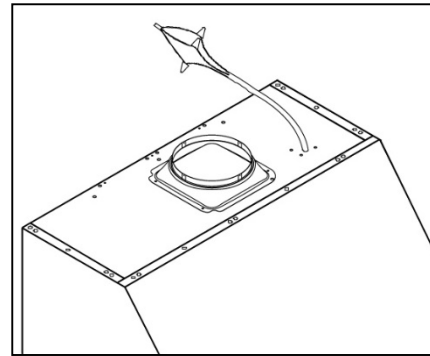


SAFETY WARNING

RISK OF ELECTRICAL SHOCK. THIS RANGE HOOD MUST BE PROPERLY GROUNDED. MAKE SURE THIS IS DONE BY SPECIALIZED ELECTRICIAN IN ACCORDANCE WITH ALL APPLICABLE NATIONAL AND LOCAL ELECTRICAL CODES. BEFORE CONNECTING WIRES, SWITCH POWER OFF AT SERVICE PANEL AND LOCK SERVICE PANEL TO PREVENT POWER FROM BEING SWITCHED ON ACCIDENTALLY.

7. Connect the electrical wires.
 - Connect three wires (black, white and green) to house wires and cap with wire connectors. Connect according to color: black to black, white to white, and green to green as shown on Figure 12.
 - If necessary to hide the electrical wire connections, push wires back into the wiring box. Access the wire connections underneath the hood. To prevent any damage, make sure wires do not slip between motor or any moving parts.

Figure 12



Duct Cover Installation

- Use 6" round steel pipe for 30" and 36" models or 8" round steel pipe for 42" and 48" models (follow building codes in your area) to connect the exhaust on the hood to the ductwork above. Use duct tape to make all joints secure and air tight. Refer Figure 13. Slide the duct cover onto the hood.
- Use 3/16" x 3/8" screws (included) to attach duct cover to hood.

Install Accessories

- Attach oil tunnel. Refer to Figure 14.
- Refer to Figure 15. ① Slide the baffle filter into the hood. ② Push the baffle filter upward. ③ Slide forward. ④ Pull downward. ⑤ Fit into place.
- Repeat until all baffle filters and spacers are resting against oil tunnel. Refer to page 22.

Final Assembly

- Turn power ON in control panel. Check all lights and fan operation.
- Make sure to leave this manual for the homeowner.

Figure 13

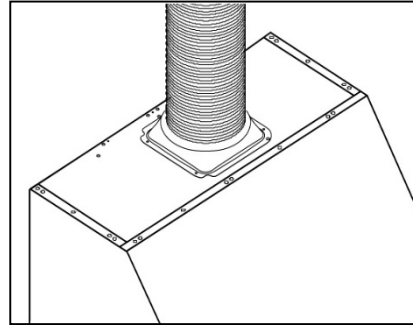


Figure 14

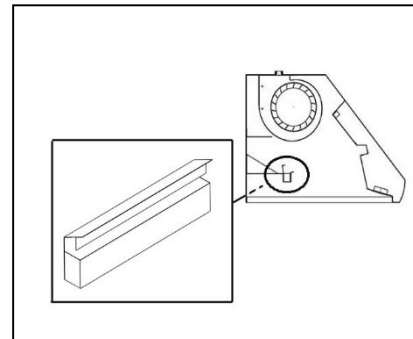
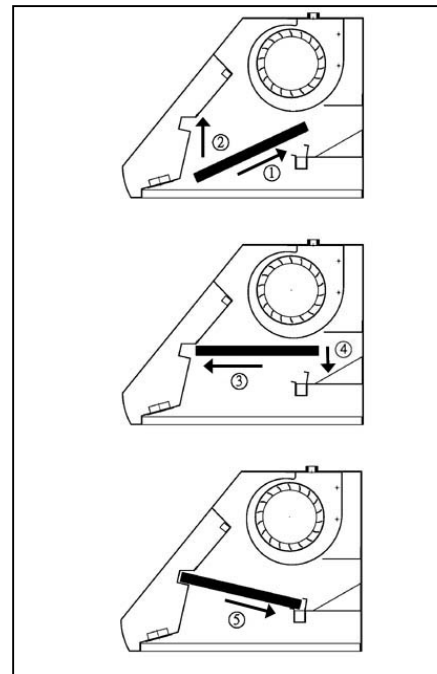


Figure 15



RA02 SERIES - INSTALLATION

Preparation before Installation

NOTE: TO AVOID DAMAGE TO YOUR HOOD, PREVENT DEBRIS FROM ENTERING THE VENT OPENING.

- ◆ Decide the location of the venting pipe from the hood to the outside. (Figure 16)
- ◆ A straight, short venting run will allow the hood to perform more efficiently.
- ◆ Try to avoid as many transitions, elbows, and long run as possible. This may reduce the performance of the hood.
- ◆ Temporarily wire the hood to test for proper operation before installing
- ◆ **Important: Peel protective film off the hood and the duct cover (if any).**
- ◆ If necessary, prepare back wall frame with cross framing lumber for secure installation. Refer to Table 2 and measurements on Page 23 to decide the level of the lumber. (Figure 17)
- ◆ Loosen hood-mounting brackets at the back of the hood, adjust brackets and tighten screws.
- ◆ If necessary, remove the rubber stand on the back of the hood. (Figure 18)

Figure 16

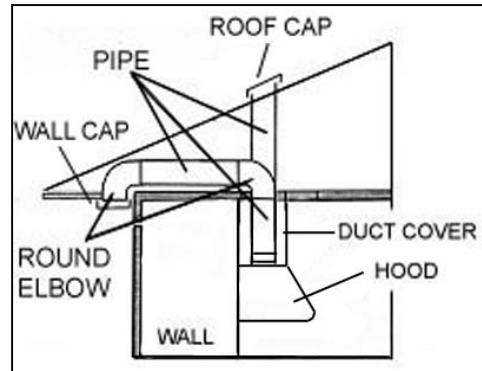


Figure 17

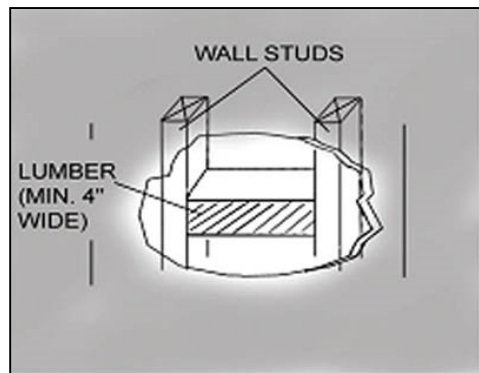
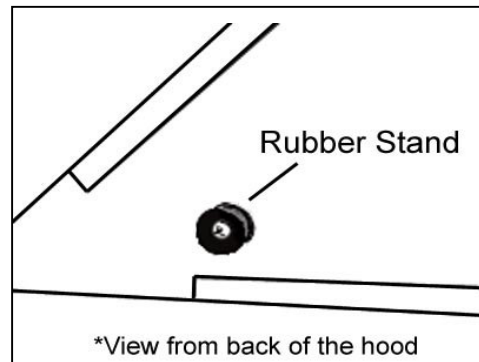


Figure 18



Hood Installation

CAUTION: If required to move the cooking range to install the hood, turn off the power on an electric range at the main electrical box. **SHUT OFF THE GAS BEFORE MOVING A GAS RANGE.**

1. Using references in Table 2 and measurements on Page 23, mark the leveling locations point for hood-mounting bracket on the wall.
2. Secure two mounting screws (provided) to the wall, leaving an 1/8" space from the wall.
3. Align the hood-mounting bracket to the mounting screws on the wall and hang hood into place.
4. Secure and tighten the mounting screws.

CAUTION: MAKE SURE HOOD IS SECURE BEFORE RELEASING.

Wiring to Power Supply

SAFETY WARNING

RISK OF ELECTRICAL SHOCK. THIS RANGE HOOD MUST BE PROPERLY GROUNDED. MAKE SURE THIS IS DONE BY SPECIALIZED ELECTRICIAN IN ACCORDANCE WITH ALL APPLICABLE NATIONAL AND LOCAL ELECTRICAL CODES. BEFORE CONNECTING WIRES, SWITCH POWER OFF AT SERVICE PANEL AND LOCK SERVICE PANEL TO PREVENT POWER FROM BEING SWITCHED ON ACCIDENTALLY.

5. Connect the electrical wires.
 - Connect three wires (black, white and green) to house wires and cap with wire connectors. Connect according to color: black to black, white to white, and green to green as shown on Figure 19.
 - If necessary to hide the electrical wire connections, push wires back into the wiring box. Access the wire connections underneath the hood. To prevent any damage, make sure wires do not slip between motor or any moving parts.

Figure 19

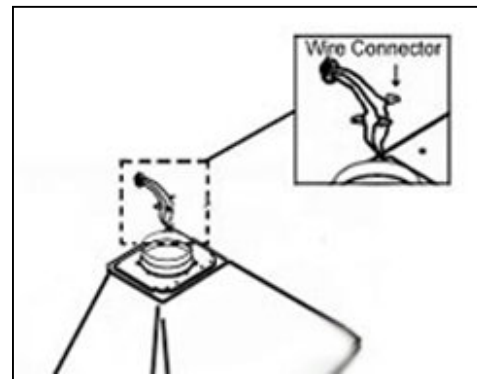


Figure 20

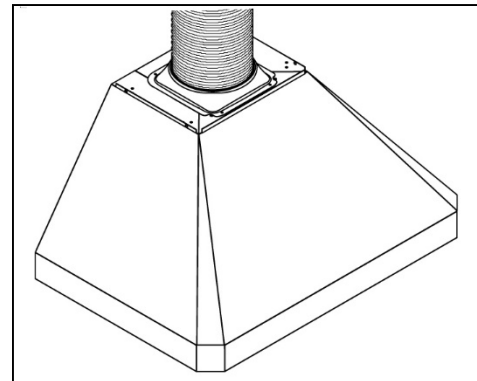
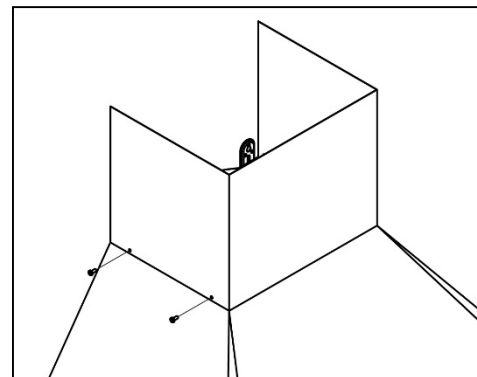


Figure 21



Duct Cover Installation

- Use 6" round steel pipe for 30" and 36" models or 8" round steel pipe for 42" and 48" models (follow building codes in your area) to connect the exhaust on the hood to the ductwork above. Use duct tape to make all joints secure and air tight. Refer Figure 20.
- Use four 4mm x 8mm screws (included) to attach duct cover to hood. Refer to Figure 21.

Install Accessories

- Attach oil tunnel. Refer to Figure 22.
- Refer to Figure 23. ① Slide the baffle filter into the hood. ② Push the baffle filter upward. ③ Slide forward. ④ Pull downward. ⑤ Fit into place.
- Repeat until all baffle filters and spacers are resting against oil tunnel. Refer to page 23.

Final Assembly

- Turn power ON in control panel. Check all lights and fan operation.
- Make sure to leave this manual for the homeowner.

Figure 22

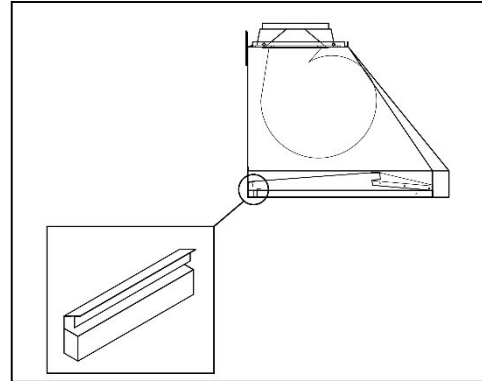


Figure 23

