

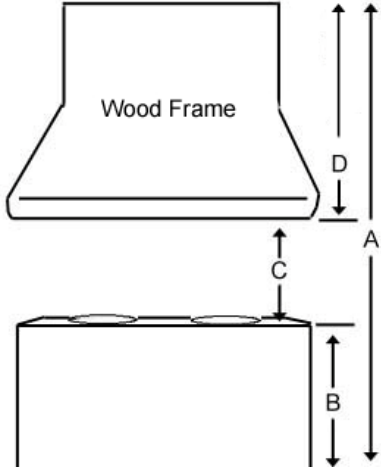
# INSTALLATION

PLEASE READ ENTIRE INSTRUCTIONS BEFORE PROCEEDING

## Calculation Before Installation

To calculate installation, please refer to TABLE 1. (All calculation in inches.)

**- FOR UNDER THE CABINET -**

TABLE 1	
<p>A = Height of Floor to Ceiling B = Height of Floor to Counter Top (Standard: 36") <b>C = Height of Counter Top to Wood Frame Bottom (Minimum 26" to 30")</b> D = Height of Wood Frame</p>	

## **⚠ SAFETY WARNING**

**HOOD MAY HAVE VERY SHARP EDGES; PLEASE WEAR PROTECTIVE GLOVES IF REMOVING ANY PARTS FOR INSTALLING, CLEANING OR SERVICING.**

**NOTE: BE CAREFUL WHEN USING ELECTRICAL SCREWDRIVER, DAMAGE TO THE HOOD MAY OCCUR.**

## Preparation Before Installation

**NOTE:** TO AVOID DAMAGE TO YOUR HOOD, PREVENT DEBRIS FROM ENTERING THE VENT OPENING.

- Decide the location of the venting pipe from the hood to the outside. Refer to Figure 1.
- A straight, short vent run will allow the hood to perform more efficiently.
- Try to avoid as many transitions, elbows, and long run as possible. This may reduce the performance of the hood.
- Temporarily wire the hood to test for proper operation before installing.
- **Important: Peel protective film off the hood, if any.**
- Use duct tape to seal joints between pipe sections.

**CAUTION:** If moving the cooking range is necessary to install the hood, turn off the power in an electric range at the main electrical box. **SHUT OFF THE GAS BEFORE MOVING A GAS RANGE.** And use a protective covering to protect cooktop and/or countertop from damage.

## Custom Hood Preparation

1. The custom hood frame must be designed according to the shape and the weight of the hood. Refer to Measurements and Diagrams on Page 14.
2. A sturdy base (3/4 inch thick plywood recommended) is needed to sustain the weight of hood.
3. It is recommended to install front & rear stud support (not included). Refer to Figure 2. For safety purposes, extra installation holes on the side of the hood are provided. Prepare the side stud support if needed.
4. Determine and mark the centerlines on the base of the wood frame where the hood will be installed.
5. Location the proper location for the Power Supply Cable. Make a wiring access hole using a drill bit. Install the wire cable and seal the gap around hole.
6. Cut out the opening where the hood will be installed. (Figure 3)

## Hood Preparation Before Installation

**CAUTION:** If moving the cooking range is necessary to install the hood, turn off the power in an electric range at the main electrical box. **SHUT OFF THE GAS BEFORE MOVING A GAS RANGE.**

7. Choose the required vent option. The Round Exhaust Plate is pre-installed for top vent.
8. For Top 3-1/4" x 10" rectangular installation only:
  - Remove the pre-installed Round Exhaust Plate (Refer to Figure 5). Keep screws to attach Rectangular Exhaust Plate and Rectangular Exhaust Adapter.
  - Place Rectangular Exhaust Plate over vent and secure with 2 screws (Refer to Figure 6). Place Rectangular Exhaust Adapter over the Rectangular Exhaust plate and secure with 10 screws (Refer to Figure 6).
  - Use remaining screws to secure exhaust plate.

Figure 1

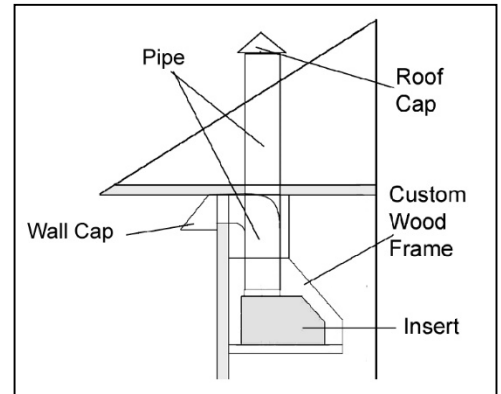


Figure 2

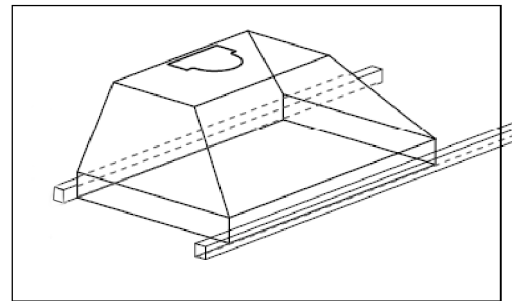


Figure 3

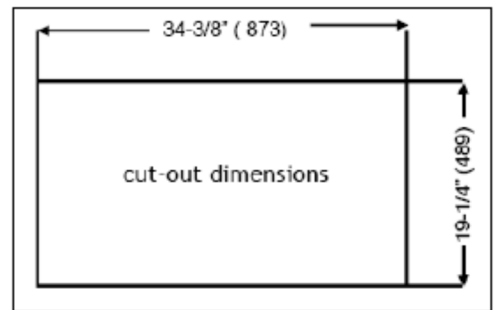
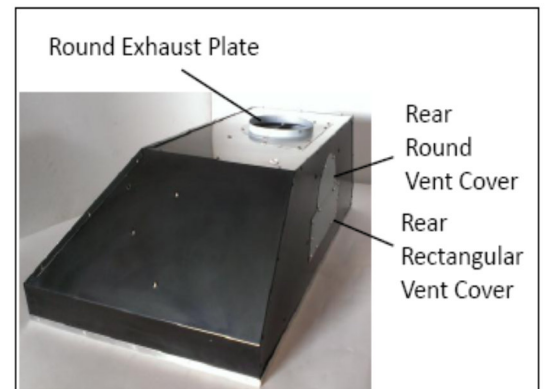


Figure 4



**For Rear Vent Options only:**

**NOTE: The blower is pre-installed for top vent. If installing as rear vent, follow the steps below.**

9. For Rear 6" round installation only:
  - Remove the Rear Round Vent Cover and Rear Rectangular Vent Cover (Refer to Figure 4). Keep screws to attach Round Exhaust Plate to rear vent.
  - Remove the pre-installed Round Exhaust Plate from top vent (Refer to Figure 5). Attach it to the rear vent (Refer to Figure 7) using the screws removed from vent covers.
  - Use the Round and Rectangular vent covers removed from rear vent to seal top vent.
  - Remove the 4 screws that secure the blower system (Refer to Figure 8). Hold the blower to keep it from dropping as you remove screws. Keep screws to re-attach blower. Slowly rotate blower system to align with mounting holes at the back of the hood. Secure blower using 4 screws (Refer to Figure 9).
10. For Rear 3-1/4" x 10" rectangular installation only:
  - Remove the Rear Round Vent Cover and Rear Rectangular Vent Cover (Refer to Figure 5). Keep screws to attach Rectangular Exhaust Plate and Rectangular Exhaust Adapter.
  - Place the Rectangular Exhaust Plate over vent and secure with 2 screws (Refer to Figure 10). Place Rectangular Exhaust Adapter over the Rectangular Exhaust Plate and secure with 10 screws (Refer to Figure 10).
  - Use remaining screws to secure exhaust plate.
  - Remove the pre-installed Round Exhaust Plate from top vent and keep screws (Refer to Figure 4). Use the Round and Rectangular vent covers removed from rear to seal top vent.
  - Remove the 4 screws that secure the blower system (Refer to Figure 8). Hold the blower to keep it from dropping as you remove screws. Keep screws to re-attach blower. Slowly rotate blower system to align with mounting holes at the back of the hood. Secure the blower using 4 screws (Refer to Figure 9).

Figure 5

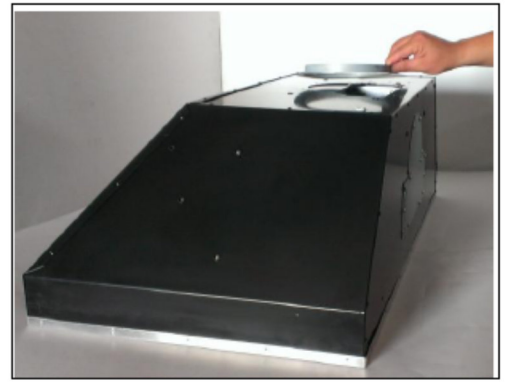


Figure 6



Figure 7

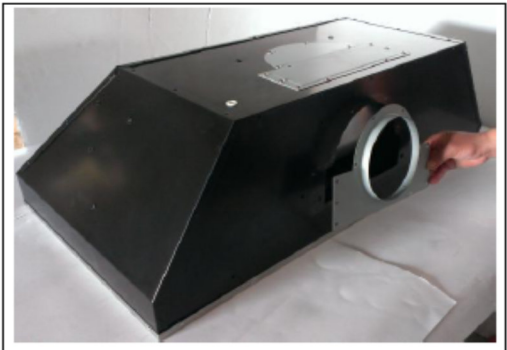


Figure 8



**Duct Work Installation**

11. Determine and make all necessary cuts in the wall or ceiling for the ductwork. Note: Install the ductwork before installing the hood.
12. Use steel pipe to connect the exhaust on the hood to the ductwork above. Use duct tape to make all joints secure and air tight.
13. Please refer to local building codes for the usage of a damper (not included).

## Wiring to Power Supply

### **⚠ SAFETY WARNING**

**RISK OF ELECTRICAL SHOCK. THIS RANGE HOOD MUST BE PROPERLY GROUNDED. MAKE SURE THIS IS DONE BY QUALIFIED ELECTRICIAN IN ACCORDANCE WITH ALL APPLICABLE NATIONAL AND LOCAL ELECTRICAL CODES. BEFORE CONNECTING WIRES, SWITCH POWER OFF AT SERVICE PANEL AND LOCK SERVICE PANEL TO PREVENT POWER FROM BEING SWITCHED ON ACCIDENTALLY.**

14. Connect electrical wires.
15. Connect three wires (black, white and green) to house wires and cap with wire connectors. Connect wires corresponding to their colors (i.e. black to black, white to white, and green to green).
16. Store wires in a wiring box.

## Hood Installation

**NOTE: USE HAND TOOLS ONLY. DO NOT OVER TIGHTEN SCREWS, MAY CAUSE DAMAGE TO THE HOOD.**

17. Remove the light panel by removing 10 screws located at the bottom of the hood (Refer to Figure 11). Carefully remove the light support panel.
18. Position the hood inside the custom wood frame, and secure the hood to the front and rear stud support ( Refer to Figure 2) by using the front and rear mounting holes (Screws included).
19. For a more secure installation, use the mounting holes located on the side of the hood
20. Make sure hood is secure before releasing.
21. Re-install the light support panel. (Do not over tighten screws.)

**⚠ CAUTION: MAKE SURE HOOD IS SECURE BEFORE RELEASING**

Figure 9

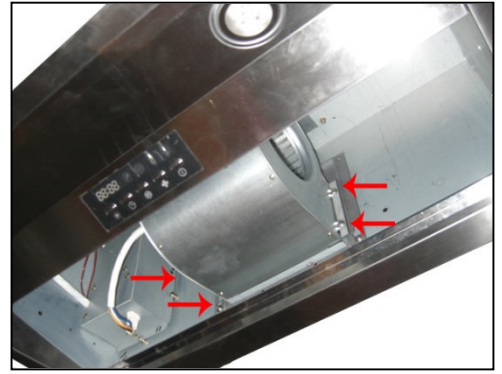


Figure 10



Figure 11



## Final Assembly

22. Install the oil tunnel into recess support near rear of hood. Refer to Figure 12.
23. Install baffle filters. Angle baffle filter toward back of hood  
①. Push baffle filter up until almost level ②. Slide forward into recess behind the front of hood ③. Lower baffle filter ④. Slide back until it fits into resting position ⑤. Refer to Figure 13.

Figure 12

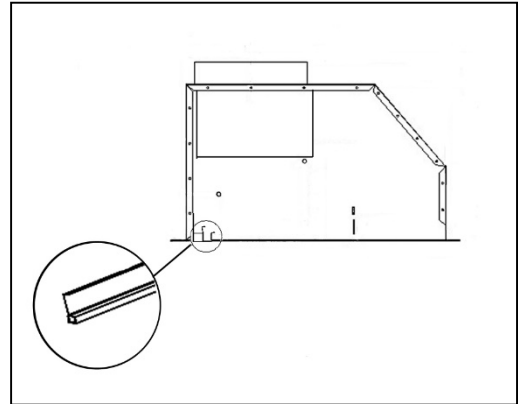


Figure 13

