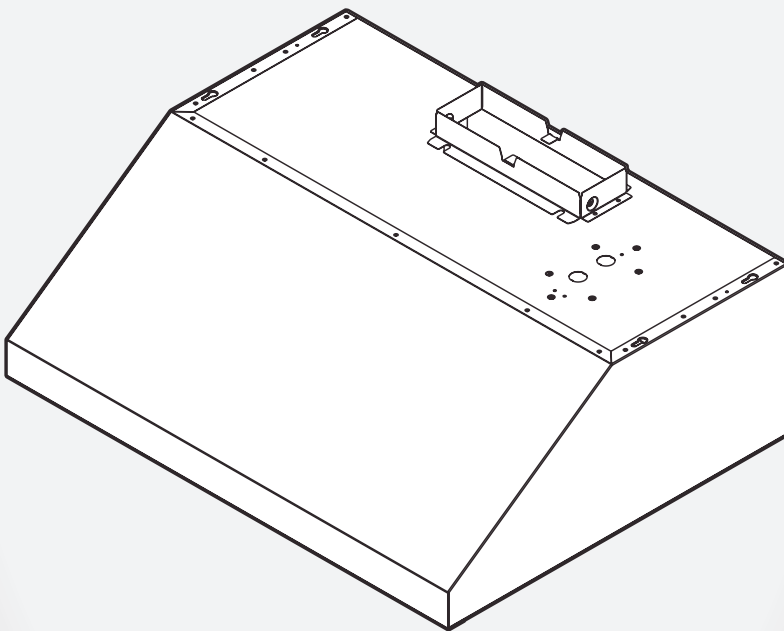


Use, Care, and Installation Guide

Guide
d'utilisation,
d'entretien et
d'installation

Guía de
instalación, uso y
mantenimiento



READ AND SAVE THESE
INSTRUCTIONS

LISEZ CES
INSTRUCTIONS ET
CONSERVEZ-LES

LEA Y CONSERVE
ESTAS INSTRUCCIONES

Models: | ESR430S1
 | ESR436S1

Contents

Important safety notice..... 3

 Electrical & installation requirements 4

 Before installing the hood 4

Dimensions and clearances..... 4

List of materials.....5

 Parts supplied5

 Parts not supplied5

Ducting options and examples..... 6

Installation 6

 Electrical connection..... 9

 Complete the installation..... 9

Description of the hood.....9

Control.....10

Maintenance10

Warranty 11

**APPROVED FOR RESIDENTIAL APPLIANCES
FOR RESIDENTIAL USE ONLY
READ AND SAVE THESE INSTRUCTIONS**

**PLEASE READ ENTIRE INSTRUCTIONS BEFORE PROCEEDING.
INSTALLATION MUST COMPLY WITH ALL LOCAL CODES.**

IMPORTANT: Save these Instructions for the Local Electrical Inspector’s use.

INSTALLER: Please leave these Instructions with this unit for the owner.

OWNER: Please retain these instructions for future reference.

Safety Warning: Turn off power circuit at service panel and lock out panel, before wiring this appliance.

Requirement: 120 V AC, 60 Hz. 15 or 20 A Branch Circuit.

⚠ IMPORTANT SAFETY NOTICE

⚠ CAUTION

FOR GENERAL VENTILATING USE ONLY. DO NOT USE TO EXHAUST HAZARDOUS OR EXPLOSIVE MATERIALS OR VAPOURS.

⚠ WARNING

TO REDUCE THE RISK OF FIRE, ELECTRIC SHOCK, OR INJURY TO PERSONS, OBSERVE THE FOLLOWING:

- A. Use this unit only in the manner intended by the manufacturer. If you have questions, contact the manufacturer.
- B. Before servicing or cleaning the unit, switch power off at service panel and lock service panel disconnecting means to prevent power from being switched on accidentally.
When the service disconnecting means cannot be locked, securely fasten a prominent warning device, such as a tag, to the service panel.
- C. Installation work and electrical wiring must be done by qualified person(s) in accordance with all applicable codes & standards, including fire-rated construction.
- D. Sufficient air is needed for proper combustion and exhausting of gases through the flue (Chimney) of fuel burning equipment to prevent back-drafting.
Follow the heating equipment manufacturers guideline and safety standards such as those published by the national fire protection association (NFPA), the american society for heating, refrigeration and air conditioning engineers (ASHRAE), and the local code authorities.
- E. When cutting or drilling into wall or ceiling, do not damage electrical wiring and other hidden utilities.
- F. Ducted fans must always be vented to the outdoors.

⚠ CAUTION

To reduce risk of fire and to properly exhaust air, be sure to duct air outside - do not vent exhaust air into spaces within walls, ceilings, attics, crawl spaces, or garages.

⚠ WARNING

TO REDUCE THE RISK OF FIRE, USE ONLY METAL DUCT WORK.

Suitable for use in a household cooking area.
Install this hood in accordance with all requirements specified.

⚠ WARNING

To reduce the risk of fire or electric shock, do not use this hood with any external solid state speed control device.

⚠ WARNING

TO REDUCE THE RISK OF A RANGE TOP GREASE FIRE.

- a) Never leave surface units unattended at high settings. Boilovers cause smoking and greasy spillovers that may ignite. Heat oils slowly on low or medium settings.
- b) Always turn hood ON when cooking at high heat or when flambeing food (i.e. Crepes Suzette, Cherries Jubilee, Peppercorn Beef Flambe').
- c) Clean ventilating fans frequently. Grease should not be allowed to accumulate on fan or filter.
- d) Use proper pan size. Always use cookware appropriate for the size of the surface element.

⚠ WARNING

TO REDUCE THE RISK OF INJURY TO PERSONS, IN THE EVENT OF A RANGE TOP GREASE FIRE, OBSERVE THE FOLLOWING:^a

- a) SMOTHER FLAMES with a close-fitting lid, cookie sheet, or other metal tray, then turn off the gas burner or the electric element. BE CAREFUL TO PREVENT BURNS. If the flames do not go out immediately, EVACUATE AND CALL THE FIRE DEPARTMENT.
- b) NEVER PICK UP A FLAMING PAN - you may be burned.
- c) DO NOT USE WATER, including wet dishcloths or towels - a violent steam explosion will result.
- d) Use an extinguisher ONLY if:
 - 1) You know you have a class ABC extinguisher, and you already know how to operate it.
 - 2) The fire is small and contained in the area where it started.
 - 3) The fire department is being called.
 - 4) You can fight the fire with your back to an exit.

^aBased on "Kitchen Fire Safety Tips" published by NFPA.

⚠ CAUTION

Automatically Operated Device - To Reduce The Risk Of Injury Disconnect From Power Supply Before Servicing.

ELECTRICAL & INSTALLATION REQUIREMENTS

IMPORTANT

Observe all governing codes and ordinances.

It is the customer's responsibility:

- To contact a qualified electrical installer.
- To assure that the electrical installation is adequate and in conformance with National Electrical Code, ANSI/NFPA 70 — latest edition*, or CSA Standards C22.1-94, Canadian Electrical Code, Part 1 and C22.2 No.0-M91-latest edition** and all local codes and ordinances.
- If codes permit and a separate ground wire is used, it is recommended that a qualified electrician determine that the ground path is adequate.
- Do not ground to a gas pipe.
- Check with a qualified electrician if you are not sure range hood is properly grounded.
- Do not have a fuse in the neutral or ground circuit.

IMPORTANT

- Save Installation Instructions for electrical inspector's use.
- The range hood must be connected with copper wire only.
- The range hood should be connected directly to the fused disconnect (Or circuit breaker) box through metal electrical conduit.
- Wire sizes must conform to the requirements of the National Electrical Code ANSI/NFPA 70 — latest edition*, or CSA Standards C22.1-94, Canadian Electrical Code Part 1 and C22.2 No. 0-M91 - latest edition** and all local codes and ordinances.
- A U.L.- or C.S.A.-listed conduit connector must be provided at each end of the power supply conduit (at the range hood and at the junction box).

Copies of the standards listed may be obtained from:

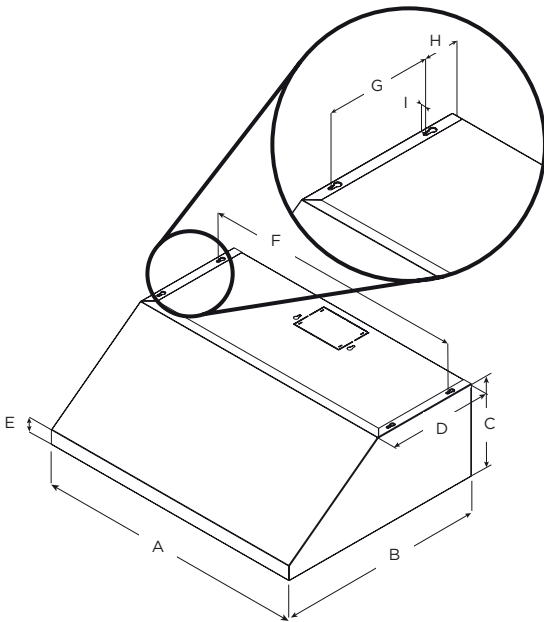
* National Fire Protection Association Batterymarch Park Quincy, Massachusetts 02269

** CSA International 8501 East Pleasant Valley Road Cleveland, Ohio 44131-5575

BEFORE INSTALLING THE HOOD

- 1 For the most efficient air flow exhaust, use a straight run or as few elbows as possible.
CAUTION: Vent unit to outside of building, only.
- 2 At least two people are necessary for installation.
- 3 Fittings material is provided to secure the hood to most types of walls/ceilings, consult a Qualified Installer, check if they perfectly fit with your cabinet/wall.
- 4 Do not use flex ducting.
- 5 COLD WEATHER installations should have an additional backdraft damper installed to minimize backward cold air flow and a nonmetallic thermal break to minimize conduction of outside temperatures as part of the ductwork. The damper should be on the cold air side of the thermal break.
The break should be as close as possible to where the ducting enters the heated portion of the house.
- 6 Make up air: Local building codes may require the use of Make-Up Air Systems when using Ducted Ventilation Systems greater than specified CFM of air movement. The specified CFM varies from locale to locale. Consult your HVAC professional for specific requirements in your area.

PRODUCT DIMENSIONS



	Models	
	ESR430S1	ESR436S1
A	30" (76 cm)	36" (91.54 cm)
B	23" (58.4 cm)	
C	10" (25.4 cm)	
D	11 ¹ / ₁₆ " (29.7 cm)	
E	2 ³ / ₁₆ " (5.5 cm)	
F	29" (73.3 cm)	35" (88.9 cm)
G	7 ¹ / ₂ " (19 cm)	
H	2 ⁹ / ₁₆ " (6.5 cm)	
I	3 ⁸ / ₁₆ " (1 cm)	

LIST OF MATERIALS

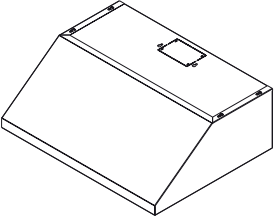
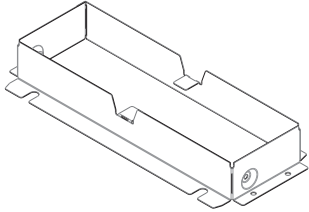

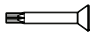

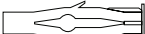




Removing the packaging.

⚠ CAUTION

Remove carton carefully, wear gloves to protect against sharp edges.

⚠ WARNING

Remove the protective film covering the product before putting into operation.

Supplied Part	Pieces	Supplied Part	Pieces
	1		1
Hood assembly		Rectangular duct 3¼" x 10" (8.3 x 25.4 cm)	
	6		1
5x45 mm		Torx 20 adapter	
	6		6
5.4x75 mm		10x50 mm wall anchors	
	4		6
4.5x13 mm		8x40 mm wall anchors	
	4		2
4x8 mm		6.4x18 mm wall anchors	
Parts no supplied			

Tools/Materials required

- Level
- Drill with 1¼" (3.0 cm), ½" (3.0 mm), ⅛" (4.8 mm) drill bits
- Pencil
- Wire stripper or utility knife
- Tape measure or ruler
- Pliers
- Caulking gun and weatherproof caulking compound
- Vent clamps
- Saber or keyhole saw
- Metal snips
- Screwdrivers:
 - Phillips
 - Flat-blade

Parts needed

- Home power supply cable
- ½" (12.7 mm) UL listed or CSA approved strain relief
- 3 UL listed wire connectors

Ducting Options

Closely follow the instructions set out in this manual.

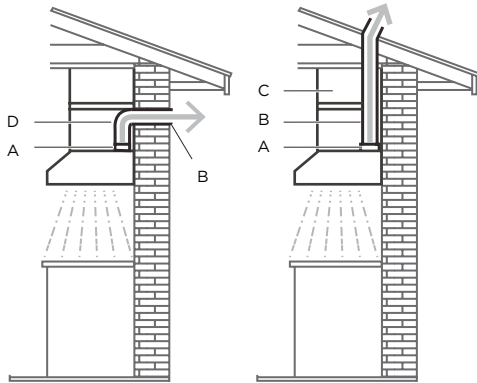
All responsibility, for any eventual inconveniences, damages or fires caused by not complying with the instructions in this manual, is declined.

This hood is factory set for venting through the roof (vertical discharge) or wall (horizontal discharge). A $3\frac{1}{4}$ " x 10" (8.3 x 25.4 cm) rectangular duct system is needed for installation (not included). The hood exhaust opening is $3\frac{1}{4}$ " x 10" (8.3 x 25.4 cm).

NOTE: Flexible vent is not recommended. Flexible vent creates back pressure and air turbulence that greatly reduce performance. Vent system can terminate either through the roof or wall. To vent through a wall, a 90° elbow is needed.

Vertical Discharge

Use a rectangular duct $3\frac{1}{4}$ " x 10" (8.3 x 25.4 cm) and a $3\frac{1}{4}$ " x 10" (8.3 x 25.4 cm) rectangular transition for discharge of fumes to the outside.

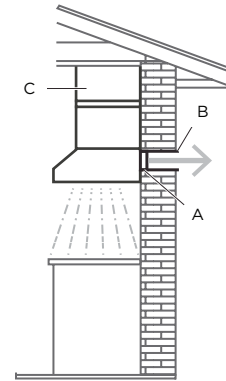


A. $3\frac{1}{4}$ " x 10" (8.3 x 25.4 cm) rectangular transition
B. $3\frac{1}{4}$ " x 10" (8.3 x 25.4 cm) duct

C. Cabinet
D. 90° elbow

Horizontal Discharge

Use a rectangular duct $3\frac{1}{4}$ " x 10" (8.3 x 25.4 cm) for discharge of fumes to the outside.



A. $3\frac{1}{4}$ " x 10" (8.3 x 25.4 cm) rectangular transition
B. $3\frac{1}{4}$ " x 10" (8.3 x 25.4 cm) duct
C. Cabinet

Preparation

Do not cut a joist or stud unless absolutely necessary. If a joist or stud must be cut, then a supporting frame must be constructed.

Fittings material is provided to secure the hood to most types of walls/ceilings.

However, a qualified technician must verify suitability of the materials in accordance with the type of wall/ceiling.

Before making cutouts, make sure there is proper clearance within the ceiling or wall for exhaust vent.

CAUTION

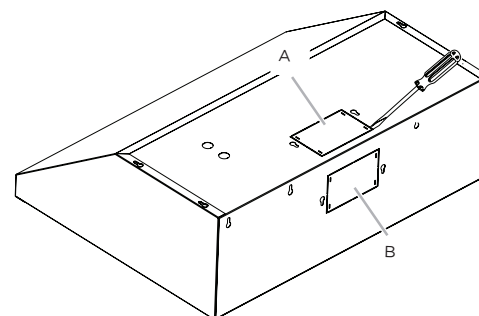
Mount this hood so that the bottom edge is at 30" (76.2 cm) minimum or 36" (91.4 cm) maximum above the cooking surface. Household use, please, read installation manual for specific application. Check your ceiling height and the hood height maximum before you select your hood.

Installation- Ducting Version

After having chosen the vent option, proceed as follows:

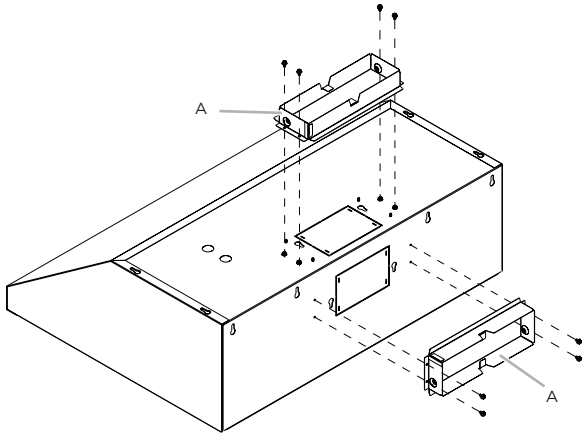
- Prepare duct and conduit cut outs as needed.
- If possible, disconnect and move freestanding or slide-in range from cabinet opening to provide easier access to rear wall. Otherwise put a thick, protective covering over countertop, cooktop or range to protect from damage and debris. Select a flat surface for assembling the unit. Cover that surface with a protective covering and place all canopy hood parts and hardware in it.
- Determine and mark the centerline on the wall where the canopy hood will be installed. Select a mounting height comfortable for the user and mark on wall.
- Prepare duct and conduit cut outs as needed.
- Remove the duct knockouts using a flat blade screwdriver and a small hammer.

- Use the screwdriver by knocking out the panel in similar fashion to a scalpel.
- Take care of sharp edges.



A. Vertical discharge
B. Horizontal discharge

- Attach air exhaust transition over knockout opening with 4 - 4x8 mm screws.



NOTE:

The exhaust adaptor/damper can be installed up to 1 inch on either side of the hood center to accommodate offcenter ductwork. In extreme offcenter installations, one end of the duct connector may need to be trimmed to clear the electrical cable clamp.

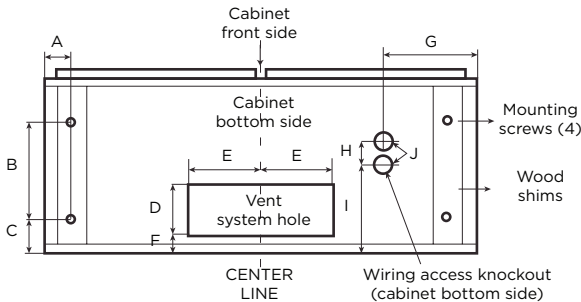
Mark holes

Select the vent option that your installation will require and proceed to that section:

Outside top exhaust

(Vertical duct- 3/4"x 10" Rectangular)

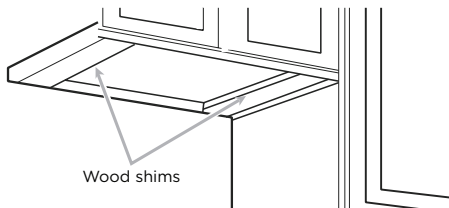
Use the diagram or the hood as a template and mark the locations on the cabinet for ductwork, electrical wiring and keyhole screw slots. It is recommended to make the marks before the cabinet's installation.



DIM	30" model	36" model	DIM	30" model	36" model
A	3/2" (1 cm)		F	5/8" (2 cm)	
B	7 1/2" (19 cm)		G	2 3/4" (7 cm)	
C	2 3/64" (6 cm)		H	1 1/8" (4.7 cm)	
D	4 3/64" (11 cm)		I	5 7/8" (15 cm)	
E	5 1/2" (14 cm)		J	1" (2.54 cm)	

For recessed bottom cabinet only

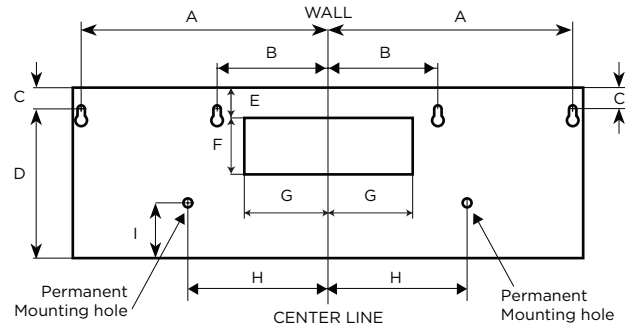
If the cabinets have front, side or back trim, make 2 wood shims the width of the trim and attach them to the cabinet bottom recess on both sides.



Outside rear exhaust

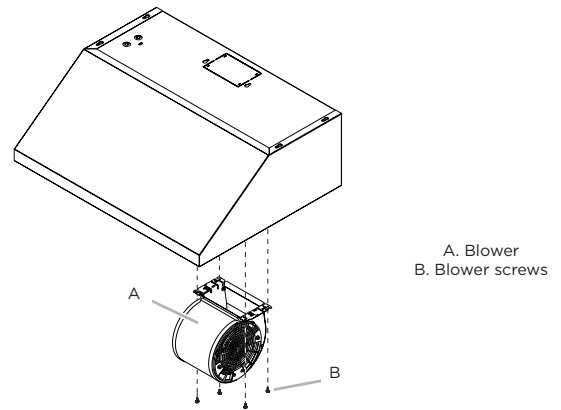
(Horizontal duct- 3/4"x 10" Rectangular)

Use the diagram or the hood as a template and mark the locations on the wall for ductwork, electrical wiring and keyhole screw slots.

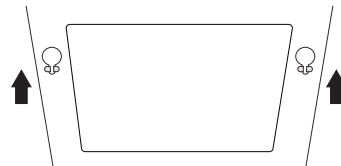


DIM	30" model	36" model	DIM	30" model	36" model
A	13 3/64" (34.5 cm)	16 1/6" (42.4 cm)	F	4 2/64" (11 cm)	
B	6 3/6" (17.4 cm)		G	5 1/2" (14 cm)	
C	3 9/64" (1.5 cm)		H	10 5/8" (27 cm)	
D	9 5/8" (23.8 cm)		I	2 5/64" (7.5 cm)	
E	5/8" (2 cm)				

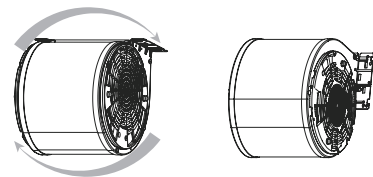
- 1 Remove the grease filters.
- 2 Disconnect the blower blower harness from the hood.
- 3 Remove the blower mounting screws. Put the screws in a safe place in order to use them again.



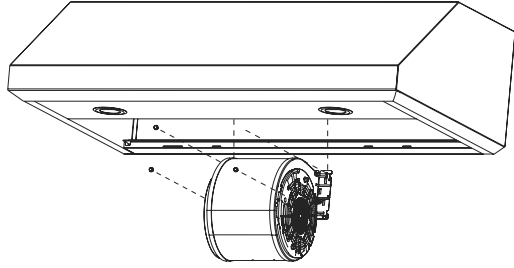
- 4 Set free the two blower springs from the top of the range hood housing.



- 5 Cut the blower harness plastic and extend the wire.
- 6 Flip the blower base to the rear face of the range hood.



- 7 Insert the two blower springs to the top of the range hood housing, secure it with the four mounting screws previously released,

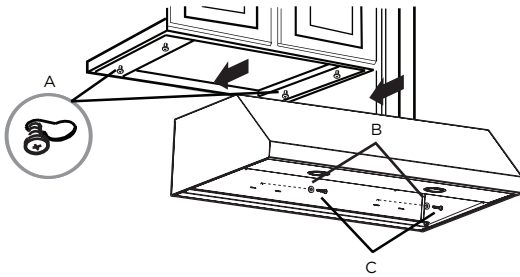


- 8 Connect the blower harness to the hood.

Cabinet Installation

NOTE: Your cabinet must be able to support at least 88 lb (40kg).

- 1 Drive a mounting screw (from the hardware package) partway into each center of the narrow neck of the keyhole slots marked on the cabinet bottom.
- 2 Install the 4 - 4 x 8 mm mounting screws. Leave a 1/4" (6.4 mm) gap between the wall and the back of the screw head to slide range hood into place 1/4" (6.4 mm).
- 3 Fix the wiring conduit of the hood.
- 4 Slide the hood back against the cabinet. Tighten the mounting screws. Be sure the screw heads are in the narrow neck of the keyhole slot.
- 5 Drive 2 pieces of the selected screws in the security holes (See the image below).



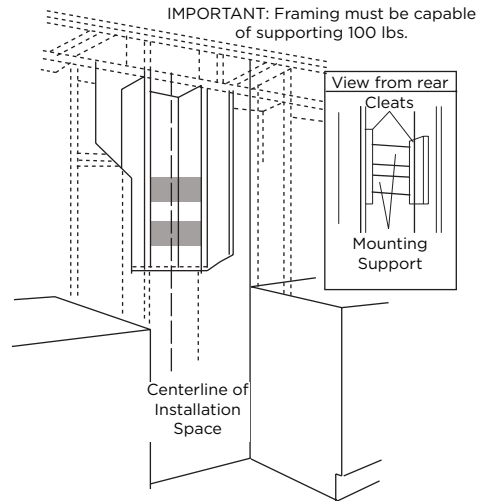
A. 4- 4x8 mm mounting screws
B. Round washers
C. Security screws

Wall Installation

Install framing for hood support

- 1 Mark the screw hole locations indicated in the "Outside rear exhaust" figure.
- 2 If drywall is present, cut away enough drywall to expose 2 vertical studs at the indicated holes location. Install two horizontal supports between two wall studs at the bottom and upper mounting holes installation location.
- 3 The horizontal support must be flush with the room side of the studs. Use cleats behind both sides of the support to secure wall studs.

- 4 Reinstall drywall and refinish.



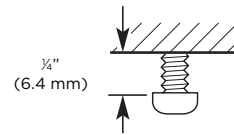
- 5 Cut holes at marked locations for duct and electrical wiring.

Mounting the hood

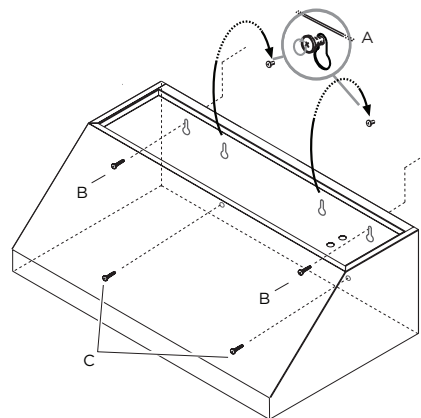
- 1 Drive a mounting screw (from the hardware package) partway into each center of the narrow neck of the keyhole slots marked on the wall's support frame.



- 2 Install the 2 pieces of the selected screws on the mountings screws location (see the image). Leave a 1/4" (6.4 mm) gap between the wall and the back of the screw head to slide range hood into place.



- 3 Fix the wiring conduit of the hood.
- 4 Slide the hood back against the wall. Tighten the mounting screws. Be sure the screw heads are in the narrow neck of the keyhole slot.



A. Mounting screws
B. Upper security screws (Wall Installation)
C. Lower security screws (Wall Installation)

- 5 Drive 2 pieces of the selected screws in the upper security screws location (see the image above).
- 6 Drive 2 pieces of the selected screws in the lower security screws location (see the image above).
- 7 Connect Ductwork to hood.

Electrical connection

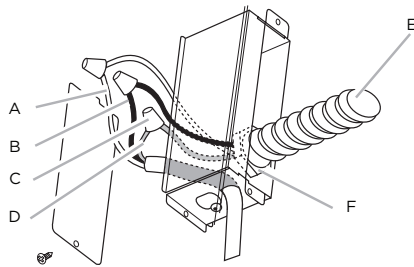
⚠ WARNING

ELECTRICAL SHOCK HAZARD.

⚠ WARNING

DISCONNECT POWER BEFORE SERVICING.
REPLACE ALL PARTS AND PANELS BEFORE OPERATING.
FAILURE TO DO SO CAN RESULT IN DEATH OR ELECTRICAL SHOCK.

- Remove the knockout and the Junction box cover and install the conduit connector (cULus listed) in junction box.



A. White wires
B. Black wires
C. UL listed wire connector

D. Green (or bare) and yellow-green ground wire
E. Home power supply cable
F. UL listed or CSA approved 1/2" strain relief

- Run 3 wires; black, white and green, according to the National Electrical Code and local codes and ordinances, in 1/2" conduit from service panel to junction box.

⚠ WARNING

ELECTRICAL SHOCK HAZARD.

⚠ WARNING

ELECTRICALLY GROUND BLOWER.
CONNECT GROUND WIRE TO GREEN AND YELLOW GROUND WIRE IN TERMINAL BOX. FAILURE TO DO SO CAN RESULT IN DEATH OR ELECTRICAL SHOCK.

- Connect black wire from service panel to black or red in junction box, white to white and green to green-yellow.
- Close and secure junction box cover.

Complete installation

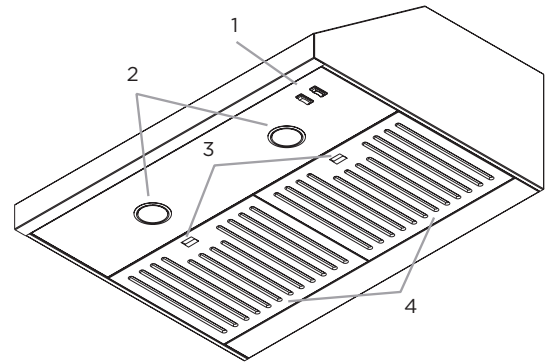
Replace filters.
Check operation of the hood.

If range hood does not operate:

- Check that the circuit breaker is not tripped or the house fuse blown.
- Disconnect power supply. Check that wiring is correct.

To get the most efficient use from your new range hood, read the "Maintenance" section.
Keep your Installation Instructions and Use and Care Guide close to range hood for easy reference.

Description of the hood



1. Blower and light controls
2. LED lamps
3. Grease filter handle
4. Grease filter

Control

The range hood is designed to remove smoke, cooking vapors and odors from the cooktop area. For best results, start the hood before cooking and allow it to operate several minutes after the cooking is complete to clear all smoke and odors from the kitchen.



Fan Low / OFF / Hi



Ligh ON / OFF

LIGHT Control switch

- Set light switch to ON or OFF.

FAN Control switch

- Set fan switch to OFF, LOW or HI speed as needed. Always use the high setting when grilling.

Cleaning

Do not spray cleaners directly to the control while cleaning the Hood. The cooker hood should be cleaned regularly (at least with the same frequency with which you carry out maintenance

of the fat filters) internally and externally. Clean using the cloth dampened with neutral liquid detergent. Do not use abrasive products. Do not use chlorine base cleaners. **DO NOT USE ALCOHOL!**

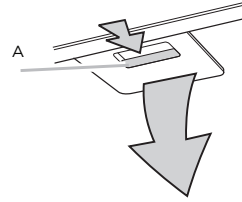
WARNING

Failure to carry out the basic cleaning recommendations of the cooker hood and replacement of the filters may cause fire risks.

Therefore, we recommend observing these instructions. The manufacturer declines all responsibility for any damage to the motor or any fire damage linked to inappropriate maintenance or failure to observe the above safety recommendations.

Aluminum Grease Filter:

- Remove the filter by pulling the spring release handle and then pulling down the filter.



A. Spring release handle

- Wash aluminum grease filters as needed in dishwasher or hot detergent solution.
- Reinstall the filter by making sure the spring release handles are toward the front. Insert aluminum filter into upper track.
- Push in spring release handle.
- Push up on aluminum filter and release handle to latch into place.

Replacing a LED Lamp

The LED lights are replaceable by a service technician only. See the service contact information in this page below.

ELICA North America

TWO-YEAR LIMITED WARRANTY

Register your product in

elica.com

and earn a 3rd year of factory warranty, covering all parts plus in-home labor.

TO OBTAIN SERVICE UNDER WARRANTY

Owner must present proof of original purchase date. Please keep a copy of your dated proof of purchase (sales slip) in order to obtain service under warranty.

PARTS AND SERVICE WARRANTY

For the period of two (2) years from the date of the original purchase, Elica will provide free of charge, non consumable parts or components that failed due to manufacturing defects. During these two (2) years limited warranty, Elica will also provide free of charge, all labor and in-home service to replace any defective parts.

WHAT IS NOT COVERED

- Damage or failure to the product caused by accident or act of God, such as, flood, fire or earthquake.
- Damage or failure caused by modification of the product or use of non-genuine parts.
- Damage or failure to the product caused during delivery, handling or installation.
- Damage or failure to the product caused by operator abuse.
- Damage or failure to the product caused by dwelling fuse replacement or resetting of circuit breakers.
- Damage or failure caused by use of product in a commercial application.
- Service trips to dwelling to provide use or installation guidance.
- Light bulbs, metal or carbon filters and any other consumable part.
- Normal wear of finish.
- Wear to finish due to operator abuse, improper maintenance, use of corrosive or abrasive cleaning products/pads and oven cleaner products.

WHO IS COVERED

This warranty is extended to the original purchaser for products purchased for ordinary residential use in North America (Including the United States, Guam, Puerto Rico, US Virgin Islands & Canada).

This warranty is non-transferable and applies only to the original purchaser and does not extend to subsequent owners of the product. This warranty is made expressly in lieu of all other warranties, expressed or implied, including, but not limited to any implied warranty of merchantability or fitness for a particular purpose and all other obligations on the part of Elica North America, provided, however, that if the disclaimer of implied warranties is ineffective under applicable law, the duration of any implied warranty arising by operation of law shall be limited to two (2) years from the date of original purchase at retail or such longer period as may be required by applicable law.

This warranty does not cover any special, incidental and/or consequential damages, nor loss of profits, suffered by the original purchaser, its customers and/or the users of the Products.

WHO TO CONTACT

To obtain service under warranty or for any service related question:

- Elica North America Service, call at 1 888 732 8018
- For Eastern Canada, call AGI Services at 1 888 651 2534 Ask for the service department
- elica@servicepower.com

Table des matières

Avis de sécurité important	13
Exigences électriques et d'installation	14
Avant d'installer la hotte	14
Dimensions du produit	14
Liste des pièces	15
Pièces fournies	15
Pièces non fournies	15
Méthodes d'évacuation	16
Installation	17
Electrical connection.....	19
Achever l'installation	20
Description de la hotte	20
Commandes	20
Entretien	21
Garantie	22

**APPROUVÉ POUR LES APPAREILS DE TYPE RÉSIDENTIEL
POUR UNE UTILISATION RÉSIDENTIELLE SEULEMENT
LISEZ CES INSTRUCTIONS ET CONSERVEZ-LES**

**VEUILLEZ LIRE CES INSTRUCTIONS AU COMPLET AVANT DE COMMENCER.
L'INSTALLATION DE L'APPAREIL DOIT RESPECTER TOUS LES CODES EN VIGUEUR.**

IMPORTANT : Conservez ces instructions afin de pouvoir les remettre à l'inspecteur-électricien de votre région.

INSTALLATEUR : Veuillez laisser ces instructions avec l'appareil pour le propriétaire.

PROPRIÉTAIRE : Veuillez conserver ces instructions pour pouvoir vous y référer plus tard.

Avertissement de sécurité : Coupez l'alimentation du circuit dans le panneau électrique et verrouillez le panneau avant de raccorder les fils de cet appareil.

Exigence : 120 V c.a., 60 Hz circuit de dérivation de 15 V c.a., 20 Hz, de 15 ou 20 A.

⚠️ AVIS DE SÉCURITÉ IMPORTANT

⚠️ MISE EN GARDE

UTILISER CET APPAREIL À DES FINS DE VENTILATION GÉNÉRALE SEULEMENT. NE PAS UTILISER CET APPAREIL POUR ÉVACUER DES MATÉRIAUX OU DES VAPEURS DANGEREUX OU EXPLOSIFS.

⚠️ ATTENTION

POUR RÉDUIRE LES RISQUES D'INCENDIE, DE CHOC ÉLECTRIQUE ET DE BLESSURE, RESPECTER LES DIRECTIVES SUIVANTES:

- A. Utiliser cet appareil uniquement aux fins prévues par le fabricant. Si vous avez des questions à propos de l'appareil, communiquez avec le fabricant.
- B. Avant de faire l'entretien de l'appareil ou de le nettoyer, coupez l'alimentation dans le panneau électrique et verrouillez le panneau en bloquant le dispositif permettant d'empêcher d'activer l'alimentation accidentellement. S'il n'est pas possible de verrouiller l'accès au panneau, fixez une étiquette très voyante au panneau électrique.
- C. Une personne qualifiée doit effectuer l'installation et le câblage des fils électriques en conformité avec tous les codes et toutes les normes, y compris la cote de résistance au feu.
- D. Il est important de prévoir suffisamment d'air pour assurer une bonne combustion de l'équipement de chauffe et l'évacuation adéquates des gaz par le conduit de cheminé afin de prévenir les refoulements d'air. Respectez les directives et les normes de sécurité des fabricants de l'équipement de chauffage, comme celles publiées par la National Fire Protection Association (NFPA), la American Society for Heating, Refrigeration and Air Conditioning Engineers (ASHRAE) et le code des autorités de votre région.
- E. Au moment de couper ou de percer un mur ou un plafond, assurez-vous de ne pas endommager la filerie électrique ou tout autre accès à un service publique.
- F. Les ventilateurs canalisés doivent toujours être ventilés à l'extérieur.

⚠️ MISE EN GARDE

Pour réduire les risques d'incendie et évacuer l'air correctement, assurez-vous que le conduit mène à l'extérieur; il ne faut pas évacuer l'air dans l'espace entre les murs, dans les plafonds, dans les greniers, les vides sanitaires ou les garages.

⚠️ ATTENTION

POUR RÉDUIRE DES RISQUES D'INCENDIE, UTILISEZ UNIQUEMENT DES CONDUITS EN MÉTAL.

Convient pour une utilisation dans une zone de cuisson domestique.

Installez cette hotte en respectant toutes les exigences mentionnées.

⚠️ ATTENTION

Pour réduire les risques d'incendie et de choc électrique, n'utilisez pas cette hotte avec un contrôleur de vitesse à semi-conducteurs.

⚠️ ATTENTION

POUR RÉDUIRE LES RISQUES D'INCENDIE DE GRAISSE SUR LES CUISINIÈRES.

- a) Ne laissez jamais la cuisinière sans surveillance lorsqu'elle est réglée à une haute température. Les débordements par bouillonnement causent de la fumée et des débordements de gras qui peuvent s'enflammer. Faites chauffer l'huile lentement, à une température basse ou moyenne.
- b) Faites toujours fonctionner la hotte lorsque vous utilisez la cuisinière à une haute température ou que vous faites flamber des aliments (P. ex.: crêpes Suzette, cerises jubilé, boeuf au poivre flambé).
- c) Nettoyez les hélices de ventilation fréquemment. Il ne faut pas que la graisse s'accumule sur les filtres ou les hélices.
- d) Utilisez le bon format de casserole. Utilisez toujours un chaudron de taille approprié à l'élément de la cuisinière.
- e) Convient pour utilisation dans la zone de cuisson domestique.

⚠️ ATTENTION

POUR ÉVITER DE BLESSER QUELQU'UN LORS D'UN INCENDIE DE GRAISSE SUR LA CUISINIÈRE, SUIVRE LES CONSEILS SUIVANTS:^a

- a) ÉTOUFFER LES FLAMMES avec un couvercle aux dimensions de la tôle de cuisson, une tôle à biscuit ou tout autre plateau métallique, puis couper le gaz ou l'alimentation électrique de la cuisinière. FAIRE ATTENTION A NE PAS SE BRÛLER. Si les flammes ne s'éteignent pas immédiatement, QUITTER LA PIÈCE ET APPELER LES POMPIERS.
- b) NE JAMAIS PRENDRE EN MAIN UNE CASSEROLE N FEU, vous pourriez vous blesser.
- c) NE PAS UTILISER D'EAU, y compris les essuies de vaisselle ou les serviettes humides – une violente explosion due à la vapeur formée pourrait survenir.
- d) Utiliser un extincteur SEULEMENT si:
 - 1) Vous êtes sûr d'avoir un extincteur de classe ABC que vous savez utiliser.
 - 2) Le feu est petit et confiné à la zone où il s'est formé.
 - 3) Les pompiers ont été appelés.
 - 4) Vous pouvez lutter contre le feu avec une sortie derrière vous.

a Recommandations tirées des conseils de sécurité en cas d'incendie de cuisine publiés par la NFPA.

⚠️ MISE EN GARDE

Dispositif à fonctionnement automatique - Pour réduire le risque de blessure, débranchez l'alimentation électrique avant l'entretien.

EXIGENCES ÉLECTRIQUES ET D'INSTALLATION

IMPORTANT

Respectez tous les codes et les ordonnances en vigueur.

Le client a la responsabilité de :

- Contacter un électricien-installateur.
- Vérifier que l'installation électrique est adéquate et conforme avec le Code national de l'électricité, ANSI/ NFPA 70 (la plus récente édition*), ou les normes C22.1-94, Code canadien de l'électricité, Partie 1 et C22.2 No.0-M91 (La plus récente édition**) de la CSA, ainsi que tous les codes et les ordonnances de votre région.
- Si le code le permet et que vous utilisez un fil de mise à la terre distinct, il est recommandé de faire vérifier le chemin du fil par un électricien.
- Ne pas mettre l'appareil à la terre sur une conduite de gaz.
- Consultez un électricien qualifié si vous n'êtes pas certain que la hotte est mise à la terre correctement.
- N'installez pas un fusible dans le circuit neutre ou le circuit de mise à la terre.

IMPORTANT

- Conservez ces instructions afin de pouvoir les remettre à l'inspecteur-électricien.
- La hotte doit être câblée uniquement à l'aide de fils de cuivre.
- Il faut raccorder la hotte directement à une boîte à fusible ou à un disjoncteur par l'entremise d'une canalisation électrique en métal.
- Le calibre de fil doit être conforme aux exigences du Code national de l'électricité, ANSI/NFPA 70 (La plus récente édition*), ou les normes C22.1-94, Code canadien de l'électricité, Partie 1 et C22.2 O-M91 (La plus récente édition**) de la CSA, ainsi que tous les codes et les ordonnances de votre région.
- Il faut prévoir un connecteur de canalisation approuvé par l'UL ou la CSA à chaque extrémité de la canalisation d'alimentation (À la hotte et à la boîte de jonction).

AVANT D'INSTALLER LA HOTTE

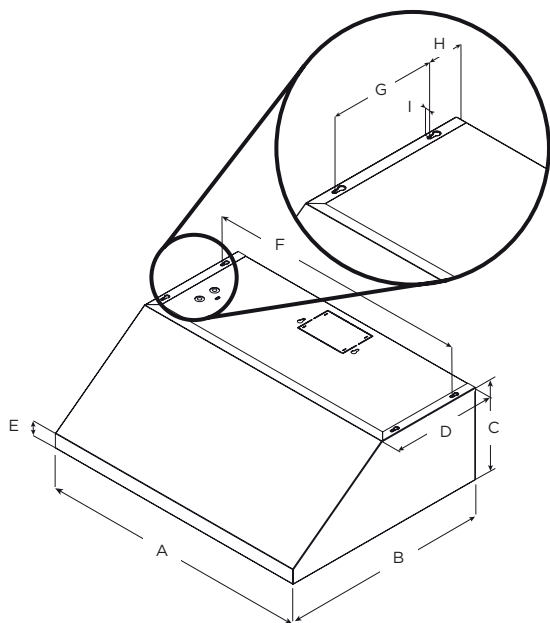
- 1 Pour assurer la ventilation la plus efficace possible, installez la conduite en ligne droite ou avec le moins de coudes possibles.
ATTENTION : La sortie de la conduite de ventilation doit donner sur l'extérieur.
- 2 Deux personnes sont nécessaires pour effectuer l'installation.
- 3 La quincaillerie fournie permet de fixer la hotte à la plupart des murs et des plafonds; consultez un installateur qualifié pour vous assurer que la quincaillerie fournie est adaptée à votre type de mur ou d'armoire.
- 4 N'utilisez pas de conduit flexible.
- 5 Dans le cas des endroits sujets aux TEMPÉRATURES FROIDES, il faut installer un clapet de contre-tirage supplémentaire afin de minimiser le retour d'air froid et un isolant thermique non métallique afin de minimiser la conduction de la température extérieur dans le conduit. Il faut placer le clapet du côté de l'air froid de l'isolant thermique.
L'isolant doit être placé le plus près possible de l'endroit où le conduit entre dans la partie chauffée de la maison.
- 6 Air d'appoint : Le code du bâtiment de votre région peut exiger l'utilisation d'un système d'air d'appoint si vous utilisez un système de ventilation à conduit dont le mouvement d'air dépasse un certain nombre de CFM. Le nombre de pi³/min varie d'une région à l'autre. Consultez un professionnel de CVC pour connaître les exigences précises de votre région.

Vous pouvez obtenir un exemplaire des normes indiquées en vous adressant à :

* La National Fire Protection Association, Batterymarch Park Quincy, Massachusetts, 02269

** La CSA International, 8501 East Pleasant Valley Road, Cleveland, Ohio, 44131-5575

DIMENSIONS DU PRODUIT



	Modèles	
	ESR430S1	ESR436S1
A	30" (76 cm)	36" (91,54 cm)
B	23" (58,4 cm)	
C	10" (25,4 cm)	
D	11 ¹ / ₁₆ " (29,7 cm)	
E	2 ³ / ₁₆ " (5,5cm)	
F	29" (73,3 cm)	35" (88,9 cm)
G	7 ¹ / ₂ " (19 cm)	
H	2 ³ / ₁₆ " (6,5 cm)	
I	3 ⁸ / ₈ " (1 cm)	

LISTE DES PIÈCES

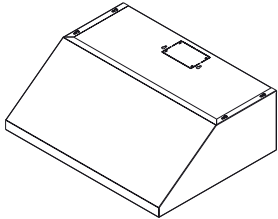
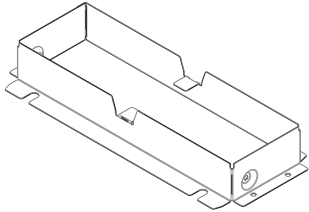

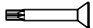

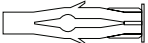




Retirer les pièces de leur emballage.

⚠ ATTENTION

Enlever délicatement le carton, porter des gants pour se protéger des bords coupants.

⚠ AVERTISSEMENT

Enlever le film de protection recouvrant le produit avant de commencer l'opération.

Supplied Part	Pieces	Supplied Part	Pieces
 <p>Assemblage de la hotte et lampes LED déjà installées</p>	1	 <p>Conduit rectangulaire 3/4" x 10" (8,3 x 25,4 cm)</p>	1
 <p>5x45 mm</p>	6	 <p>Adaptateur Torx 20</p>	1
 <p>5,4x75 mm</p>	6	 <p>10x50 mm Ancrages muraux</p>	6
 <p>4,5x13 mm</p>	4	 <p>8x40 mm ancrages muraux</p>	6
 <p>4x8 mm</p>	4	 <p>6.4x18 mm ancrages muraux</p>	2

Pièces non fournies

Outils nécessaires

- Perceuse
- Foret de 1/4" (3,0 cm)
- Foret de 1/8" (3,0 mm) pour avant-trous
- Crayon
- Pince à dénuder ou couteau utilitaire
- Ruban à mesurer ou règle
- Pistolet à calfeutrage et composé de calfeutrage résistant aux intempéries
- Tournevis à lame plate
- Tournevis Philips
- Scie sauteuse ou scie à guichet
- Cisaille de ferblantier

Pièces nécessaires

- Câble d'alimentation domestique
- 1/2" (12.7 mm) Réducteur de tension répertorié UL ou approuvé CSA
- 3 connecteurs de fils homologués ULs

Méthodes d'évacuation

Suivez à la lettre les directives présentées dans ce manuel.

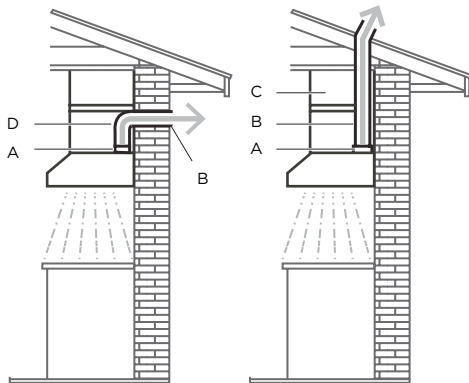
Le fabricant refuse toute responsabilité en ce qui a trait à tout préjudice, dommage ou incendie causé par la non observation des directives contenues dans le présent manuel.

Cette hotte est réglée en usine pour une ventilation à travers le toit (évacuation verticale) ou le mur (évacuation horizontale). Un système de conduit rectangulaire de $3\frac{1}{4}$ " x 10" (8,3 x 25,4 cm) est nécessaire pour l'installation (non inclus). L'ouverture d'échappement de la hotte est $3\frac{1}{4}$ " x 10" (8,3 x 25,4 cm).

REMARQUE: L'évent flexible n'est pas recommandé. Un évent flexible crée une contre-pression et une turbulence de l'air qui réduisent considérablement les performances. Le système de ventilation peut se terminer par le toit ou le mur. Pour évacuer à travers un mur, un coude à 90 ° est nécessaire.

Évacuation verticale

Utiliser un conduit et transition rectangulaires de $3\frac{1}{4}$ " x 10" (8,3 x 25,4 cm).

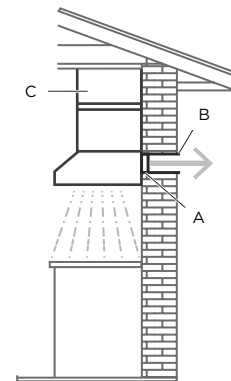


A. Transition de $3\frac{1}{4}$ " x 10" (8,3 x 25,4 cm)
B. Conduit de $3\frac{1}{4}$ " x 10" (8,3 x 25,4 cm)

C. Placard
D. 90° coude

Évacuation horizontale

Utiliser un conduit et transition rectangulaires de $3\frac{1}{4}$ " x 10" (8,3 x 25,4 cm).



A. Transition de $3\frac{1}{4}$ " x 10" (8,3 x 25,4 cm)
B. Conduit de $3\frac{1}{4}$ " x 10" (8,3 x 25,4 cm)
C. Placard

Préparation

Ne coupez pas une solive ou un montant à moins qu'il soit absolument nécessaire de le faire. Si vous devez couper une solive ou un montant, vous devez construire un cadre de soutien. La quincaillerie fournie permet de fixer la hotte à la plupart des murs et des plafonds.

Vous devez cependant demander à un technicien qualifié de vérifier la solidité des matériaux selon le type de mur ou de plafond.

Avant de couper, assurez-vous qu'il y a un dégagement suffisant dans le plafond ou le mur pour passer la conduite de sortie.

⚠ ATTENTION

Pour l'installation des cuisiniers à gaz: Installer cette hotte de sorte que le rebord inférieur est à 30" (76,2 cm) au-dessus de la surface de cuisson.

Pour l'installation des cuisiniers électriques/induction: Installer cette hotte de sorte que le rebord inférieur est pas moins de 24" (61 cm) sur la surface de cuisson.

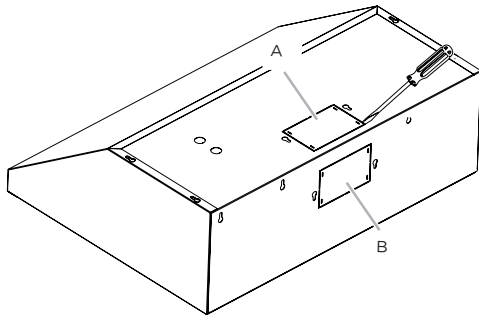
Il est recommandé d'installer cette hotte plus de 36" (91,4 cm) au-dessus de la surface de cuisson. Par pouce (2,54 cm) supérieure à 36 (91,4 cm) diminuera l'efficacité de la capture de la fumée et de l'humidité, et la performance de ventilation.

S'IL VOUS PLAÎT LIRE L'INSTALLATION POUR UNE INSTALLATION SPÉCIFIQUE. Avant de choisir la hotte, vérifiez la hauteur du plafond et la hauteur maximale de la hotte.

Installation- Version à conduit

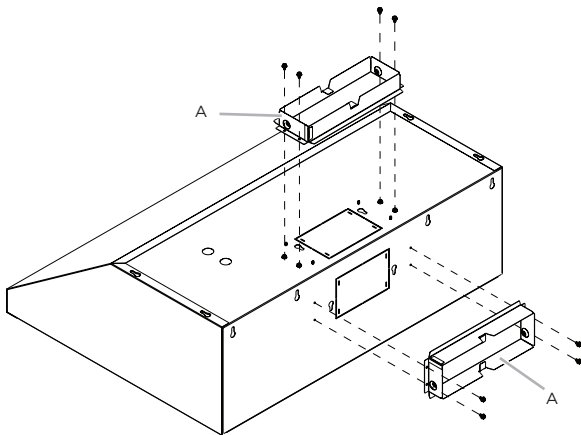
Après avoir choisi le type d'évacuation, procéder comme suit:

- Préparer le conduit et les découpes nécessaires.
- Si possible, débranchez la cuisinière et déplacez la afin d'avoir un meilleur accès au mur arrière. Sinon, placez une couverture épaisse sur le comptoir et la surface de cuisson afin de les protéger des dommages et des saletés. Sélectionnez une surface plane pour assembler l'appareil. Placez une couverture protectrice sur cette surface, puis disposez les pièces de l'auvent de la hotte et la quincaillerie.
- Déterminez et marquez la ligne centrale sur le mur où sera installé l'auvent de la hotte. Déterminez une hauteur confortable pour l'utilisateur et marquez la sur le mur derrière la surface de cuisson.
- Préparer le conduit et les découpes nécessaires.
- Enlever les parties prédécoupées pour les conduits en utilisant un fin tournevis et un petit marteau.
- Utiliser le tournevis à la façon d'un biseau.
- Faire attention aux parties blessants.



A. Décharge vertical
B. Décharge horizontal

- Installer le raccord de transition de la hotte avec 4 vis de 4x8 mm screws.



A. Transition rectangulaire

REMARQUE:

Le raccord de transition peut être installé jusqu'à 2,5 cm (1 inch) de part et d'autre du centre de la hotte pour permettre le décentrage des conduits.

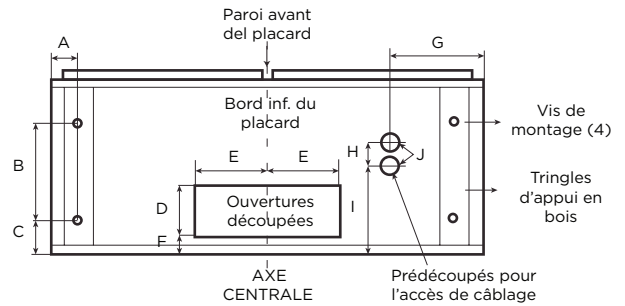
Emplacement des trous

Sélectionner le type d'évacuation choisi pour votre hotte et procéder:

Évacuation extérieure par le dessus de la hotte

(Conduit verticale rectangulaire de 3/4"x 10")

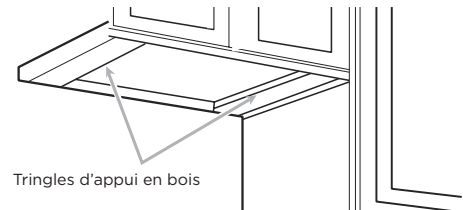
Utiliser le schéma ou la hotte comme patron et indiquer sur l'armoire l'emplacement des conduits, des fils électriques et les fentes réglables pour les vis.



DIM	30" modèle	36" modèle	DIM	30" modèle	36" modèle
A	3/2" (1 cm)		F	5/8" (2 cm)	
B	7 1/2" (19 cm)		G	2 3/4" (7 cm)	
C	2 3/64" (6 cm)		H	1 1/8" (4,7 cm)	
D	4 3/64" (11 cm)		I	5 1/8" (15 cm)	
E	5 1/2" (14 cm)		J	1" (2,54 cm)	

Pour armoires encastrées uniquement

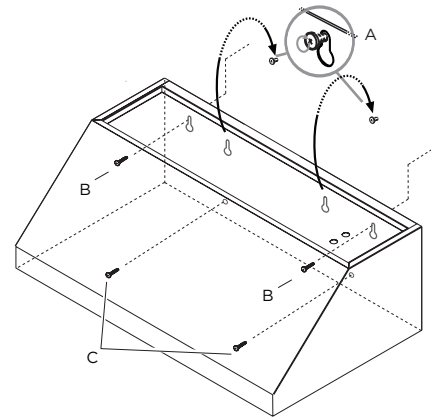
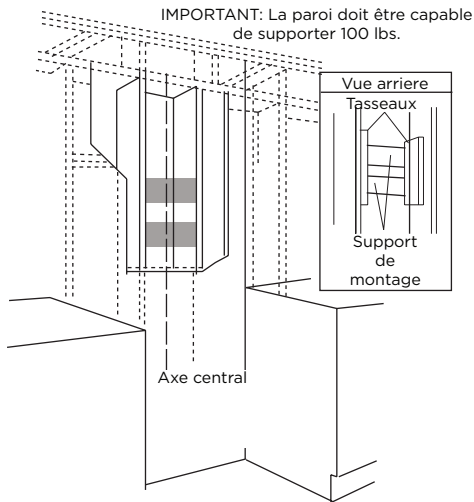
Si les armoires ont une garniture à l'avant, sur le côté ou à l'arrière, réaliser 2 morceaux de bois de la largeur des garnitures et les attacher à l'armoire encastrée sur les 2 côtés.



Installation al mur

Installer la structure de support de la hotte

- 1 Marquez les emplacements des trous de vis indiquées dans la figure "Évacuation extérieure par l'arrière de la hotte".
- 2 Si une paroi est présente, Couper suffisamment de paroi pour placer 2 crampons sur les trous indiqués.
- 3 Installer 2 supports horizontaux entre les deux crampons muraux aux emplacements des trous de montage inférieurs et supérieurs.
- 4 Le support horizontal doit être de niveau avec le côté pièce des crampons. Utiliser des tasseaux de deux côtés du support pour sécuriser aux crampons du mur.
- 5 Remplacer la paroi et faire les finitions.



- A. Vis de montage
- B. Vis supérieures de sécurité (montage mural)
- C. Vis inférieures de sécurité (montage mural)

- 5 Conduisez les 2 vis sélectionnés dans l'emplacement des vis de sécurité supérieure (voir l'image ci-dessus).
- 6 Conduisez les 2 vis sélectionnés et les rondelles dans le trou de sécurité (voir l'image ci-dessus).
- 7 Raccorder les conduits à la hotte.

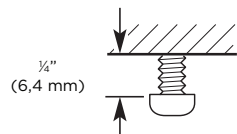
- 6 Réaliser les trous pour les conduits et les fils électriques aux emplacements indiqués.

Placer la hotte

- 1 Soulever la hotte sous le placard ou le cabinet et déterminer sa position d'installation finale en la centrant sous le placard. Sur la face inférieure du placard, marquer l'emplacement des 4 trous de montage sur la hotte.



- 2 Installer les 2 vis de montage dans les avanttrous (voir l'image). Laisser un espace d'environ 1/4" (6,4 cm) entre les têtes des vis et le placard pour faire glisser la hotte et la mettre en place.



- 3 Fixer le conduit de câblage de la hotte.
- 4 Faites glisser le capot arrière contre le mur. Serrer les vis de montage. Assurez-vous que les têtes de vis sont dans le col étroit de la fente de trou de serrure.

Connexion Électrique

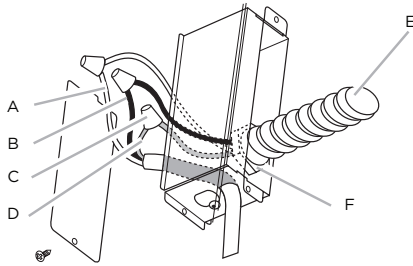
⚠️ AVERTISSEMENT

RISQUE DE CHOC ÉLECTRIQUE.

⚠️ AVERTISSEMENT

DÉCONNECTER LA SOURCE DE COURANT ÉLECTRIQUE AVANT L'ENTRETIEN. REPLACER PIÈCES ET PANNEAUX AVANT DE FAIRE LA REMISE EN MARCHÉ. LE NON-RESPECT DE CES INSTRUCTIONS PEUT CAUSER UN DÉCÈS OU UN CHOC ÉLECTRIQUE.

- Retirez le cache et le couvercle de la boîte de jonction et installez le connecteur de conduit (cULus listé) dans la boîte de jonction.



A. Fils blancs
B. Fils noirs
C. Connecteur de fil homologué UL

D. Vert (ou nu) et fil de terre jaune-vert
E. Câble d'alimentation domestique
F. Décharge de traction 1/2" homologuée UL ou approuvée CSA

- Courez 3 fils; noir, blanc et vert, conformément au code national de l'électricité et aux codes et ordonnances locaux, dans un conduit de 1/2" allant du panneau de service à la boîte de jonction.

⚠️ AVERTISSEMENT

RISQUE DE CHOC ÉLECTRIQUE.

⚠️ AVERTISSEMENT

DÉCONNECTER LA SOURCE DE COURANT ÉLECTRIQUE AVANT L'ENTRETIEN. REPLACER PIÈCES ET PANNEAUX AVANT DE FAIRE LA REMISE EN MARCHÉ. LE NON-RESPECT DE CES INSTRUCTIONS PEUT CAUSER UN DÉCÈS OU UN CHOC ÉLECTRIQUE.

- Connectez le fil noir du panneau de service au noir ou au rouge dans la boîte de jonction, du blanc au blanc et du vert au vert-jaune.
- Fermez et fermez le couvercle de la boîte de jonction.

Achever l'installation

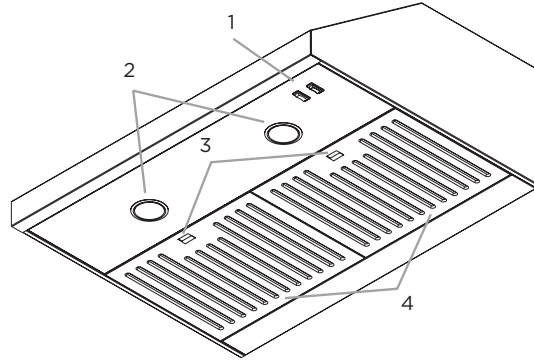
Mettez en place le filtre à graisse.
Vérifier le fonctionnement de la hotte.

Si la hotte ne fonctionne pas:

- Vérifiez que le disjoncteur ne s'est pas déclenché ou que le fusible n'est pas grillé.
- Débranchez l'alimentation. Vérifiez que les raccords électriques ont été effectués correctement.

Pour utiliser votre nouvelle hotte de façon optimale, lisez la section intitulée "Entretien".
Gardez vos instructions d'installations et d'utilisation près de la hotte pour pouvoir vous y référer facilement.

Description de la hotte



1. Commandes du ventilateur et lampes
2. Lampes DEL
3. Poignée du filtre à graisse
4. Filtre à graisse

Commandes

La hotte de cuisinière est conçue pour éliminer la fumée, les vapeurs de cuisson et les odeurs de la table de cuisson. Pour obtenir les meilleurs résultats, démarrez la hotte avant la cuisson et laissez-la fonctionner plusieurs minutes après la fin de la cuisson pour éliminer toute la fumée et les odeurs de la cuisine.



Ventilateur Low / OFF / Hi



Lumière ON / OFF

Commande Lumière

- Régler le commutateur d'éclairage sur ON ou OFF.

Interrupteur de commande de ventilateur

- Régler le commutateur de ventilateur sur OFF, LOW ou HI vitesse au besoin.
Toujours utiliser le réglage élevé lors de la cuisson.

Nettoyage

Ne vaporisez pas de nettoyants directement sur la commande pendant le nettoyage la hotte. La hotte doit être nettoyée régulièrement (à moins avec la même fréquence avec laquelle vous effectuez la maintenance des filtres à graisse) en interne et en externe. Nettoyer en utilisant le chiffon imbibé de détergent liquide neutre. Ne pas utiliser produits abrasifs. N'utilisez pas de nettoyants à base de chlore.
NE PAS UTILISER D'ALCOOL!

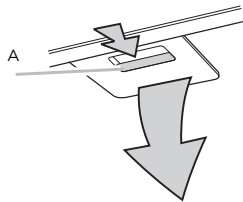
ATTENTION

Omission de suivre les recommandations de base de nettoyage de la hotte et le remplacement des filtres peuvent provoquer un incendie des risques.

Par conséquent, nous vous recommandons de suivre ces instructions. Le fabricant décline toute responsabilité pour tout dommage causé à le moteur ou tout dégât d'incendie lié à un entretien inapproprié ou le non-respect des recommandations de sécurité ci-dessus.

Filtre à graisse en aluminium:

- Retirez le filtre en tirant sur la poignée de relâchement du ressort et puis en tirant le filtre..



A. Spring release handle

- Retirez le filtre en tirant sur la poignée de relâchement du ressort et puis en tirant le filtre.
- Lavez les filtres à graisse en aluminium au besoin dans un lave-vaisselle ou une solution de détergent chaud.
- Réinstallez le filtre en vous assurant que les poignées de dégagement du ressort sont tournées vers l'avant. Insérer le filtre en aluminium dans le rail supérieur.
- Enfoncer la poignée de relâchement du ressort.
- Poussez sur le filtre en aluminium et relâchez la poignée pour la verrouiller en place.

Remplacement d'une lampe à LED:

Les lampes à LED sont remplaçables par un technicien de service seulement.

Consultez les informations de contact du service dans cette page ci-dessous.

POUR OBTENIR UN DEPANNAGE SOUS GARANTIE

Le propriétaire doit présenter une preuve de la date d'achat. Garder une copie de votre preuve d'achat datée (ticket de caisse) de façon à pouvoir bénéficier du service après-vente sous garantie.

GARANTIE PIÈCES DE RECHANGE ET MAIN D'OEUVRE

Pendant une période de deux (2) ans à partir de la date d'achat, Elica s'engage à fournir gratuitement les pièces de rechange ou les composants autres que les recharges ayant des défauts de fabrication.

Durant cette garantie de deux (2) ans, Elica fournira également gratuitement, toute la main d'oeuvre et le service à domicile pour remplacer d'éventuelles pièces défectueuses.

CE QUE LA GARANTIE NE COUVRE PAS

- Dégât ou panne du produit causé par un accident ou un cas de force majeure tels que inondation, incendie ou tremblement de terre.
- Dégât ou panne du produit causé par modification du produit ou utilisation de pièces pas d'origine.
- Dégât ou panne du produit causé lors de la livraison, de la manipulation ou de l'installation.
- Dégât ou panne du produit causé par une mauvaise utilisation.
- Dégât ou panne du produit causé par un remplacement des fusibles ou une remise en fonction des disjoncteurs par le propriétaire.
- Dégât ou panne du produit causé par une utilisation du produit pour raison commerciale.
- Déplacement à domicile pour explication d'utilisation ou d'entretien.
- Ampoules, filtres métalliques ou au charbon et toute autre pièce consommable.
- Usure normale.
- Usure due à une mauvaise utilisation du propriétaire, un entretien incorrect, une utilisation de substances nettoyantes corrosives ou abrasives et produits de nettoyage pour four.

QUI EST COUVERT

Cette garantie s'étend à l'acheteur original de produits achetés pour un usage domestique habituel en Amérique du Nord (Y compris Etats Unis, Guam, Porto Rico, les Iles virgins Américaines & le Canada).

Cette garantie n'est pas transférable et vaut uniquement pour l'acheteur original et ne s'étend pas aux propriétaires successifs du produit. Cette garantie vaut expressément en lieu et place de toute autre garantie, expresse ou sous-entendue, mais ne limite pas toute autre garantie sous-entendue de marchandage ou adaptation dans un but particulier et toute autre obligation de la part de Elica North America, étant entendu, cependant, que si la réclamation pour garanties sous-entendues n'est pas applicable aux yeux de la loi en vigueur, la durée de toute garantie sous-entendue émanant de la loi doit être limitée à deux (2) ans à partir de la date d'achat du produit ou à une période plus longue selon ce que dit la loi en vigueur.

Cette garantie ne couvre pas tout dégât particulier, accidentel et/ou consécutif, ni les pertes et profits, à charge du propriétaire, des ses clients et/ou des utilisateurs Des produits.

QUI CONTACTER

Pour obtenir un Service Après-vente durant la Garantie ou pour toute autre Question liée au Service Après-vente:

Appeler:

- Service Après-vente autorisé Elica North America au (888) 732-8018
- Pour l'Est du Canada, composez le 1-888 651 2534 *Demandez le service après-vente*

Contenido

Aviso de seguridad importante	24
Requisitos eléctricos y de instalación	25
Antes de instalar la campana	25
Dimensiones del producto	25
Lista de materiales	26
Piezas suministradas	26
Piezas no suministradas	26
Métodos de ventilación	27
Instalación	28
Conexión eléctrica	30
Complete la instalación	30
Descripción de la campana	30
Control	31
Mantenimiento	31
Garantía	32

**APROBADO PARA APARATOS DE USO DOMÉSTICO
SÓLO PARA USO DOMÉSTICO
LEA Y GUARDE ESTAS INSTRUCCIONES**

**ANTES DE CONTINUAR, LEA LAS INSTRUCCIONES POR COMPLETO.
LA INSTALACIÓN DEBE CUMPLIR TODA LA NORMATIVA LOCAL.**

IMPORTANTE: Guarde estas instrucciones para su uso por parte del inspector de electricidad local.

INSTALADOR: Entregue al propietario estas instrucciones junto con la unidad.

PROPIETARIO: Conserve estas instrucciones para futuras consultas.

Advertencia de seguridad: Antes de realizar el cableado de este aparato, desactive el circuito de energía eléctrica en el panel de servicio y desbloquee el panel.

Requisito: Circuito auxiliar de 120 V AC, 60 Hz. 15 ó 20 A.

⚠️ AVISO DE SEGURIDAD IMPORTANTE

⚠️ PRECAUCIÓN

SÓLO PARA USO DE VENTILACIÓN GENERAL. NO UTILIZAR PARA EXPULSAR VAPORES O MATERIALES PELIGROSOS O EXPLOSIVOS.

⚠️ ADVERTENCIA

PARA REDUCIR EL RIESGO DE FUEGO, DESCARGA ELÉCTRICA O LESIONES PERSONALES, RESPETE LO SIGUIENTE:

- A. Utilice esta unidad solamente en el modo que indica el fabricante. En caso de duda, póngase en contacto con el fabricante.
- B. Antes de reparar o limpiar la unidad, desconecte la alimentación en el panel de servicio y bloquee los medios de desconexión del panel de servicio para evitar la conexión accidental de la alimentación. Si no es posible bloquear los medios de desconexión del panel de servicio, coloque un dispositivo de advertencia que destaque como, por ejemplo, una etiqueta, en el panel de servicio.
- C. La instalación y el cableado eléctrico deben realizarlos personas cualificadas de acuerdo con las normativas y los estándares aplicables, incluida la construcción ignífuga.
- D. Es necesaria una ventilación suficiente para la correcta combustión y expulsión de gases por la salida de humos (Chimenea) del equipo de combustión de carburante para evitar el contratiempo. Siga las directrices de fabricantes de equipos de calefacción y los estándares de seguridad como los publicados por la National Fire Protection Association (NFPA), American Society for Heating, Refrigeration and Air Conditioning Engineers (ASHRAE) y las normativas locales.
- E. Al efectuar orificios en una pared o techo, no dañe el cableado eléctrico y otras instalaciones ocultas.
- F. Los sistemas instalados mediante conducto deben tener ventilación con salida al exterior.

⚠️ PRECAUCIÓN

Para reducir el riesgo de fuego y conseguir una salida del aire correcta, asegúrese de conducir el aire hacia el exterior. No permita que el aire se expulse en espacios situados en el interior de muros, techos, desvanes, sótanos de pequeña altura o garajes.

⚠️ ADVERTENCIA

PARA REDUCIR EL RIESGO DE FUEGO, UTILICE SOLAMENTE TUBOS METÁLICOS.

Adecuado para su uso en un área de cocina doméstica. Instale esta campana de acuerdo con los requisitos especificados.

⚠️ ADVERTENCIA

Para reducir el riesgo de fuego o descarga eléctrica, no utilice esta campana con ningún dispositivo externo en estado sólido para el control de la velocidad.

⚠️ ADVERTENCIA

PARA REDUCIR EL RIESGO DE INCENDIO OCASIONADO POR GRASA:

- a) No deje nunca ninguna unidad externa desatendida y con valores de fuego altos. La cocción puede causar humo o reboses de grasa que pueden prender fuego. Caliente el aceite a fuego lento o medio.
- b) Encienda siempre la campana cuando cocine a una temperatura alta o cuando realice flameados (por ejemplo, Crepas Suzette, cerezas flameadas, ternera a la pimienta flameada).
- c) Limpie con frecuencia los ventiladores. No permita que la grasa se acumule en el ventilador o filtro.
- d) Utilice un tamaño de sartén adecuado. Utilice siempre piezas de batería de cocina adecuadas al tamaño del elemento de superficie.
- e) Apto para usarse en el área de la cocina doméstica.

⚠️ ADVERTENCIA

PARA REDUCIR EL RIESGO DE LESIONES PERSONALES, EN CASO DE FUEGO OCASIONADO POR GRASA, TENGA EN CUENTA LO SIGUIENTE:^a

- a) EXTINGA LAS LLAMAS con una tapa ajustada, una lámina para hacer galletas u otro tipo de bandeja metálica y apague el quemador de gas o elemento eléctrico. TENGA CUIDADO PARA EVITAR QUEMADURAS. Si las llamas no se extinguen inmediatamente, DESALOJE EL LUGAR Y LLAME A LOS BOMBEROS.
- b) NUNCA TOME UNA SARTÉN EN LLAMAS, podría sufrir quemaduras.
- c) NO UTILICE AGUA, incluidas bayetas o toallas húmedas ya que se produciría una violenta explosión de vapor.
- d) Utilice un extintor SÓLO si:
 - 1) Sabe que dispone de un extintor de la clase ABC y conoce su funcionamiento.
 - 2) El fuego es pequeño y se encuentra en la misma zona donde se inició.
 - 3) Ha llamado a los bomberos.
 - 4) Puede luchar contra el fuego teniendo una salida a su espalda.

^aBasado en "Consejos de seguridad para fuegos de cocina" publicado por NFPA.

FUNCIONAMIENTO

Coloque siempre las rejillas y los filtros de seguridad en su lugar correspondiente. Sin estos componentes, los ventiladores en funcionamiento podrían atrapar su pelo, sus dedos o su ropa.

El fabricante declina toda responsabilidad en caso de fallo de cumplimiento de las instrucciones aquí facilitadas para la instalación, el mantenimiento y el uso adecuado del producto. El fabricante declina además toda responsabilidad por daños ocasionados por negligencia y la garantía de la unidad queda cancelada automáticamente como consecuencia de un mantenimiento incorrecto.

⚠️ PRECAUCIÓN

Equipo operado automáticamente - para reducir el riesgo de lastimarse desconecte de la línea antes de dar servicio.

REQUISITOS ELÉCTRICOS Y DE INSTALACIÓN

IMPORTANTE

Cumpla todas las normativas y ordenanzas gubernamentales. Es responsabilidad del cliente:

- Ponerse en contacto con un instalador eléctrico cualificado.
- Asegurarse de que la instalación eléctrica es adecuada y en conformidad con National Electrical Code, ANSI/NFPA 70 (última edición*) o CSA Standards C22.1-94, Canadian Electrical Code, Parte 1 y C22.2 No.0-M91 (última edición*) y toda la normativa y las ordenanzas locales.
- Si la normativa lo permite y se utiliza un cable de toma a tierra independiente, se recomienda que un electricista cualificado determine si la difracción de onda de tierra es la adecuada.
- No ubique la toma a tierra en una tubería de gas.
- Si no está seguro de que la campana está correctamente conectada a tierra, consulte a un electricista cualificado.
- No coloque ningún fusible en el circuito neutral o con vuelta por tierra.

IMPORTANTE

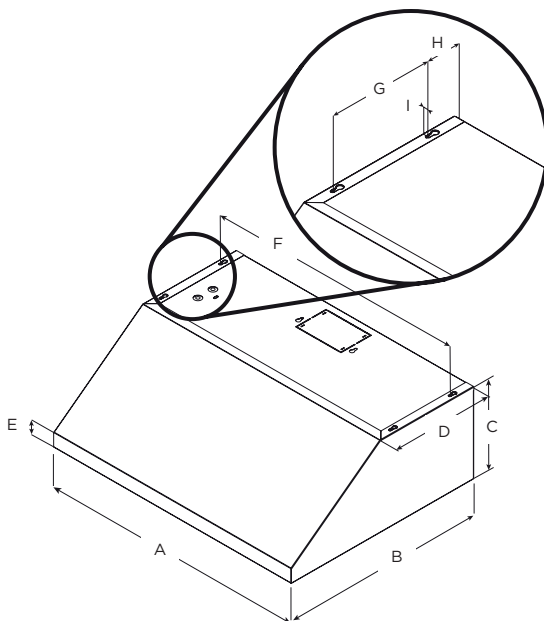
- Guarde las instrucciones de instalación para su uso por parte del inspector de electricidad.
- La campana debe estar conectada únicamente con hilo de cobre.
- La campana debe estar conectada directamente al desconectador con fusible (o disyuntor) mediante canal metálico de cables eléctricos.
- Los tamaños de cable deben cumplir los requisitos de la National Electrical Code, ANSI/NFPA 70 (última edición*) o CSA Standards C22.1-94, Canadian Electrical Code, Parte 1 y C22.2 No.0-M91 (última edición*) y toda la normativa y las ordenanzas locales.
- Es preciso colocar un conector de canal de cables enumerado en U.L. o C.S.A. en cada extremo del canal de cables de fuente de alimentación (en la campana y en la caja de conexiones).

ANTES DE INSTALAR LA CAMPANA

- 1 Para obtener una circulación del flujo de aire más eficaz, utilice un tubo de tramo recto o el menor número posible de tubos acodados.
PRECAUCIÓN: el conducto de ventilación solamente debe tener salida hacia la parte exterior del edificio.
- 2 Para realizar la instalación, se necesitan al menos dos personas.
- 3 La campana se ajusta mediante material adecuados para la mayoría de superficies; consulte a un instalador cualificado para comprobar si quedan perfectamente ajustados al armario o a la pared.
No emplee tubos flexibles.
- 4 Las instalaciones en **CONDICIONES CLIMÁTICAS FRÍAS** deben tener instalado un regulador de contratiro adicional para minimizar el flujo de aire inverso y una rotura térmica no metálica para minimizar la conducción de temperaturas externas como parte de los tubos. El regulador debe encontrarse en la parte de aire frío de la rotura térmica. La rotura debe estar lo más cerca posible al lugar donde los tubos entran en la parte caliente de la casa.
- 5 Aire limpio: Las normativas locales para edificios pueden requerir el uso de sistemas de aire limpio cuando se utilizan sistemas de ventilación mediante tubos superiores al CFM especificado de movimiento de aire.
- 6 El CFM especificado varía de una zona a otra. Para conocer los requisitos específicos de su zona, consulte a un profesional de HVAC.

Se pueden obtener copias de los estándares enumerados en:
 * National Fire Protection Association Batterymarch Park Quincy, Massachusetts 02269
 ** CSA International 8501 East Pleasant Valley Road Cleveland, Ohio 44131-5575

DIMENSIONES DEL PRODUCTO



	Modelos	
	ESR430S1	ESR436S1
A	30" (76 cm)	36" (91.54 cm)
B	23" (58.4 cm)	
C	11 ¹ / ₂ " (27.9 cm)	
D	11 ¹ / ₁₆ " (29.7 cm)	
E	2 ¹ / ₃₂ " (6.6 cm)	
F	29" (73.3 cm)	35" (88.9 cm)
G	7 ¹ / ₂ " (19 cm)	
H	2 ⁹ / ₁₆ " (6.5 cm)	
I	3 ⁸ / ₁₆ " (1 cm)	

LISTA DE MATERIALES

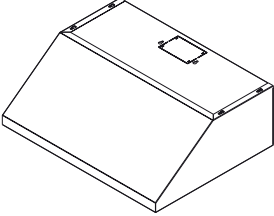
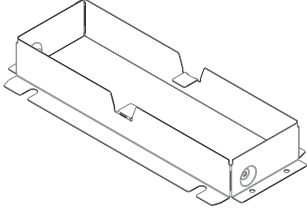

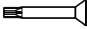

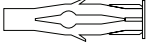




Remoción de la confección

⚠ PRECAUCIÓN

Quite la caja cuidadosamente, use guantes para protegerse contra los bordes afilados.

⚠ ADVERTENCIA

Quite la película de protección que cubre el producto antes de ponerlo en funcionamiento.

Piezas suministradas	Piezas	Piezas suministradas	Piezas
 <p>Ensamble de campana</p>	1	 <p>Transición rectangular 3¼" x 10" (8.3 x 25.4 cm)</p>	1
 <p>5x45 mm</p>	6	 <p>Adaptador Torx 20</p>	1
 <p>5.4x75 mm</p>	6	 <p>Taquetes 10x50 mm</p>	6
 <p>4.5x13 mm</p>	4	 <p>Taquetes 8x40 mm</p>	6
 <p>4x8 mm</p>	4	 <p>Rondanas 6.4x18 mm</p>	2
Piezas no suministradas			

Herramientas necesarias

- Nivel
- Taladro con brocas de 1¼" (3.0 cm), ½" (3.0 mm), ⅜" (4.8 mm)
- Lápiz
- Pela cables o cuchillo
- Cinta métrica o regla
- Pinzas
- Pistola para calafateo y masilla para calafateo a prueba de agua.
- Abrazaderas para ducto de ventilación.
- Sierra de vaivén o sierra caladora
- Tijeras de metal
- Destornillador de hoja plana

Piezas necesarias

- Cable de suministro eléctrico doméstico
- Protector de cables de ½" (12.7 mm) que esté en la lista de UL o aprobado por CSA.
- 3 conectores para cables que estén en la lista de UL

Métodos de ventilación

Siga detenidamente las instrucciones expuestas en este manual.

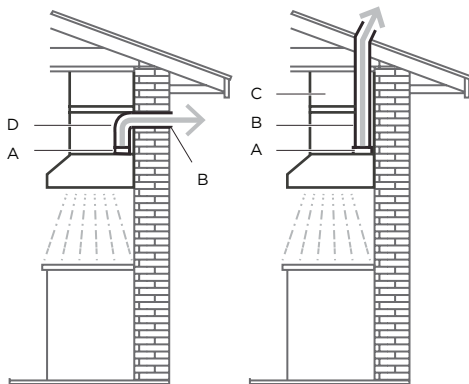
Se declina toda responsabilidad de cualquier inconveniencia, daños o incendios eventuales ocasionados por el incumplimiento de las instrucciones de este manual.

Esta campana viene ajustada de fábrica para ventilación a través del techo (descarga vertical) o pared (descarga horizontal). Se necesita un sistema de conductos rectangulares de $3\frac{1}{4}$ " x 10" (8.3 x 25.4 cm) para la instalación (no incluido). La abertura del escape del capó es de $3\frac{1}{4}$ " x 10" (8.3 x 25.4 cm).

NOTA: No se recomienda la ventilación flexible. La ventilación flexible crea contrapresión y turbulencia del aire que reduce en gran medida el rendimiento. El sistema de ventilación puede terminar a través del techo o la pared. Para ventilar a través de una pared, se necesita un codo de 90°.

Descarga vertical

Usar un ducto rectangular de $3\frac{1}{4}$ " x 10" (8.3 x 25.4 cm) y una transición rectangular de $3\frac{1}{4}$ " x 10" (8.3 x 25.4 cm) para descargar gases y vapor procedentes de la cocina al exterior.

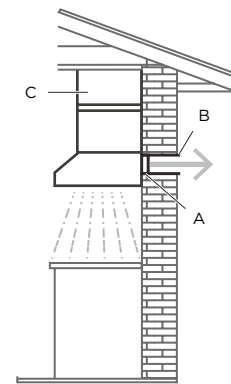


A. Transición rectangular de $3\frac{1}{4}$ " x 10"
(8.3 x 25.4 cm)
B. Ducto de $3\frac{1}{4}$ " x 10" (8.3 x 25.4 cm)

C. Gabinete
D. Codo de 90°

Descarga horizontal

Usar un ducto rectangular de $3\frac{1}{4}$ " x 10" (8.3 x 25.4 cm) y una transición rectangular de $3\frac{1}{4}$ " x 10" (8.3 x 25.4 cm) para descargar gases y vapor procedentes de la cocina al exterior.



A. Transición rectangular de $3\frac{1}{4}$ " x 10" (8.3 x 25.4 cm)
B. Ducto de $3\frac{1}{4}$ " x 10" (8.3 x 25.4 cm)
C. Gabinete

Preparación

No corte una vigueta o un perno a menos que sea absolutamente necesario. Si fuera necesario efectuar el corte, deberá construirse un marco de soporte.

Se suministra el material de ajuste necesario para fijar la campana a la mayoría de tipos de muro o techo.

No obstante, un técnico cualificado debe comprobar la idoneidad de los materiales de acuerdo con el tipo de muro o techo.

Antes de efectuar algún corte, asegúrese de que existe el espacio libre adecuado en el techo o muro para la expulsión del aire.

⚠ PRECAUCIÓN

Para la instalación de estufas de gas: instale esta campana de tal manera que la cornisa inferior se encuentre a 30" (76.2 cm) sobre la superficie de cocción.

Para la instalación de estufas eléctricas/inducción: instale esta campana de tal manera que la cornisa inferior se encuentre a no menos de 24" (61 cm) sobre la superficie de cocción.

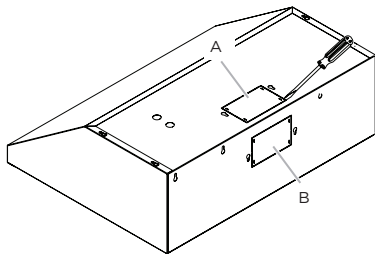
No hay una altura máxima de instalación, sin embargo, se recomienda no instalar esta campana a más de 36" (91.4 cm) sobre la superficie de cocción. Por cada pulgada (2.54 cm) superior a 36" (91.4 cm), disminuirá la eficiencia en la captura de humo y humedad, así como el desempeño de ventilación. Para uso electrodoméstico.

POR FAVOR, LEA EL MANUAL DE INSTALACIÓN PARA UNA INSTALACIÓN ESPECÍFICA. Antes de seleccionar la campana, compruebe la altura del techo y la altura máxima de la campana.

Instalación- Version con ductos

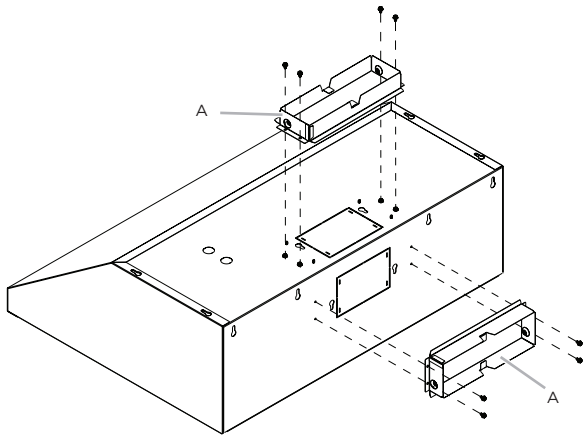
Después de haber escogido la opción de descarga, proceder como sigue:

- Prepare el ducto y los cortes necesarios.
- Si es posible, desconecte y mueva individualmente o deslice la estufa desde la apertura del gabinete para permitir un acceso fácil al muro posterior. De lo contrario, coloque una cubierta protectora gruesa sobre la encimera o la cocina para protegerla de daños o suciedad. Seleccione una superficie plana para montar la unidad. Coloque una cubierta protectora sobre la superficie y coloque en ella todas las piezas de la carcasa de la campana, tornillos y elementos metálicos.
- Determine y marque la línea central en el muro donde se instalará la carcasa de la campana.
- Seleccione una altura de montaje comfortable para el usuario y realice una marca en el muro situado detrás de la estufa.
- Preparar los cortes de los conductos y de los tubos, así como es requerido.
- Quitar los precortes del conducto usando un destornillador plano y un martillo pequeño.
- Dé unos pequeños golpes para remover la cubierta, utilizando el martillo y destornillador de forma similar a la que se hace con un cincel.
- Ponga atención a los filos cortantes.



A. Salida superior
B. Salida posterior

- Fijar la transición rectangular sobre la apertura del precorte con 4 tornillos de 4x8 mm.



A. Transición rectangular

NOTA:

La transición se puede colocar hasta 1" del centro de la campana para acomodarse a instalaciones descentradas. En instalaciones extremadamente descentradas, un lado de la transición deberá ser recortada para evitar interferencias con la abrazadera del cable.

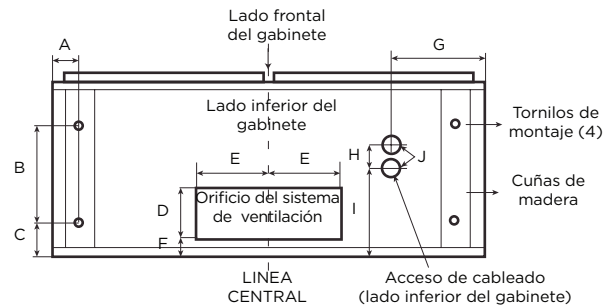
Marcar los orificios

Seleccionar la opción de descarga que requiere su instalación y proceder a esa sección:

Extracción superior al exterior

(Conducto vertical- 3/4" x 10" Rectangular)

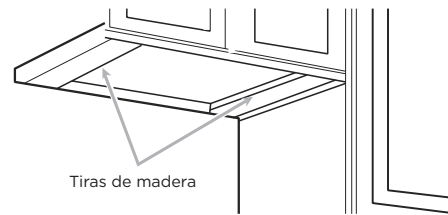
Usar el diagrama o la campana como plantilla y marque en el gabinete la ubicación del ducto, cableado eléctrico y puntos de sujeción. Se recomienda realizar las marcas antes de instalar el gabinete.



DIM	30" modelo	36" modelo	DIM	30" modelo	36" modelo
A	3/32" (1 cm)		F	5/8" (2 cm)	
B	7 1/2" (19 cm)		G	2 3/4" (7 cm)	
C	2 3/64" (6 cm)		H	1 1/8" (4.7 cm)	
D	4 3/64" (11 cm)		I	5 7/8" (15 cm)	
E	5 1/2" (14 cm)		J	1" (2.54 cm)	

Sólo para gabinetes huecos:

Si los gabinetes tienen perfiles frontales, laterales o posteriores, hacer 2 soportes de madera con el ancho del perfil y ensámblelos a ambos lados de la parte inferior del gabinete.

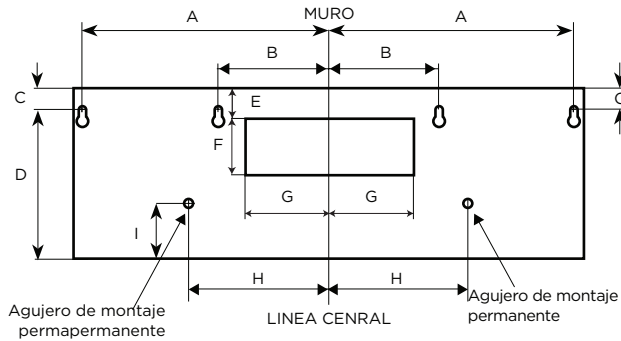


Tiras de madera

Extracción posterior al exterior

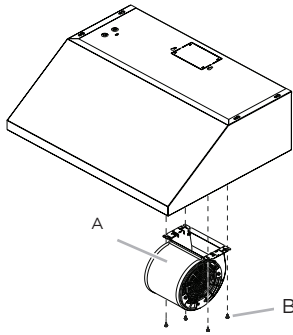
(Conducto Horizontal- 3¼" x 10" Rectangular)

Usar el diagrama o la campana como plantilla y marque en el gabinete la ubicación del ducto, cableado eléctrico y puntos de sujeción.



DIM	30" modelo	36" modelo	DIM	30" modelo	36" modelo
A	13¾" (34.5 cm)	16½" (42.4 cm)	F	4¾" (11 cm)	
B	6½" (17.4 cm)		G	5½" (14 cm)	
C	¾" (1.5 cm)		H	10½" (27 cm)	
D	9½" (23.8 cm)		I	2¾" (7.5 cm)	
E	¾" (2 cm)				

- 1 Retire los filtros de grasa.
- 2 Desconecte el arnés del motor de la campana.
- 3 Retire los tornillos de montaje del motor. Coloque los tornillos en un lugar seguro para poder usarlos nuevamente.

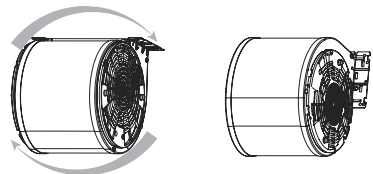


A. Motor
B. Tornillos de motor

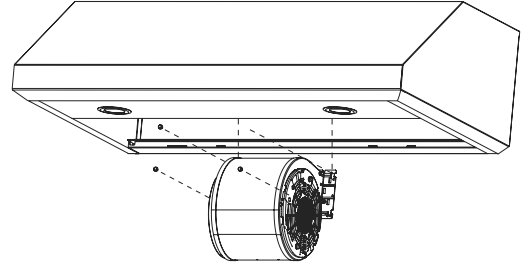
- 4 Libere los dos clips de sujeción del motor de la parte superior de la campana.



- 5 Voltee la base del motor a la cara posterior de la campana.
- 6 Gire la base del motor hacia la parte posterior de la campana extractora.



- 7 Inserte los dos clips de sujeción del motor a la parte posterior de la campana. Asegure el motor con los 4 tornillos previamente retirados.

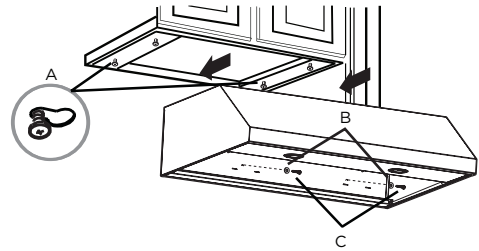


- 8 Conecte el arnés del motor a la campana.

Instalación de gabinete

NOTA: Su gabinete debe ser capaz de soportar al menos 88 lb (40 kg).

- 1 Inserte un tornillo de instalación (del paquete de partes suministradas) al centro de la parte angosta de los orificios de instalación marcados en la parte baja del gabinete o la pared.
- 2 Instale 4 tornillos de instalación de 4 x 8 mm. Deje la cabeza del tornillo despegada aproximadamente ¼" (6.4 mm) de la base para deslizar la campana en su lugar.
- 3 Fijar el conducto de cableado de la campana.
- 4 Deslice la parte trasera de la campana contra el gabinete. Ajuste los tornillos de montaje. Asegúrese de que las cabezas de los tornillos estén en la parte angosta de los orificios de instalación.
- 5 Ajuste 2 de los tornillos seleccionados en los orificios de seguridad (vea la imagen de abajo).



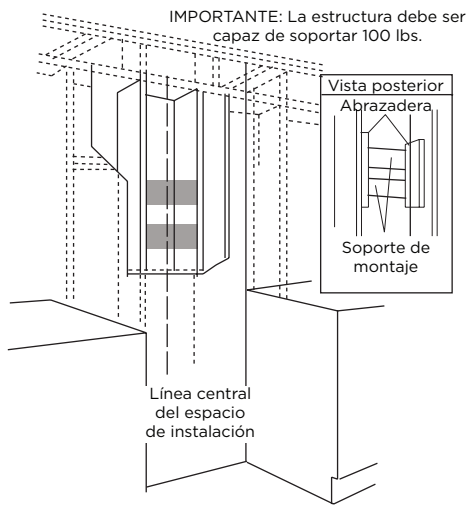
A. 4 tornillos de montaje - 4x8 mm
B. Rondanas
C. Tornillos de seguridad

Instalación a la pared

Instalación de la estructura de soporte para la campana

- 1 Marque las ubicaciones de los orificios de los tornillos indicados en la figura de "Extracción posterior al exterior" figure.
- 2 Si se cuenta con pared falsa (cartón yeso), remueva (corte) lo suficiente de pared para posicionar 2 postes verticales en la ubicación de los agujeros referenciados en el punto anterior con ayuda de la plantilla. Instale dos soportes horizontales entre dos postes de la pared, en donde deberán ir posicionados los agujeros inferiores y superiores.
- 3 El soporte horizontal debe ser nivelado con el lado de la habitación con los postes de la pared. Use grapas detrás de ambos lados del soporte para asegurar los tabiques.

- Reinstale la pared falsa (cartón yeso), resane y termine.



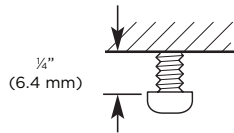
- Cortar los orificios en los lugares marcados para conductos y cableado eléctrico.

Montando la campana

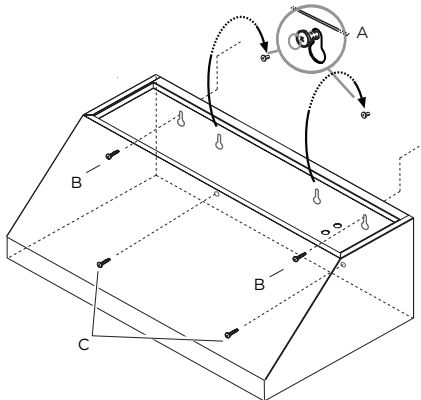
- Inserte un tornillo de instalación (del paquete de partes suministradas) al centro de la parte angosta de los orificios de instalación marcados en la parte baja del gabinete o la pared.



- Instale las 2 piezas de acuerdo a los tornillos seleccionados sobre la ubicación de los tornillos de montaje (Vea imagen). Deje la cabeza del tornillo despegada aproximadamente $\frac{1}{4}$ " (6.4 mm) de la base para deslizar la campana en su lugar.



- Fijar el conducto de cableado de la campana.
- Deslice la parte trasera de la campana contra el gabinete. Ajuste los tornillos de montaje. Asegúrese de que las cabezas de los tornillos estén en la parte angosta de los orificios de instalación.



- A. Tornillos de montaje
 B. Tornillos de seguridad superiores (Instalación de pared)
 C. Tornillos de seguridad inferiores (Instalación de pared)

- Ajuste 2 de los tornillos seleccionados en la ubicación de los tornillos de seguridad superiores (vea la imagen de arriba).
- Ajuste 2 de los tornillos seleccionados en la ubicación de los tornillos de seguridad inferiores (vea la imagen de arriba).
- Una el tubo a la campana.

Conexión eléctrica

⚠ ADVERTENCIA

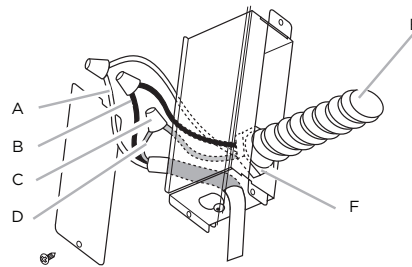
PELIGRO DESCARGA ELÉCTRICA

⚠ ADVERTENCIA

DESCONECTE EL SUMINISTRO DE ENERGÍA ANTES DE DARLE MANTENIMIENTO.

VUELVA A COLOCAR TODOS LOS COMPONENTES Y PANELES ANTES DE HACERLO FUNCIONAR. NO SEGUIR ESTAS INSTRUCCIONES PUEDE OCASIONAR LA MUERTE O CHOQUE ELÉCTRICO.

- Quite el precorte removible que está en la caja de terminales e instale un protector de cables de $\frac{1}{2}$ " que esté en la lista de UL o esté aprobado por CSA.



- A. Cables blancos
 B. Cables negros
 C. Conectores de cables aprobados por UL
 D. Cables verdes (o desnudos) y amarillos-verdes de puesta a tierra
 E. Cable de alimentación
 F. Sujeta cable de $\frac{1}{2}$ " (aprobado por UL o CSA)

- Ejecutar 3 cables; negro, blanco y verde, según el Código Eléctrico Nacional y los códigos y ordenanzas locales, en conducto de $\frac{1}{2}$ " desde el panel de servicio hasta la caja de conexiones.

⚠ ADVERTENCIA

PELIGRO DE CHOQUE ELÉCTRICO.

⚠ ADVERTENCIA

CONECTE EL MOTOR A TIERRA. CONECTE EL CABLE DE TIERRA AL CABLE VERDE Y AMARILLO DE CONEXIÓN A TIERRA EN LA CAJA DE TERMINALES. NO SEGUIR ESTAS INSTRUCCIONES PUEDE OCASIONAR LA MUERTE O CHOQUE ELÉCTRICO.

- Conecte el cable negro del panel de servicio a negro o rojo en la caja de conexiones, blanco a blanco y verde a verde-amarillo.
- Cierre y asegure nuevamente la cubierta de la caja de terminales.

Complete la instalación

Vuelva a colocar los filtros.

Verifique el funcionamiento de la campana.

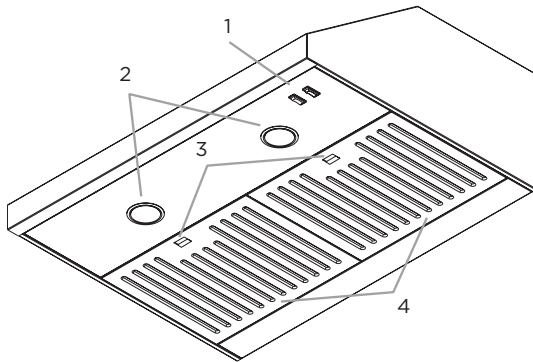
Si la campana extractora no funciona:

- Verifique que los cables estén bien conectados o no esté fundido algún fusible en casa.
- Desconecte el suministro eléctrico. Compruebe si el cableado es correcto.

Para conseguir el funcionamiento más eficaz de la nueva campana extractora, lea la sección "Mantenimiento".

Para disponer de una referencia sencilla, siga las Instrucciones de instalación y la Guía de uso y mantenimiento.

Descripción de la campana



1. Controles de lámpara y motor
2. Lámparas LED
3. Manija de filtro de grasa
4. Filtro para grasa

Control

Esta campana está diseñada para remover humo, vapores de cocina y olores del área de cocina. Para mejores resultados, encienda la campana antes de cocinar y permita que opere algunos minutos después de haber terminado de cocinar para dispersar todo el humo y olores de la cocina.



Ventilador Low / OFF / Hi



Lámpara ON / OFF

Switch de lámparas

- Presione la posición ON del switch para encender las lámparas y OFF para apagarlas.

Switch de motor

- Presione el switch en la velocidad deseada: OFF (apagado), LOW (baja) o HI (alta). Utilice siempre la velocidad alta cuando esté cocinando.

Mantenimiento

Limpieza

No rocíe limpiadores directamente al control mientras limpia la capucha. La campana de cocina debe limpiarse regularmente al menos con la misma frecuencia con la que realiza el mantenimiento de los filtros de grasa) interna y externamente. Limpiar utilizando el paño humedecido con detergente líquido neutro. No utilice productos abrasivos. No use limpiadores a base de cloro.

¡NO USE ALCOHOL!

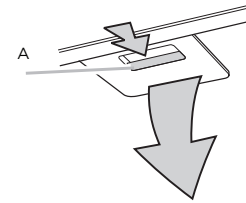
¡ATENCIÓN!

El incumplimiento de las recomendaciones de limpieza básicas de la campana extractora y la sustitución de los filtros pueden provocar riesgos de incendio.

Por lo tanto, recomendamos observar estas instrucciones. El fabricante declina toda responsabilidad por cualquier daño al motor o cualquier daño por incendio relacionado con un mantenimiento inadecuado o el incumplimiento de las recomendaciones de seguridad anteriores.

Filtro de grasa de aluminio:

- Retire el filtro tirando de la palanca de liberación del resorte y luego tirando hacia abajo del filtro.



A. Seguro de liberación del filtro

- Lave los filtros de grasa de aluminio según sea necesario en el lavaplatos o solución detergente caliente.
- Vuelva a instalar el filtro asegurándose de que el resorte de liberación las asas están hacia el frente. Inserte el filtro de aluminio en pista superior.
- Empuje hacia dentro la palanca de liberación del resorte.
- Empuje hacia arriba el filtro de aluminio y suelte la manija para enganchar en su lugar.

Reemplazo de la lámpara LED

Las luces LED son reemplazables por un técnico de servicio solamente. Consulte la información de contacto del servicio en esta página a continuación.

PARA OBTENER SERVICIO DENTRO DE GARANTÍA

El propietario debe presentar su recibo original de la compra. Guarde por favor una copia de su recibo de compra como prueba, para recibir el servicio dentro del periodo de garantía.

PARTES Y GARANTÍA DE SERVICIO

Por el periodo de dos (2) años desde la fecha original de la compra, Elica proveerá, gratuitamente, partes no-consumibles o componentes que hayan fallado debido a defectos de fabricación. Durante estos dos (2) años de garantía limitada, Elica también proveerá gratuitamente, todo el servicio en casa y mano de obra necesaria para reemplazar cualquier parte defectuosa.

QUÉ NO ESTÁ CUBIERTO

- Daños o fallas del producto causados por accidente o actos de Dios, tales como inundaciones incendios o terremotos.
- Daños o fallas causadas por alteración del producto o por el uso de partes no-originales.
- Daños o fallas del producto causados durante la entrega, manejo o instalación.
- Daños o fallas del producto causados por abuso del usuario.
- Daños o fallas del producto causados por reemplazo de fusibles dañados o reseteo de interruptor de circuito.
- Daño o fallas causados por el uso del producto en un ambiente comercial (no doméstico).
- Viajes de servicio para proporcionar orientación de uso o instalación.
- Bombillas, filtros de carbón o metal y cualquier otra parte consumible.
- Desgaste normal.
- Desgaste terminal debido a abusos del usuario, mantenimiento inadecuado, uso de productos / toallas de limpieza corrosivos o abrasivos y por uso de limpiadores para hornos.

QUIÉN ESTÁ CUBIERTO

Esta garantía se extiende al comprador original de productos adquiridos para uso residencial en Norte América (incluyendo Estados Unidos, Guam, Puerto Rico, Islas Vírgenes de EU y Canadá).

Esta garantía no es transferible y aplica solamente al comprador original y no se extiende a propietarios subsecuentes del producto. Esta garantía se expresa en lugar de otras garantías, expresadas o implicadas, incluyendo, pero no limitada a ninguna garantía implicada de comercialización o adaptada para propósitos particulares y cualquier otra obligación por parte de Elica North America, considerando, sin embargo, que si la negación de garantías implícitas es inefectiva bajo la ley aplicable, la duración de cualquier garantía implícita será limitada a dos (2) años desde la fecha original de compra o por el periodo necesario como sea requerido por la ley aplicable.

Esta garantía no cubre cualquier daño especial, incidental y/o consecuente, ni pérdidas de ganancias, sufridas por el comprador original, sus clientes y/o usuarios del producto.

A QUIÉN CONTACTAR

Para obtener Servicio bajo Garantía o para cualquier pregunta relacionada a Servicio:

Favor de llamar a:

- Servicio Elica North America, llame a 1-888 732 8018
- Para el Este de Canadá, llame a Servicios AGI a 1-888 651 2534. Pregunte por el *Departamento de Servicio al Cliente*
- elica@servicepower.com