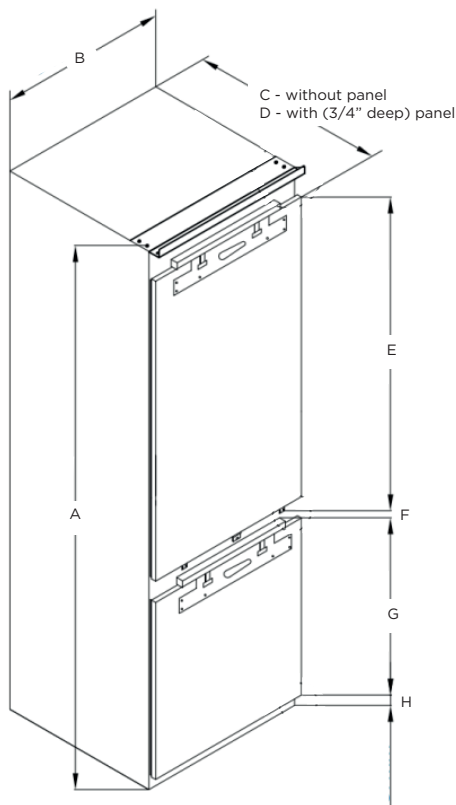


Dolomite 28"

Specification sheet

Bottom-mount, Built-In / Panel Ready refrigeration

MEASUREMENTS



DESCRIPTION

Upgrade your kitchen with the perfect blend of style, functionality, and innovation. Introducing our 28" Panel Ready Refrigerator with Bottom Mount Freezer boasting a convenient 12 CuFt Capacity.

It is more than an appliance; it's a statement of modern living with large storage space, adjustable temperature and perfect preservation for your food.

Elevate your kitchen with a seamlessly integrated appliance with Panel Ready Capabilities and unique 3D adjustment for perfect flush installation.



ER28SRB12IPR ER28SRB12XPR

	ER28SRB12IPR	ER28SRB12XPR
A	76	1/4" (193.7 cm)
B	27	3/16" (69 cm)
C	21	5/8" (55 cm)
D	22	3/8" (56.9 cm)
E	48	1/2" (123.2 cm)
F		1/4" (0.7 cm)
G	26	1/16" (66.1 cm)
H	1	7/16" (3.7 cm)

FEATURES

- Articulated hinge
- Quiet operation
- Panel ready
- Eco-mode
- Smart storage

GENERAL PROPERTIES

Width	28" Unit
Model	ER28SRB12IPR (with/ice)** ER28SRB12IPR (with out/ice)
Dimensions	27 ³ / ₁₆ " W x 21 ⁵ / ₈ " D x 76 ¹ / ₄ " H
Cut Out Dimensions	28 ¹ / ₁₆ " W x 22 ¹ / ₁₆ " D x 76 ⁷ / ₁₆ " H
Weight	187 lbs (Net) - 197 lbs (Packaged)
Installation type	Built-In, Bottom Mount
Door Finish	Panel ready
Reversible Door	Field Reversible
Interior Finish	White plastic liner
Hinge Design	Articulating 90° opening flush hinge
Refrigerant type	R600A
Compressor	Variable Speed with Inverter
Total Capacity	12.0 cuft
Noise	Ultra Quiet 39 db(A)
Lighting	LED 6500K 200 lumens, 50 lumen for Freezer.
Controls	Electronic Soft-Touch Digital Black Glass display

ELECTRIC DATA

Electric	115V/60 Hz
Plug Type	NEMA 5-15 P plug
Power Cord Length	6.25 feet
Energy consumption	495 kw/year

REFRIGERATION ZONE

Fridge Capacity	9.0 cuft
Temperature range	+35°F (2°C) to 46°F (8°C) Chiller drawer 30°F (-1°C) to 41°F(5°C)
Shelving	3 Height adjustable cantilever Spill-Proof Glass shelves
Drawers	1 Humidity control Drawer + 1 Chiller Adjustable Temp Drawer
Door Storage	4 Height adjustable Bins

FREEZER ZONE

Freezer Capacity	3.0 cuft
Temperature range	+5°F (-15°C) to -11°F(-24°C)
Drawers	1 Large Freezer drawer 2 Medium Freezer drawer
IceMaker** (Depending on model)	Interior Automatic Icemaker (3.9 lbs/day with basket capacity 5 lbs)

OTHER FEATURES

Sabbath & Holiday Mode
ECO Mode
Soft close crisper & pantry drawers
Ultra Quiet operation
True Flush Install - 3D door adjustment
Cool Day LED interior light side walls & ceiling
Total NO-Frost fridge and freezer

KITS

Pro Handle Stainless Steel Kit	EPHKBSS
Tubular Handle Stainless Steel Kit	ETHKBSS

WARRANTY:¹ Two (2) Years Parts & In-Home Labor. Earn an additional One (1) Year of Parts & In-Home Labor by registering on elica.com



The product images shown are for illustration purposes only and may not be an exact representation of the product.
¹ For valid warranty extension, register within 3 months from purchase. For USA & Canada Users Only.